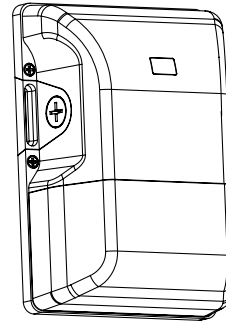


WPM™ Series

Slim Mini LED Wall Pack

Includes: WPM-15, WPM-20

aleo™
LED LIGHTING



INSTALLATION INSTRUCTIONS

READ AND FOLLOW ALL SAFETY INSTRUCTIONS

WARNING

FAILURE TO FOLLOW THESE INSTRUCTIONS AND WARNINGS MAY RESULT IN SERIOUS INJURY OR DAMAGE TO PROPERTY

For your safety, thoroughly read these instructions and warnings in its entirety prior to installing or servicing this product. These instructions do not attempt to cover all installation and maintenance circumstances. If you do not understand these instructions or if additional information is needed, please contact Aleo Lighting customer service.

WARNING

RISK OF FIRE OR ELECTRIC SHOCK

This product must be installed and serviced by a professional electrician in accordance with applicable federal, state, and local laws, regulations, and electrical code. If not qualified, do not attempt installation of this product. Contact a qualified electrician.

WARNING

RISK OF FIRE, ELECTRIC SHOCK, or PERSONAL INJURY

To avoid risk of electrical shock, turn off power before installing or servicing.

Verify that supply voltage is correct by comparing with the input voltage on the luminaire label

Make all electrical and ground connections in accordance with NEC and any applicable code requirements

WARNING

RISK OF PERSONAL INJURY

To prevent wiring damage or abrasion, do not expose wiring to edges of sheet metal or other sharp objects
Do not make or alter any open holes in any of the enclosures with wiring or electrical components during installation

SAVE THESE INSTRUCTIONS FOR FUTURE REFERENCE

WARNING

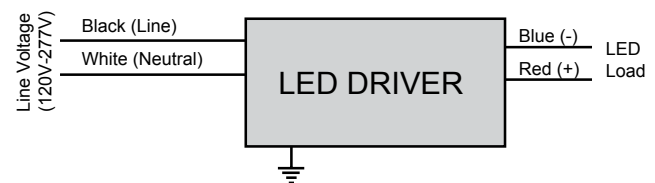
This luminaire is made for permanent installation in ordinary (non-hazardous) locations in accordance with NEC code and all applicable local and federal codes. Do not use in applications with limited ventilation or high ambient temperature enclosures.

TURN OFF POWER BEFORE INSTALLING

Electrical Connection

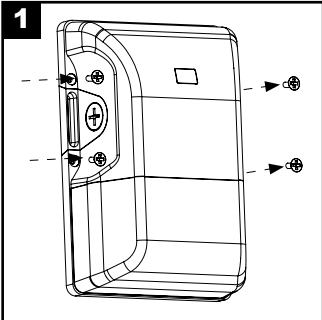
1. Connect BLACK (line) driver lead to voltage supply Line position (HOT).
2. Connect driver WHITE lead to the NEUTRAL supply position.
3. Connect the GREEN ground lead to the supply ground lead.

Wiring Diagram

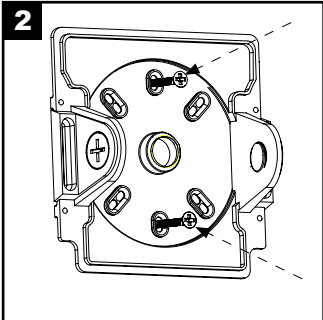


TO INSTALL:

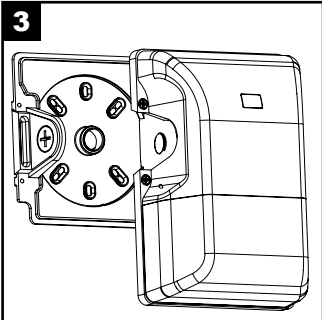
Junction Box Mounting



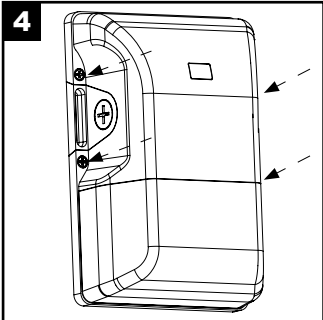
Loosen the four (4) screws found on the sides of the fixture, removing the back quick-mount plate from the fixture housing.



Secure back quick-mount plate to J-Box. Make sure to place adhesive gasket between mounting plate and J-Box/Wall.

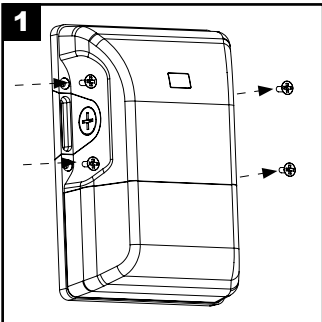


Make electrical connections to the fixture. SEE PAGE 1 for Electrical Connection and wiring diagram instructions.

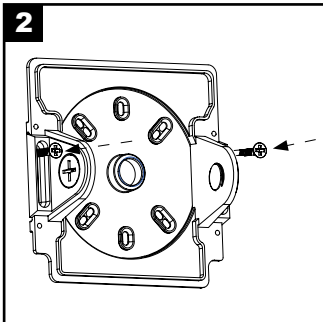


Fasten the (4) screws in place securing the fixture housing to the quick-mount plate.

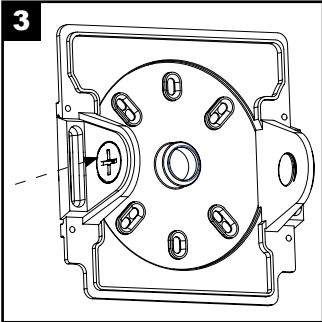
Surface Wall-Mount with Side Entry Conduit



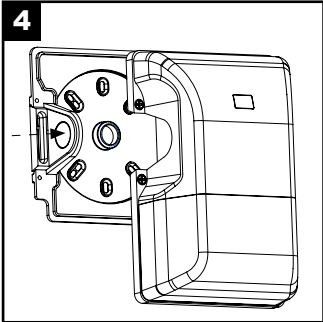
Loosen the four (4) screws found on the sides of the fixture, removing the back quick-mount plate from the fixture housing.



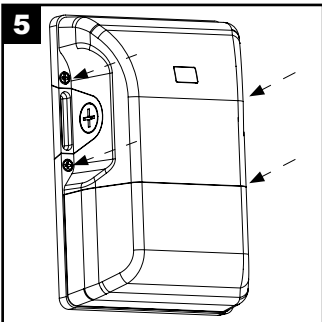
Secure back quick-mount plate to wall, using (2) screws. Make sure to place adhesive gasket between mounting plate and wall.



Remove 1/2" conduit plug and feed conduit into side-entry hole.



Make electrical connections to the fixture. SEE PAGE 1 for Electrical Connection and wiring diagram instructions.



Fasten the (4) screws in place securing the fixture housing to the quick-mount plate.



© 2018 Aleo Lighting, Inc. All rights reserved. For informational purposes only. Reproduction in whole or part is prohibited without prior written consent of the copyright owner. The information presented in this document does not form part of any quotation or contract, is believed to be accurate and reliable and may be changed without notice. No liability will be accepted by the publisher for any consequences of its use.

Aleo Lighting, Inc.
www.aleoighting.com
13924 Bettencourt St.
Cerritos, CA 90703
Ph: 877-358-8825