



Project	
Notes	
Type	Date
Cat. No.	

WPM™ UX Series

Slim Mini LED Wall Pack Luminaire



DESCRIPTION

The Aleo WPM™ Series combines energy-efficiency, high performance, and rugged construction with a slim profile. Designed look to deliver enhanced performance to outdoor wall-mounted lighting applications. Rugged die-cast housing provides advanced thermal management for long life and weather-proof compartment to withstand challenging, outdoor environments.

APPLICATIONS

Outdoor wall-mount applications. Building facade. Retail, commercial, Industrial exteriors, School Campuses.

Specification Features



Construction

Rugged, die-cast housing with advanced thermal management system ensures reliability and durability. Weather-proof, gasketed compartment protects electronics against environmental elements. Dark Bronze finish. IP65 Wet Location Rated.

Optical System

High performance LED platforms delivers high efficiency and long life. Frosted prismatic glass lens designed for superior light distribution and uniformity. Type IV comes standard.

Certification

UL Listed. All components have safety certification.

Warranty

7-year Limited Warranty. See warranty documentation for more information.

Electrical

Luminaire utilizes high-efficacy LED packages maintained at cool temperatures for long life, high efficacy. Reliable driver features universal voltage (120-277V) for convenient installation.

Installation / Mounting

Designed to be wall-mounted. Luminaire to be mounted directly over standard 4" junction box (supplied by others) or surface mount and wiring connection through convenient 1/2" threaded conduit entry hub on wall pack sides.

Photocell

Comes Standard with built-in dusk-to-dawn photocell.

Field-Adjustable CCT / Wattage

Increased versatility and reduced inventory burden. Wattage and Color Temp. can be adjusted in the field by selecting (3) different wattages and (3) different CCTs via switch inside the housing.

WPM Series

10W / 15W / 20W

Rated Life 75,000 hours
Limited Warranty 7-years
Efficacy Up to 140 LPW



Quick Ship

WPM-20UX/CT
 WPM-20UX/CT WH

Ordering Information

Example: WPM-20UX/CT

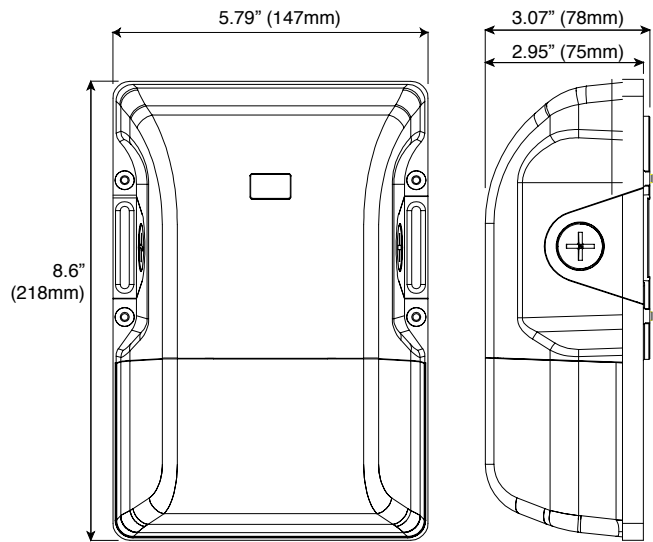
WPM	20	UX	CT	[Blank]	[Blank]
Series	Nominal Max Wattage	Lumen Package	Color Temp	Controls	Finish
WPM Slim Mini LED Wall Pack	20 10W/15W/20W	UX Field Adjustable Wattage	CT Field Adjustable 3000K 4000K 5000K	Blank Photocell (Built-in)	Blank Dark Bronze RAL#8019 WH White RAL#9003
Options					
Designation					
BAA Buy American Act Compliant			BABAA Build America, Buy America Act Compliant		

Specifications and Dimensions subject to change without notice.

Performance Summary

Input Voltage	120V-277V
Input Frequency	50/60 Hz
Rated Wattage	See Performance Table
Delivered Lumens	See Performance Table
Efficacy	140 LPW (typ.)
CRI	80+, R9 > 0
Available CCT ¹	3000K, 4000K, 5000K
Rated Life	75,000 hours
Power Factor	> 0.9
THD	< 20%
IP Rating	IP65
Photometric Distribution	Type IV
Operating Temp.	-40°C to 45°C

Product Dimensions



Performance Data

Catalog No.	Rated Wattage (W)	3000K		4000K		5000K	
		Delivered Lumens (lm)	Efficacy (lm/W)	Delivered Lumens (lm)	Efficacy (lm/W)	Delivered Lumens (lm)	Efficacy (lm/W)
WPM-20UX/CT	10	1,380	138	1,450	145	1,400	140
	15	2,055	134	2,160	144	2,085	139
	20	2,720	136	2,860	143	2,760	138



© 2024 Aleo Lighting, Inc. All rights reserved. For informational purposes only. Reproduction in whole or part is prohibited without prior written consent of the copyright owner. The information presented in this document does not form part of any quotation or contract, is believed to be accurate and reliable and may be changed without notice. No liability will be accepted by the publisher for any consequences of its use. Aleo Lighting reserves the rights make changes in specification at any time without notice.