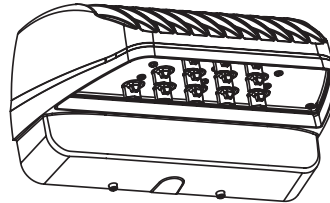


WPL™ Series

LED Wall Pack

Includes: WPL-13, WPL-18, WPL-22, WPL-30, WPL-42

aleo™
LED LIGHTING



INSTALLATION INSTRUCTIONS

READ AND FOLLOW ALL SAFETY INSTRUCTIONS

WARNING

FAILURE TO FOLLOW THESE INSTRUCTIONS AND WARNINGS MAY RESULT IN SERIOUS INJURY OR DAMAGE TO PROPERTY

For your safety, thoroughly read these instructions and warnings in its entirety prior to installing or servicing this product. These instructions do not attempt to cover all installation and maintenance circumstances. If you do not understand these instructions or if additional information is needed, please contact Aleo Lighting customer service.

WARNING

RISK OF FIRE OR ELECTRIC SHOCK

This product must be installed and serviced by a professional electrician in accordance with applicable federal, state, and local laws, regulations, and electrical code. If not qualified, do not attempt installation of this product. Contact a qualified electrician.

WARNING

RISK OF FIRE, ELECTRIC SHOCK, or PERSONAL INJURY

To avoid risk of electrical shock, turn off power before installing or servicing.

Verify that supply voltage is correct by comparing with the input voltage on the luminaire label

Make all electrical and ground connections in accordance with NEC and any applicable code requirements

WARNING

RISK OF PERSONAL INJURY

To prevent wiring damage or abrasion, do not expose wiring to edges of sheet metal or other sharp objects
Do not make or alter any open holes in any of the enclosures with wiring or electrical components during installation

SAVE THESE INSTRUCTIONS FOR FUTURE REFERENCE

WARNING

This luminaire is made for permanent installation in ordinary (non-hazardous) locations in accordance with NEC code and all applicable local and federal codes. Do not use in applications with limited ventilation or high ambient temperature enclosures.

TURN OFF POWER BEFORE INSTALLING

Electrical Connection

1. Connect BLACK (line) driver lead to voltage supply Line position (HOT).
2. Connect driver WHITE lead to the NEUTRAL supply position.
3. Connect the GREEN ground lead to the supply ground lead.

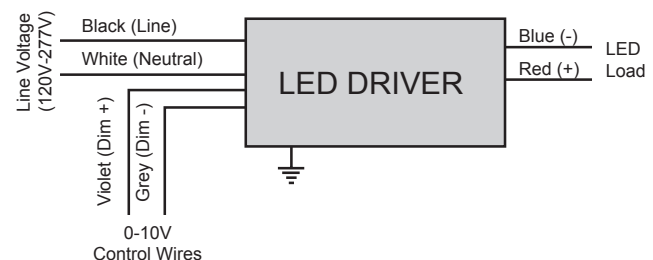
If using 0-10V dimming:

4. Connect VIOLET lead to supply POSITIVE dimming lead.
5. Connect GREY lead to the supply NEGATIVE dimming lead.

If NOT using 0-10V dimming:

6. Ensure VIOLET and GREY 0-10V dimming leads are properly capped.

Wiring Diagram



TO INSTALL:

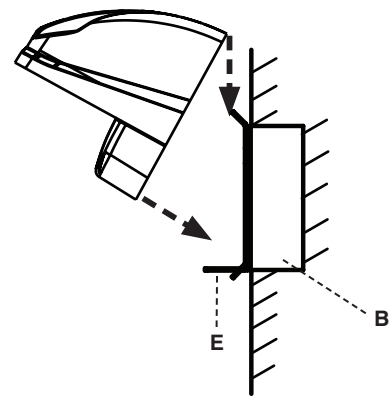
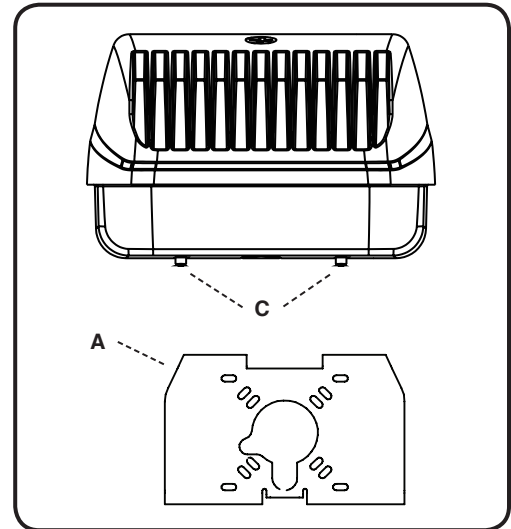
This product SHALL be surface mounted with recessed junction box above 4 feet (1.2 meter) high.

User should prepare necessary accessories and spare parts (not provided) including junction box, cross bar, junction box gasket, wall fasteners and anchors, silicone caulk.

- A: Mounting Plate
- B: Junction Box
- C: Set Screws (x2)
- D: Casting Plug Knockout
- E: Mounting Plate Hole

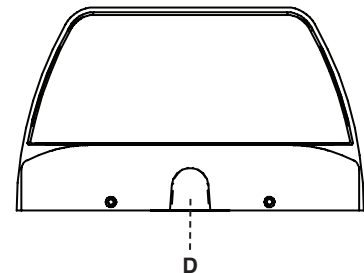
Surface Mount with Junction Box

1. Attach Mounting Plate (A) using appropriate hardware (supplied by others). **INSTALLER IS RESPONSIBLE FOR ENSURING PROPER FIXTURE ATTACHMENT, INCLUDING SEALING TO THE JUNCTION BOX.**
2. Pull input lead wires through mounting plate hole
NOTE: pay special attention to NOT to damage insulation of wires.
3. Wire AC main leads to fixture input leads. Make all electrical connections to the fixture.
SEE PAGE 1 for Electrical Connection and wiring diagram instructions.
4. Push wire connections back inside the Junction Box
5. Angle fixture and slide onto mounting plate into the matching slots on the back plate; situate fixture into place on the mounting plate
6. Ensure no wires are being pinched by the fixture's metal parts
7. Tighten the (2) set screws (C) located at the bottom of the fixture until fixture is securely fastened
8. Apply caulk or other sealant (supplied by others) to top and sides of fixture where it meets the wall



Surface Mount with Conduit

1. Slide conduit tube through Mounting Plate Hole (E) and secure using conduit nut. **INSTALLER IS RESPONSIBLE FOR ENSURING PROPER FIXTURE ATTACHMENT, INCLUDING SEALING TO THE JUNCTION BOX.**
2. Remove Casting Plug Knockout (D) from bottom of fixture
3. Wire AC main leads to fixture input leads. Make all electrical connections to the fixture.
SEE PAGE 1 for Electrical Connection and wiring diagram instructions.
4. Push wire connections into lower portion of fixture below the backplate
5. Angle fixture and slide onto mounting plate into the matching slots on the back plate; situate fixture into place on the mounting plate
6. Ensure no wires are being pinched by the fixture's metal parts
7. Tighten the (2) set screws (C) located at the bottom of the fixture until fixture is securely fastened
8. Apply caulk or other sealant (supplied by others) to top and sides of fixture where it meets the wall



aleo™
LED LIGHTING

Aleo Lighting, Inc.
www.aleolighting.com
13924 Bettencourt St.
Cerritos, CA 90703
Ph: 877-358-8825