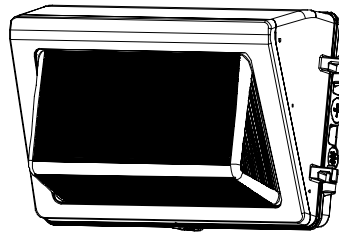


WPE™ (TAA) Series

LED Wall Pack

Includes: WPE-80UX/CT (TAA),
WPE-120UX/CT (TAA)

aleo™
LED LIGHTING



INSTALLATION INSTRUCTIONS

READ AND FOLLOW ALL SAFETY INSTRUCTIONS

WARNING

FAILURE TO FOLLOW THESE INSTRUCTIONS AND WARNINGS MAY RESULT IN SERIOUS INJURY OR DAMAGE TO PROPERTY

For your safety, thoroughly read these instructions and warnings in its entirety prior to installing or servicing this product. These instructions do not attempt to cover all installation and maintenance circumstances. If you do not understand these instructions or if additional information is needed, please contact Aleo Lighting customer service.

WARNING

RISK OF FIRE OR ELECTRIC SHOCK

This product must be installed and serviced by a professional electrician in accordance with applicable federal, state, and local laws, regulations, and electrical code. If not qualified, do not attempt installation of this product. Contact a qualified electrician.

WARNING

RISK OF FIRE, ELECTRIC SHOCK, or PERSONAL INJURY

To avoid risk of electrical shock, turn off power before installing or servicing.

Verify that supply voltage is correct by comparing with the input voltage on the luminaire label

Make all electrical and ground connections in accordance with NEC and any applicable code requirements

WARNING

RISK OF PERSONAL INJURY

To prevent wiring damage or abrasion, do not expose wiring to edges of sheet metal or other sharp objects
Do not make or alter any open holes in any of the enclosures with wiring or electrical components during installation

SAVE THESE INSTRUCTIONS FOR FUTURE REFERENCE SUITABLE FOR WET LOCATION

WARNING

This luminaire is made for permanent installation in ordinary (non-hazardous) locations in accordance with NEC code and all applicable local and federal codes. Do not use in applications with limited ventilation or high ambient temperature enclosures.

TURN OFF POWER BEFORE INSTALLING

Electrical Connection

1. Connect BLACK (line) driver lead to voltage supply Line position (HOT).
2. Connect driver WHITE lead to the NEUTRAL supply position.
3. Connect the GREEN ground lead to the supply ground lead.

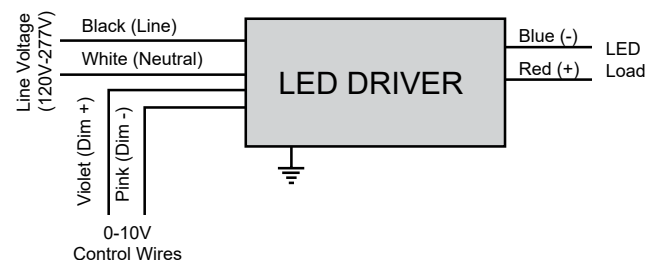
If using 0-10V dimming:

4. Connect VIOLET lead to supply POSITIVE dimming lead.
5. Connect PINK lead to the supply NEGATIVE dimming lead.

If NOT using 0-10V dimming:

6. Ensure VIOLET and PINK 0-10V dimming leads are properly capped.

Wiring Diagram



WPE™ (TAA) Series LED Wall Pack

TOINSTALL:

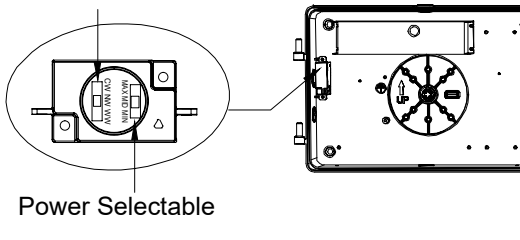
Tools Required

Phillips Screw Driver
Wire Cutter/Stripper
Gloves
Electric Hand Drill



Field-Adjustable Wattage & CCT

CCT Selectable



Power Selectable

This product SHALL be surface mounted with a recessed junction box (supplied by others) above 4 feet (1.2 meter) high.

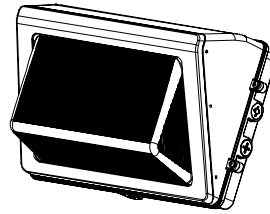
User should prepare necessary accessories and spare parts (not provided) including junction box, cross bar, junction box gasket, surface plate and screws.

NOTE: This fixture is intended for use with conduit connectors, conduit, and junction box that are UL listed suitable for wet locations and are properly installed and grounded.

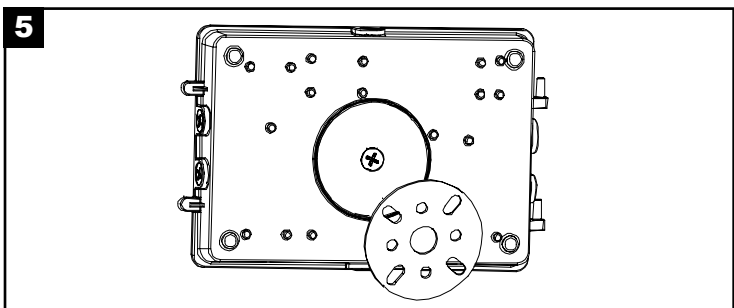
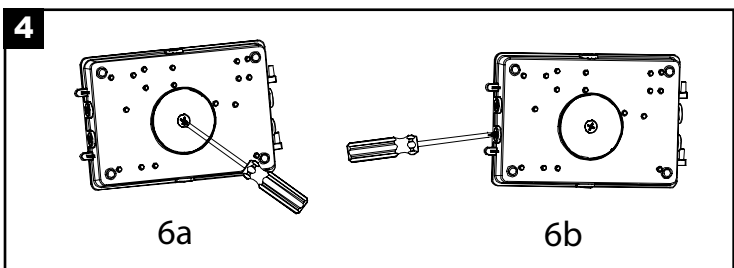
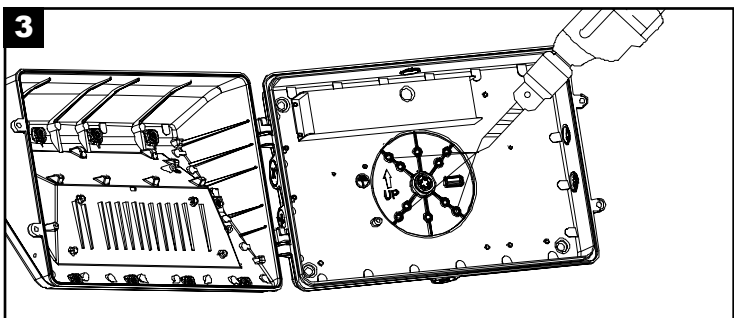
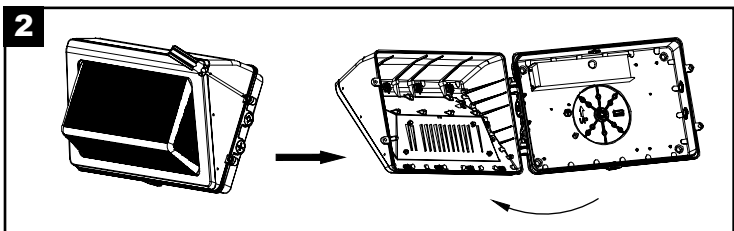
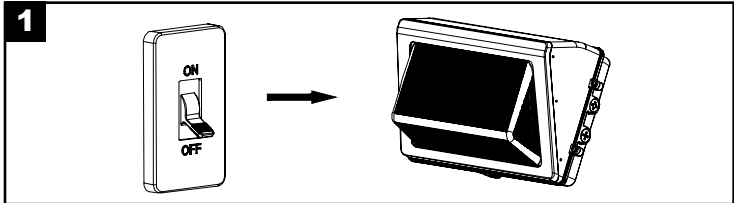
1. Ensure that power is turned off at appropriate circuit breaker. Carefully unpack fixture from packaging and inspect for any damage caused in shipping.
2. Use a screwdriver to loosen two (2) screws to open the fixture.
3. Drill through the appropriate mounting holes to mount fixture to wall surface.
4. Use a screwdriver to remove coin plug.
NOTE: Diagram 6A is for junction box installation (remove the bottom plug) and Diagram 6B is for conduit mounting (remove the side plug).
5. Attach the self-adhesive EVA gasket to the back of the housing to cover the junction box or mounting hole.

INSTALLER IS RESPONSIBLE FOR ENSURING PROPER FIXTURE ATTACHMENT AND WEATHER PROOFING, INCLUDING SEALING AND GASKETING OF CONNECTION TO PREVENT WATER INTRUSION.

Package Includes



1 pc. EVA Gasket
5 pcs. Wire Nuts



WPE™ (TAA) Series LED Wall Pack

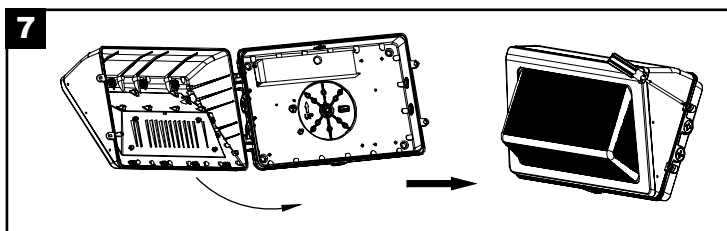
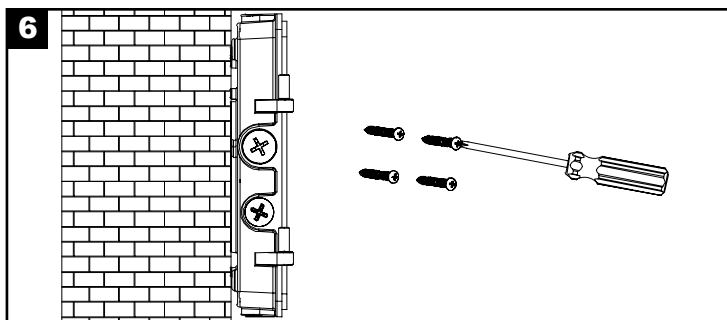
TOINSTALL:

6. **WARNING: TO AVOID RISK OF ELECTRICAL SHOCK, TURN OFF POWER BEFORE INSTALLING OR SERVICING.**

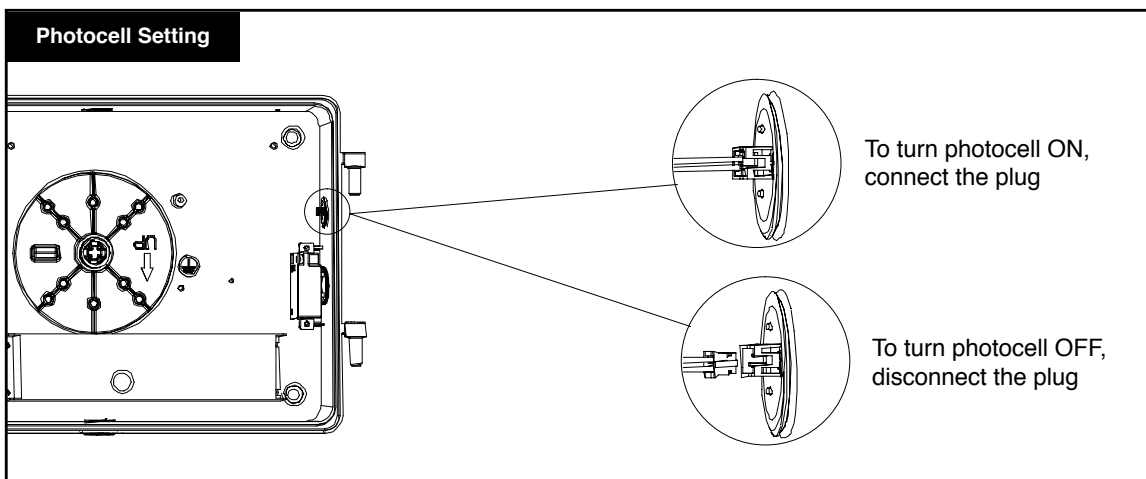
Feed AC main leads through the fixture's open hole. Align and mount the fixture to the wall surface. Wire according to Wiring Diagram (Page 1).

IMPORTANT: To weather-proof your outdoor installation, be sure to seal all mounting points, wire inlets and penetrations (Conduit, Plugs, etc.) with appropriate sealant.

7. Make sure the door gasket is properly seated around the perimeter. Close front cover and secure by tightening the two (2) screws on the side.



INSTALLER IS RESPONSIBLE FOR ENSURING PROPER FIXTURE ATTACHMENT AND WEATHER PROOFING, INCLUDING SEALING AND GASKETING OF CONNECTION TO PREVENT WATER INTRUSION.



aleo™
LED LIGHTING

Aleo Lighting, Inc.
www.aleoighting.com
10988 Bloomfield Ave.
Santa Fe Springs, CA 90670
Ph: 877-358-8825

© 2025 Aleo Lighting, Inc. All rights reserved. For informational purposes only. Reproduction in whole or part is prohibited without prior written consent of the copyright owner. The information presented in this document does not form part of any quotation or contract, is believed to be accurate and reliable and may be changed without notice. No liability will be accepted by the publisher for any consequences of its use.