

Project	
Notes	
Type	Date
Cat. No.	

## UXB™ UX Series

## Circular LED High Bay

### DESCRIPTION

The Aleo UXB™ Series, Circular High Bay, combines efficiency, robust construction, and utility to deliver a competitive and high-performance high bay solution for single-point mounting applications. The wet location / IP-rated luminaire provides a versatile solution for high mounting facilities. Delivering high output, quality light and low energy consumption, the UXB improves warehouse safety and productivity, lowers maintenance cost, and reduces operating costs

### APPLICATIONS

Provides high output illumination for various commercial industrial applications with high ceilings: warehouse, manufacturing, gymnasiums, cold-storage.



### Specification Features



### UXB UX Series

**150**  
100W/120W/150W  
**240**  
180W/200W/240W

**Rated Life** 100,000 hours  
**Limited Warranty** 7-years  
**Efficacy** Up to 150 LPW  
**Continuous Dimming**



### Quick Ship

UXB-UX-150/CT G4 ECO (SR)  
UXB-UX-240/CT G4 ECO (SR)  
UXB-UX-150/CT-HV G4 ECO (SR)  
UXB-UX-240/CT-HV G4 ECO (SR)

### Construction

Rugged, die-cast housing with advanced thermal management system ensures reliability and durability. Integrated, enclosed water-proof driver protects against environmental elements. IP65, Wet Location Rated. White Finish.

### Optical System

Polycarbonate (PC) lens provides protection and high efficiency transmission of light.

### Certification

UL Listed. Wet location rated. All components have UL certification. UL Class 2. Driver: SCP, OTP, OVP protection, FCC Part 15 Class B, UL8750 Class 2. DLC Premium. NSF/ANSI 2.

### Warranty

7-year Limited Warranty. See warranty documentation for more information.

### Sensor Ready

Center sensor receptacle for field installable plug and play occupancy sensor with daylight.

### Electrical

Luminaire utilizes high-efficacy LED packages maintained at cool temperatures for long life, high efficacy. Reliable driver features continuous dimming. Universal voltage (120-277V) and High Voltage (277-480V) for convenient installation. Comes equipped standard with 6' white SO cord.

### Installation / Mounting

Single-point hook mount (hook with screw included).

### Controls / Dimming

Continuous dimming (0-10V) comes standard. Suitable for use with dimmers, sensors, daylight harvesting and other control strategies to achieve deeper energy-savings and code compliance.

### Field-Adjustable CCT / Wattage

Increased versatility and reduced inventory burden. Wattage and Color Temp. can be adjusted in the field by selecting (3) different wattages and (2) different CCTs via switch inside the housing.

## Ordering Information

Example: UXB-UX-240/CT-HV G4 ECO (SR)

UXB	UX	240	CT	HV	[Blank]	[Blank]
<b>Series</b>	<b>Lumen Package</b>	<b>Nominal Max Wattage</b>	<b>Color Temp</b>	<b>Input Voltage</b>	<b>Dimming</b>	<b>Controls</b>
<b>UXB</b> Circular High Bay	<b>UX</b> Field Adjustable Wattage	<b>150</b> 100W/120W/150W <b>240</b> 180W/200W/240W	<b>CT</b> Adjustable CCT 4000K/5000K	<b>Blank</b> 120V-277V <b>HV</b> 277V-480V	<b>Blank</b> 1-10V Continuous Dimming	<b>(SR)</b> Sensor Ready (Plug n' Play)

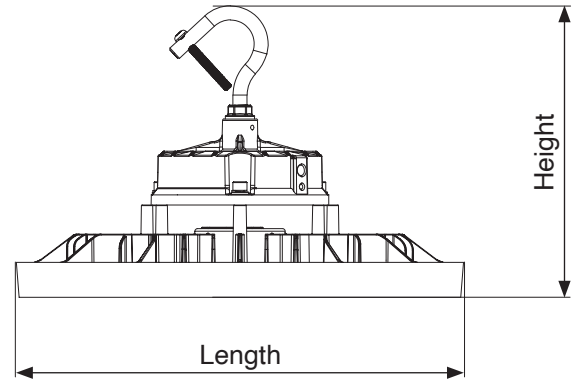
Specifications and Dimensions subject to change without notice.

Performance Summary

Input Voltage	120V-277V, 277V-480V
Input Frequency	50/60 Hz
Rated Wattage	See Performance Table
Delivered Lumens	See Performance Table
Efficacy	> 135 LPW (typ.)
CRI	80+
Available CCT	4000K/5000K
Nominal Beam Angle	90° Deg. (without Reflector)
Rated Life	100,000 hours
L70 <sup>3</sup>	100,000 hours
Power Factor	> 0.9
THD	< 20%
Dimming	0-10V Continuous
Operating Temp.	-40°C to 50°C

Product Dimensions

UXB UX



Item No.	Height	Length
UXB-UX-150/CT G4 ECO (SR)	8.23in (209mm)	12.60in (320mm)
UXB-UX-240/CT G4 ECO (SR)	8.54in (217mm)	14.76in (375mm)
UXB-UX-150/CT-HV G4 ECO (SR)	8.23in (209mm)	12.60in (320mm)
UXB-UX-240/CT-HV G4 ECO (SR)	8.54in (217mm)	14.76in (375mm)

Performance Data

Catalog No.	Rated Wattage (W)	Tested Wattage (W)	4000K		5000K	
			Delivered Lumens (lm)	Efficacy (lm/W)	Delivered Lumens (lm)	Efficacy (lm/W)
UXB-UX-150/CT G4 ECO (SR)	150	159.5	23,047.8	144.5	22,170.5	139
UXB-UX-240/CT G4 ECO (SR)	240	240.2	34,420.7	143.3	33,291.7	138.6
UXB-UX-150/CT-HV G4 ECO (SR)	150	156.1	22,259.9	142.6	21,573.0	138.2
UXB-UX-240/CT-HV G4 ECO (SR)	240	230.6	34,751.4	150.7	33,575.4	145.6

DLC QPL Data

Item No.	Product ID	Technical Req.	Classification	Primary Use
UXB-UX-150/CT G4 ECO (SR)	PL2S28MOJIK1	5.1	Premium	High-Bay Luminaires for Commercial and Industrial Buildings
UXB-UX-240/CT G4 ECO (SR)	PLHC5PS9MM4Q	5.1	Premium	High-Bay Luminaires for Commercial and Industrial Buildings
UXB-UX-150/CT-HV G4 ECO (SR)	PL6TXSEGGICT	5.1	Premium	High-Bay Luminaires for Commercial and Industrial Buildings
UXB-UX-240/CT-HV G4 ECO (SR)	PLRTN0X8YGPQ	5.1	Premium	High-Bay Luminaires for Commercial and Industrial Buildings



NOTES:

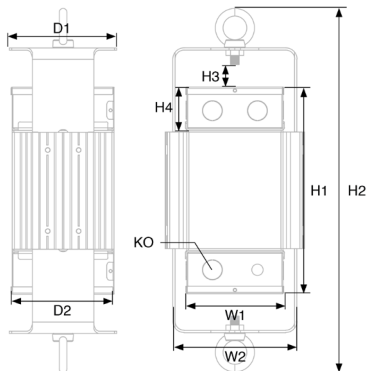
- Quick ship: 4000K/5000K. Other CCTs may require a lead time or be special order
- Typical color consistency. May vary or be changed.
- L70 hours calculated based on LED package manufacturer LM80 report and ISTMT report of LED in luminaire. Stated values are for select catalog numbers. Contact manufacturer for detailed information

Specifications and Dimensions subject to change without notice.

Emergency Battery Backup

Item No.: **EM-UFO-V200-UNV-H-FI-30**

For Field Install UFO EM LED Driver, 30W max., 120V-277V input, min. 90 min, dual J-Box with eyebolts



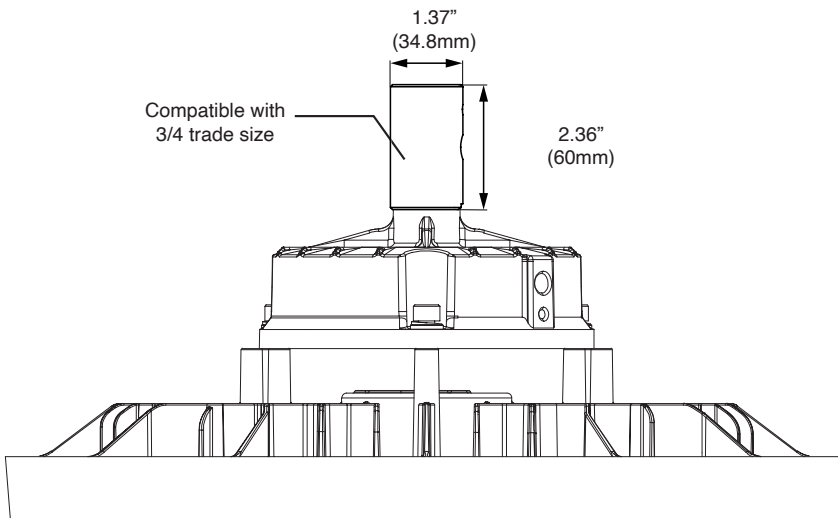
Enclosure (in. ±1)	EM Driver (in.)
Width (W1)	4.21"
Width (W2)	6.10"
Height (H1)	8.54"
Height (H2)	15.94"
Height (H3)	0.98"
Depth (D1)	4.69"
J-Box Size	
Width (W1)	4.21"
Height (H4)	1.55"
Depth (D2)	4.69"
Knock Out (KO)	1/2 Trade Size (0.85")



Junction Box Accessory

Item No.: **UXB-ADP-3/4NPT**

3/4" NPT adapter for UXB ECO High Bay, White Finish



Accessory Options



Plug and Play Sensor Order Codes:

**SHF-OSDL/IR-PP2-LV1-10V-B01:** Multi-level High Frequency Occ Sensor w/ Photocell Function, Plug and Play spring-loaded 3-pin port, IR remote setting.

**SPIR-OSDL/IR-PP2-LV1-10V-B02:** Multi-level Passive Infrared Occ Sensor w/ Photocell Function, Plug and Play spring-loaded 3-pin port, IR remote setting