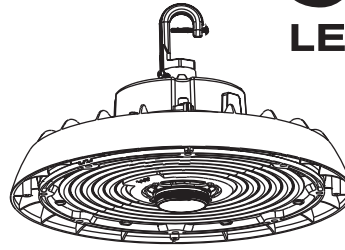


## UXB™ UX G5 Series

### Circular LED High Bay



## INSTALLATION INSTRUCTIONS

READ AND FOLLOW ALL SAFETY INSTRUCTIONS

### WARNING

**FAILURE TO FOLLOW THESE INSTRUCTIONS AND WARNINGS MAY RESULT IN SERIOUS INJURY OR DAMAGE TO PROPERTY**

For your safety, thoroughly read these instructions and warnings in its entirety prior to installing or servicing this product. These instructions do not attempt to cover all installation and maintenance circumstances. If you do not understand these instructions or if additional information is needed, please contact Aleo Lighting customer service.

### WARNING

#### RISK OF FIRE OR ELECTRIC SHOCK

This product must be installed and serviced by a professional electrician in accordance with applicable federal, state, and local laws, regulations, and electrical code. If not qualified, do not attempt installation of this product. Contact a qualified electrician.

### WARNING

#### RISK OF FIRE, ELECTRIC SHOCK, or PERSONAL INJURY

To avoid risk of electrical shock, turn off power before installing or servicing.

Verify that supply voltage is correct by comparing with the input voltage on the luminaire label

Make all electrical and ground connections in accordance with NEC and any applicable code requirements

### WARNING

#### RISK OF PERSONAL INJURY

To prevent wiring damage or abrasion, do not expose wiring to edges of sheet metal or other sharp objects  
Do not make or alter any open holes in any of the enclosures with wiring or electrical components during installation  
Please use listed water proof strain relief bushing when connecting the supply cord to the outlet box

## SAVE THESE INSTRUCTIONS FOR FUTURE REFERENCE

Suitable for Wet Location

### WARNING

This luminaire is made for permanent installation in ordinary (non-hazardous) locations in accordance with NEC code and all applicable local and federal codes. Do not use in applications with limited ventilation or high ambient temperature enclosures.

### TURN OFF POWER BEFORE INSTALLING

#### Electrical Connection

1. Connect BLACK (line) driver lead to voltage supply Line position (HOT).
2. Connect driver WHITE lead to the NEUTRAL supply position.
3. Connect the GREEN ground lead to the supply ground lead.

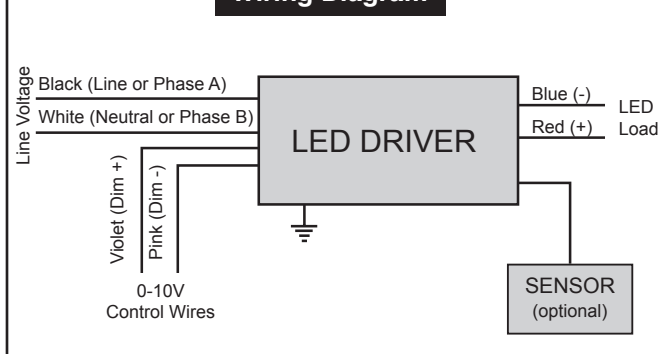
#### If using 0-10V dimming:

4. Connect VIOLET lead to supply POSITIVE dimming lead.
5. Connect PINK lead to the supply NEGATIVE dimming lead.

#### If NOT using 0-10V dimming:

6. Ensure VIOLET and PINK 0-10V dimming leads are properly capped.

#### Wiring Diagram



# UXB™ UX Series Circular LED High Bay

## TO INSTALL:

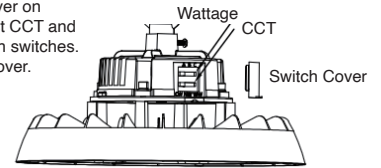
NOTE: This product is intended to be suspended using the included hook.

### A Suspended Hook Mounting

1. Ensure supplied hook is securely fastened to the High Bay fixture by tightening. **WARNING: FAILURE TO TIGHTEN HOOK MAY CAUSE LUMINAIRE TO FALL, RESULTING IN INJURY, DEATH, OR SERIOUS PROPERTY DAMAGE.**
2. Mount Housing with Hook to a sturdy ceiling structure or suspension kit (supplied by others).
3. Connect cord to supply wires inside a junction box using approved wire connectors. Wire AC main leads to fixture input leads. Make all electrical connections to the fixture.  
SEE PAGE 1 for Electrical Connection and wiring diagram instructions.
4. Tighten Hook with Set Screw on hook.

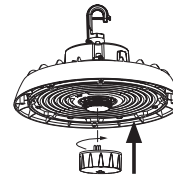
#### Field Adjustable Wattage & CCT

Remove cover on driver, adjust CCT and Wattage with switches. Re-attach cover.

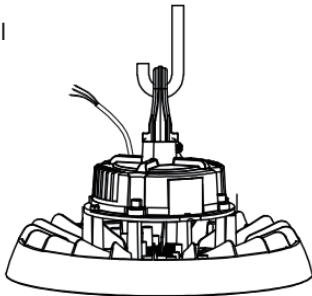


#### Plug and Play Sensor

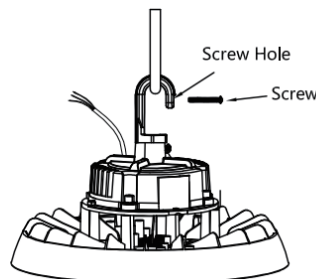
- 1) Remove sensor cover.
- 2) Plug sensor jack into port and rotate sensor clockwise until sensor base reaches the bottom.



1. Hook the chain (supplied by others) or rail securely.



2. Secure with Set Screw on hook.



### Chain Suspension

### B Reflector Installation

Reflectors sold separately.

1. Align holes inside Dome Lens with holes on the UXB fixture.
2. Fasten screws to each hole and ensure the dome is secure.

[Wire Guard installation uses the same installation method]

