



UXB™ Series

Slim Profile Circular LED High Bay

DESCRIPTION

The Aleo UXB™ Series, Circular High Bay, combines efficiency, robust construction, and utility to deliver a competitive and high-performance high bay solution for single-point mounting applications. The wet location / IP-rated luminaire provides a versatile solution for high mounting facilities. Delivering high output, quality light and low energy consumption, the UXB improves warehouse safety and productivity, lowers maintenance cost, and reduces operating costs

APPLICATIONS

Provides high output illumination for various commercial industrial applications with high ceilings: warehouse, manufacturing, gymnasiums, cold-storage.

UXB™ SERIES

150 100W / 125W / 150W

240 150W / 200W / 240W

QUICK SHIP

UXB-UX-150/CT G5 SR/RC (TAA)

UXB-UX-240/CT G5 SR/RC (TAA)

SPECIFICATION FEATURES

• CONSTRUCTION

Rugged, die-cast housing with advanced thermal management system ensures reliability and durability. Integrated, enclosed water-proof driver protects against environmental elements. IP65, Wet Location Rated. Black Finish.

• OPTICAL SYSTEM

Polycarbonate (PC) lens provides protection and high efficiency transmission of light.

• CERTIFICATION

UL Listed. Wet location rated. All components have UL certification. UL Class 2. Driver: SCP, OTP, OVP protection, FCC Part 15 Class B, UL8750 Class 2.

• SENSOR READY

Center sensor receptacle for field installable plug and play occupancy sensor with daylight. 3.5mm audio jack sensor receptacle.

• WARRANTY

7-year Limited Warranty. See warranty documentation for more information.

• ELECTRICAL

Luminaire utilizes high-efficacy LED packages maintained at cool temperatures for long life, high efficacy. Reliable driver features continuous dimming. Universal voltage (120-277V) for convenient installation. Comes equipped standard with 6' white SO cord.

• INSTALLATION / MOUNTING

Single-point hook mount (hook with screw included).

• CONTROLS / DIMMING

Continuous dimming (0-10V) comes standard. Suitable for use with dimmers, sensors, daylight harvesting and other control strategies to achieve deeper energy-savings and code compliance.

• FIELD-ADJUSTABLE CCT / WATTAGE

Increased versatility and reduced inventory burden. Wattage and Color Temp. can be adjusted in the field by selecting (3) different wattages and (3) different CCTs via switch inside the housing.

ORDERING INFORMATION

EXAMPLE: UXB-UX-240/CT G5 SR/RC (TAA)

| UXB | UX | 240 | CT | [Blank] | SR/RC | (TAA) |
|--------------------------|--------------------------------|--|---|-----------------------------------|--|--|
| Series | Lumen Package | Nominal Max Wattage | Color Temp | Dimming | Controls | TAA |
| UXB Circular High Bay | UX Field Adjustable Wattage | 150 100W / 125W / 150W 240 150W / 200W / 240W | CT Adjustable CCT 3500K/4000K/5000K | Blank 1-10V Continuous Dimming | (SR/RC) Sensor Ready w/ Sensor Receptacle See Pg. 4 for Ordering Details | (TAA) Trade Agreement Act Compliant |

Specifications and Dimensions subject to change without notice.




PERFORMANCE SUMMARY

| | | | |
|---------------------------|--------------------------|------------------------|------------------|
| Input Voltage | 120V-277V | Rated Life | 100,000 hours |
| Input Frequency | 50/60 Hz | L70 | 100,000 hours |
| Rated Wattage | See Performance Table | Power Factor | > 0.9 |
| Delivered Lumens | See Performance Table | THD | < 20% |
| Efficacy | > 140 LPW (typ.) | Dimming | 0-10V Continuous |
| CRI | 80+ | Operating Temp. | -40°C to 55°C |
| Available CCT | 3500K/4000K/5000K | IP Rating | IP65 |
| Nominal Beam Angle | 90° Deg. (w/o Reflector) | | |

PERFORMANCE DATA

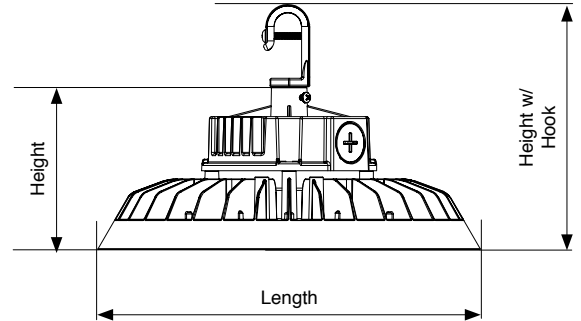
| Catalog No. | Nominal Wattage | Color Temperature | Lumens (lm) | Wattage (W) | Efficacy (lm/W) |
|-------------------------------------|-----------------|-------------------|-------------|-------------|-----------------|
| UXB-UX-150/CT G5 SR/RC (TAA) | 100 | 3500K | 14,539 | 98.5 | 147.6 |
| | | 4000K | 15,665 | 93.8 | 167.0 |
| | | 5000K | 15,053 | 98.0 | 153.6 |
| | 125 | 3500K | 17,985 | 123.1 | 146.1 |
| | | 4000K | 19,385 | 117.2 | 165.4 |
| | | 5000K | 18,632 | 122.5 | 152.1 |
| | 150 | 3500K | 21,357 | 147.7 | 144.6 |
| | | 4000K | 23,016 | 140.6 | 163.7 |
| | | 5000K | 22,108 | 146.9 | 150.5 |
| UXB-UX-240/CT G5 SR/RC (TAA) | 150 | 3500K | 22,240 | 155.2 | 143.3 |
| | | 4000K | 24,504 | 148.6 | 164.9 |
| | | 5000K | 23,189 | 154.9 | 149.7 |
| | 200 | 3500K | 29,359 | 206.9 | 141.9 |
| | | 4000K | 32,350 | 198.1 | 163.3 |
| | | 5000K | 30,603 | 206.5 | 148.2 |
| | 240 | 3500K | 34,872 | 248.2 | 140.5 |
| | | 4000K | 38,436 | 237.7 | 161.7 |
| | | 5000K | 36,338 | 247.7 | 146.7 |

¹ IMPORTANT: THE BATTERY MUST BE RECHARGED EVERY THREE (3) MONTHS. IF NOT RECHARGED ACCORDINGLY, BATTERY MAY FAIL AND VOID WARRANTY
Specifications and Dimensions subject to change without notice.



PRODUCT DIMENSIONS

| Model No. | Height w/ Hook | Height | Length |
|---------------|----------------|---------------|----------------|
| UXB-UX-150/CT | 5.55" (141mm) | 4.45" (113mm) | 11.02" (280mm) |
| UXB-UX-240/CT | 6.02" (153mm) | 4.84" (123mm) | 12.56" (319mm) |


PRODUCT OPTIONS
SENSOR OPTIONS

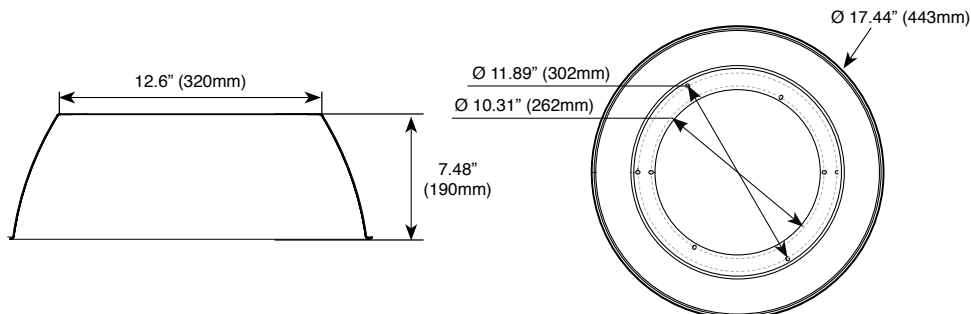
| Catalog No. | Description | Ordering | Shipping | Remote Control |
|--------------------------------|---|---------------------------|---------------|----------------|
| SPIR-OSDL/BT-PP1-DC-300 | AleoBlue, Wireless Bluetooth® PIR Occ Sensor w/ Daylight Harvesting, 12V DC input, Plug and Play 3.5mm port, 40ft high bay lens | Order and Ship Separately | Field Install | AleoBlue App |
| EFS106-AUX | SimpliBlue, PIR Occ Sensor w/ Daylight Harvesting, Plug and Play 3.5mm port, comes w/ HBL1 lens | Order and Ship Separately | Field Install | SimpliBlue App |
| EFS07-AUX | Multi-level Passive Infrared Occ Sensor w/ Photocell Function, Plug and Play 3.5mm port, IR remote setting, comes w/ HBL1 lens | Order and Ship Separately | Field Install | SRC-A01 |



SPIR-OSDL/BT-PP1-DC-300

DOME REFLECTOR ACCESSORIES

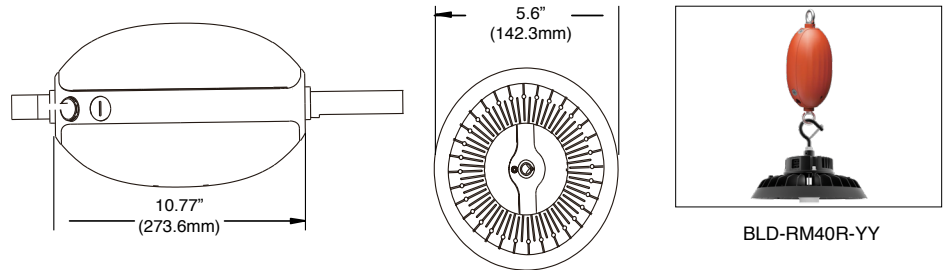
| Catalog No. | Description | Ordering | Shipping |
|-------------------------|--|---------------------------|---------------|
| UXB-PCR90 G5 TAA | Frosted PC Reflector, 90 Deg. for UXB G5 TAA | Order and Ship Separately | Field Install |



Specifications and Dimensions subject to change without notice.

EMERGENCY BACKUP OPTIONS

| Catalog No. | Description | Ordering | Shipping |
|---------------------|--|---------------------------|---------------|
| BLD-RM40R-YY | FO EM LED Driver, 40W max., 120V-277V input, min. 90 min, Football style | Order and Ship Separately | Field Install |



NPT ADAPTER ACCESSORY

| Catalog No. | Description | Ordering | Shipping |
|------------------------------|--|---------------------------|---------------|
| UXB-ADP-3/4NPT G5 TAA | 3/4" NPT adapter for UXB G5 TAA High Bay, Black Finish | Order and Ship Separately | Field Install |

