

Project	
Notes	
Type	Date
Cat. No.	

UXB™ UX Series

Circular LED High Bay

DESCRIPTION

The Aleo UXB™ Series, Circular High Bay, combines efficiency, robust construction, and utility to deliver a competitive and high-performance high bay solution for single-point mounting applications. The wet location / IP-rated luminaire provides a versatile solution for high mounting facilities. Delivering high output, quality light and low energy consumption, the UXB improves warehouse safety and productivity, lowers maintenance cost, and reduces operating costs



APPLICATIONS

Provides high output illumination for various commercial industrial applications with high ceilings: warehouse, manufacturing, gymnasiums, cold-storage.

Specification Features



UXB UX Series

150
100W/125W/150W
240
150W/200W/240W

Rated Life 100,000 hours
Limited Warranty 7-years
Efficacy Up to 150 LPW
Continuous Dimming



Quick Ship

UXB-UX-150/CT G5 ECO (SR/RC)
UXB-UX-150/CT-HV G5 ECO (SR/RC)
UXB-UX-240/CT G5 ECO (SR/RC)
UXB-UX-240/CT-HV G5 ECO (SR/RC)

Construction

Rugged, die-cast housing with advanced thermal management system ensures reliability and durability. Integrated, enclosed water-proof driver protects against environmental elements. IP65, Wet Location Rated. White Finish.

Optical System

Polycarbonate (PC) lens provides protection and high efficiency transmission of light.

Certification

UL Listed. Wet location rated. All components have UL certification. UL Class 2. Driver: SCP, OTP, OVP protection, FCC Part 15 Class B, UL8750 Class 2. DLC Premium. NSF/ANSI 2.

Warranty

7-year Limited Warranty. See warranty documentation for more information.

Sensor Ready

Center sensor receptacle for field installable plug and play occupancy sensor with daylight. 3.5mm audio jack sensor receptacle.

Electrical

Luminaire utilizes high-efficacy LED packages maintained at cool temperatures for long life, high efficacy. Reliable driver features continuous dimming. Universal voltage (120-277V) and High Voltage (277-480V) for convenient installation. Comes equipped standard with 6' white SO cord.

Installation / Mounting

Single-point hook mount (hook with screw included).

Controls / Dimming

Continuous dimming (0-10V) comes standard. Suitable for use with dimmers, sensors, daylight harvesting and other control strategies to achieve deeper energy-savings and code compliance.

Field-Adjustable CCT / Wattage

Increased versatility and reduced inventory burden. Wattage and Color Temp. can be adjusted in the field by selecting (3) different wattages and (3) different CCTs via switch inside the housing.

Ordering Information

Example: UXB-UX-240/CT-HV G5 ECO (SR/RC)

UXB	UX	240	CT	HV	[Blank]	(SR/RC)
Series	Lumen Package	Nominal Max Wattage	Color Temp	Input Voltage	Dimming	Controls
UXB Circular High Bay	UX Field Adjustable Wattage	150 100W/125W/150W 240 150W/200W/240W	CT Adjustable CCT 3500K/4000K/5000K	Blank 120V-277V HV 277V-480V	Blank 1-10V Continuous Dimming	(SR/RC) Sensor Ready w/ (PP1) Sensor Receptacle

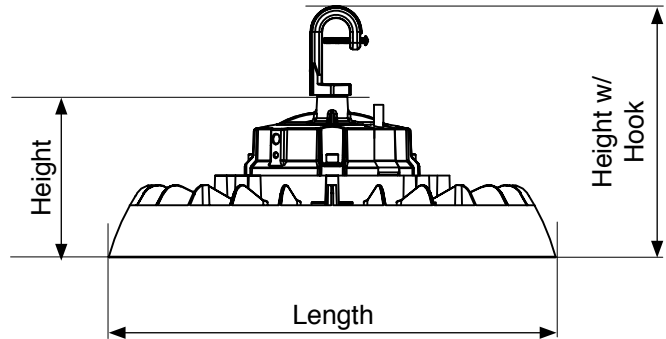
Specifications and Dimensions subject to change without notice.

Performance Summary

Input Voltage	120V-277V, 277V-480V
Input Frequency	50/60 Hz
Rated Wattage	See Performance Table
Delivered Lumens	See Performance Table
Efficacy	> 145 LPW (typ.)
CRI	80+
Available CCT	3500K/4000K/5000K
Nominal Beam Angle	110° Deg. (w/o Reflector)
Rated Life	100,000 hours
L70 ³	100,000 hours
Power Factor	> 0.9
THD	< 20%
Dimming	0-10V Continuous
Operating Temp.	-40°C to 50°C
IP Rating	IP65

Product Dimensions

UXB UX



Item No.	Height w/ Hook	Height	Length
UXB-UX-150/CT	7.1" (181.5mm)	4.6" (116.8mm)	10.4" (264.8mm)
UXB-UX-240/CT	7.3" (186.0mm)	4.8" (121.3mm)	12.8" (325.7mm)

Performance Data

Catalog No.	Rated Wattage (W)	Tested Wattage (W)	3500K		4000K		5000K	
			Delivered Lumens (lm)	Efficacy (lm/W)	Delivered Lumens (lm)	Efficacy (lm/W)	Delivered Lumens (lm)	Efficacy (lm/W)
UXB-UX-150/CT G5 ECO (SR/RC)	100	101.6	15,057	148.2	15,972	157.2	15,352	151.1
	125	127.0	18,631	146.7	19,761	155.6	18,999	149.6
	150	152.4	22,128	145.2	23,485	154.1	22,570	148.1
UXB-UX-150/CT-HV G5 ECO (SR/RC)	100	95.9	14,606	152.3	14,769	154.0	14,682	153.1
	125	119.8	18,066	150.8	18,270	152.5	18,162	151.6
	150	143.8	21,469	149.3	21,714	151.0	21,584	150.1
UXB-UX-240/CT G5 ECO (SR/RC)	150	146.7	21,506	146.6	22,900	156.1	22,078	150.5
	200	195.6	28,382	145.1	30,240	154.6	29,144	149.0
	240	234.7	33,726	143.7	35,933	153.1	34,618	147.5
UXB-UX-240/CT-HV G5 ECO (SR/RC)	150	144.4	22,035	152.6	22,498	155.8	22,368	154.9
	200	192.5	29,087	151.1	29,703	154.3	29,530	153.4
	240	231.0	34,558	149.6	35,297	152.8	35,089	151.9

NOTES:

- Typical color consistency. May vary or be changed.
- L70 hours calculated based on LED package manufacturer LM80 report and ISTMT report of LED in luminaire. Stated values are for select catalog numbers. Contact manufacturer for detailed information

Specifications and Dimensions subject to change without notice.

DLC QPL Data

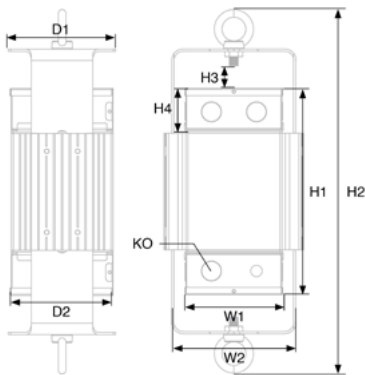


Item No.	Product ID	Technical Req.	Classification	Primary Use
UXB-UX-150/CT G5 ECO (SR/RC)	S-SAWEBH	5.1	Premium	High-Bay Luminaires for Commercial and Industrial Buildings
UXB-UX-240/CT G5 ECO (SR/RC)	S-K48ZJA	5.1	Premium	High-Bay Luminaires for Commercial and Industrial Buildings
UXB-UX-150/CT-HV G5 ECO (SR/RC)	S-EN7B2Y	5.1	Premium	High-Bay Luminaires for Commercial and Industrial Buildings
UXB-UX-240/CT-HV G5 ECO (SR/RC)	S-HIX4QF	5.1	Premium	High-Bay Luminaires for Commercial and Industrial Buildings

Emergency Battery Backup

Item No.: **EM-UFO-V200-UNV-H-FI-30** (Order Separately / Ships Separately from Fixture)

For Field Install UFO EM LED Driver, 30W max., 120V-277V input, min. 90 min, dual J-Box with eyebolts



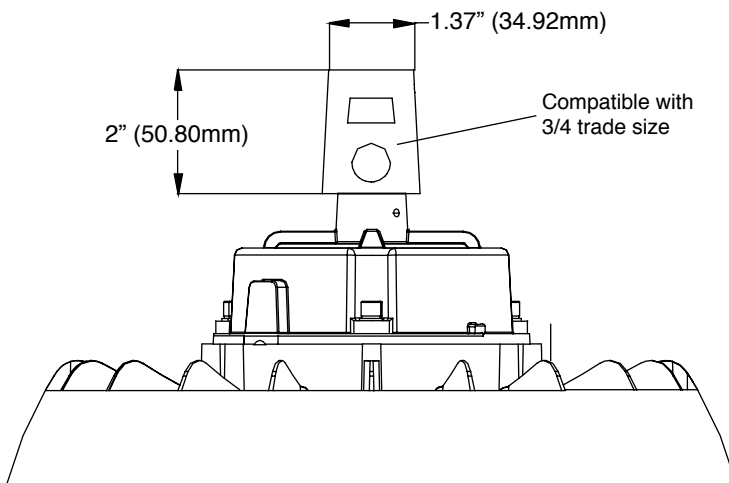
Enclosure (in. ±1)	EM Driver (in.)
Width (W1)	4.21"
Width (W2)	6.10"
Height (H1)	8.54"
Height (H2)	15.94"
Height (H3)	0.98"
Depth (D1)	4.69"
J-Box Size	
Width (W1)	4.21"
Height (H4)	1.55"
Depth (D2)	4.69"
Knock Out (KO)	1/2 Trade Size (0.85")



Junction Box Accessory

Item No.: **UXB-ADP-3/4NPT G5** (Order Separately / Ships Separately from Fixture)

3/4" NPT adapter for UXB G5 High Bay, White Finish



Specifications and Dimensions subject to change without notice.

Accessory Options

Plug and Play Sensor Order Codes: (Order Separately / Ships Separately from Fixture)



Sensor Model #	Description	Remote Control
SPIR-OSDL/BT-PP1-DC-300	AleoBlue, Wireless Bluetooth PIR Occ Sensor w/ Daylight Harvesting, 12V DC input, Plug and Play 3.5mm port, 40ft high bay lens	AleoBlue App
SPIR-OSDL/BTEZ-PP1-DC-100	SimplBlue, PIR Occ Sensor w/ Daylight Harvesting, Plug and Play 3.5mm port, comes w/ HBL1 lens	SimplBlue App
SPIR-OSDL/IR-PP1-DC-130	Multi-level Passive Infrared Occ Sensor w/ Photocell Function, Plug and Play 3.5mm port, IR remote setting, comes w/ HBL1 lens	SRC-A01
SHF-OSDL/IR-PP1-LV-10V-A01	Multi-level High Frequency Occ Sensor w/ Photocell Function, Plug and Play 3.5mm port, IR remote setting	SRC-A01



Dome Reflector Accessories Order Codes: (Order Separately / Ships Separately from Fixture)



Sensor Model #	Description
UXB-PCR90-S G5	Frosted PC Reflector, 90 Deg. for UXB-UX-150/CT G5 ECO (SR/RC), UXB-UX-150/CT-HV G5 ECO (SR/RC)
UXB-PCR90-L G5	Frosted PC Reflector, 90 Deg. for UXB-UX-240/CT G5 ECO (SR/RC) and UXB-UX-240/CT-HV G5 ECO (SR/RC)

