

Project	
Notes	
Type	Date
Cat. No.	

UXB™ Series

Circular LED High Bay

DESCRIPTION

The Aleo UXB™ Series, Circular High Bay, combines efficiency, robust construction, and utility to deliver a competitive and high-performance high bay solution for single-point mounting applications. The wet location / IP-rated luminaire provides a versatile solution for high mounting facilities. Delivering high output, quality light and low energy consumption, the UXB improves warehouse safety and productivity, lowers maintenance cost, and reduces operating costs

APPLICATIONS

Provides high output illumination for various commercial industrial applications with high ceilings: warehouse, manufacturing, gymnasiums, cold-storage



Specification Features



UXB Series

100	100W
150	150W
200	200W

Construction

Rugged, die-cast housing with advanced thermal management system ensures reliability and durability. Integrated, enclosed water-proof driver protects against environmental elements. IP66, Wet Location Rated. White Finish.

Optical System

Glass lens provides protection and high efficiency transmission of light. Frosted PC or Aluminum dome reflector accessories available (sold separately) for reduced glare and controlled optics.

Certification

UL Listed. Wet location rated. All components have UL certification. UL Class 2. Driver: SCP, OTP, OVP protection, FCC Part 15 Class B, UL8750 Class 2.

Warranty

7-year Limited Warranty. See warranty documentation for more information.

Electrical

Luminaire utilizes high-efficacy LED packages maintained at cool temperatures for long life, high efficacy. Reliable driver features continuous dimming. Universal voltage (120-277V) for convenient installation. Comes equipped standard with 6' white SO cord.

Installation / Mounting

Single-point hook mount (hook with screw included).

Controls / Dimming

Continuous dimming (1-10V) comes standard. Suitable for use with dimmers, sensors, daylight harvesting and other control strategies to achieve deeper energy-savings and code compliance.

Rated Life 100,000 hours
Limited Warranty 7-years
Efficacy Up to 149 LPW
Continuous Dimming



Quick Ship

UXB-100/50K G3 ECO
 UXB-150/50K G3 ECO
 UXB-200/50K G3 ECO

Ordering Information

Example: UXB-150/50K G3 ECO

UXB	150	50K	[Blank]	[Blank]	Options
Series	Nom. Wattage	Color Temp	Input Voltage	Dimming	Controls
UXB Circular High Bay	100 100W 150 150W 200 200W	50K 5000K	Blank 120V-277V HV 240V-480V	Blank 1-10V Continuous Dimming	OSDL/IR Multi-Level Occ. Sensor w/ wireless config.

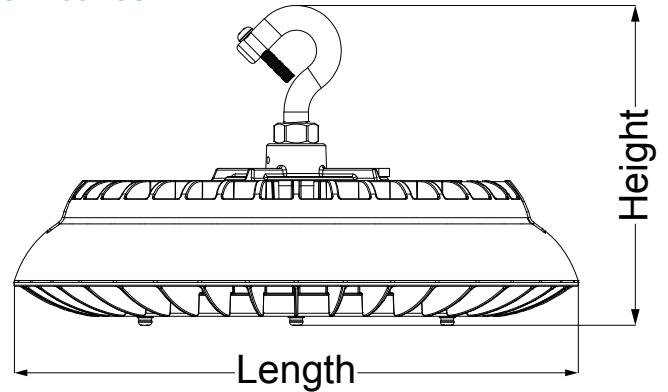
Specifications and Dimensions subject to change without notice.

Performance Summary

Input Voltage	120V-277V
Input Frequency	50/60 Hz
Rated Wattage	See Performance Table
Delivered Lumens	See Performance Table
Efficacy	> 147 LPW (typ.)
CRI	85+
Available CCT	5000K
Nominal Beam Angle	120° Deg. (without Reflector)
Rated Life	100,000 hours
L70 ³	100,000 hours
Power Factor	> 0.9
THD	< 20%
Dimming	1-10V Continuous
Operating Temp.	-40°C to 50°C

Product Dimensions

UXB G3 ECO



Item No.	Height	Length
UXB-100/xxK G3 ECO	6" (152mm)	8.9" (226mm)
UXB-150/xxK G3 ECO	6" (152mm)	10.8" (275mm)
UXB-200/xxK G3 ECO	6" (152mm)	10.8" (275mm)

Performance Data

Catalog No.	Rated Wattage (W)	5000K	
		Delivered Lumens (lm)	Efficacy (lm/W)
UXB-100/xxK G3 ECO	103	15422	149.15
UXB-150/xxK G3 ECO	153	22,822	148.39
UXB-200/xxK G3 ECO	189.5	27,884	147.14

DLC QPL Data

Item No.	Product ID	Technical Req.	Classification	Primary Use
UXB-100/50K G3 ECO	PLB0YOYKV9BF	4.4	Premium	High-Bay Luminaires for Commercial and Industrial Buildings
UXB-150/50K G3 ECO	PL0EOG5EFQT5	4.4	Premium	High-Bay Luminaires for Commercial and Industrial Buildings
UXB-200/50K G3 ECO	PLF94J7WY2YC	4.4	Premium	High-Bay Luminaires for Commercial and Industrial Buildings



NOTES:

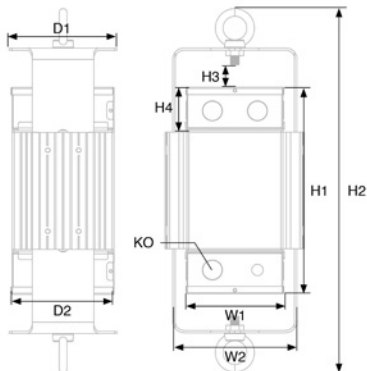
- Quick ship: 5000K. Other CCTs may require a lead time or be special order
- Typical color consistency. May vary or be changed.
- L70 hours calculated based on LED package manufacturer LM80 report and ISTMT report of LED in luminaire. Stated values are for select catalog numbers. Contact manufacturer for detailed information

Specifications and Dimensions subject to change without notice.

Emergency Battery Backup

Item No.: **EM-UFO-V200-UNV-H-FI-30**

For Field Install UFO EM LED Driver, 30W max., 120V-277V input, min. 90 min, dual J-Box with eyebolts



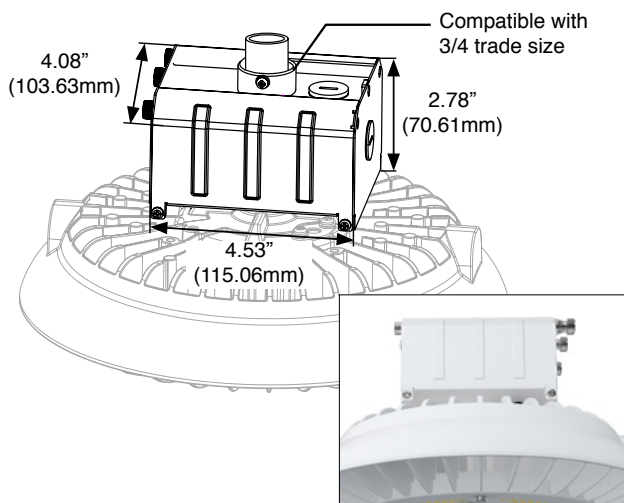
Enclosure (in. ±1)	EM Driver (in.)
Width (W1)	4.21"
Width (W2)	6.10"
Height (H1)	8.54"
Height (H2)	15.94"
Height (H3)	0.98"
Depth (D1)	4.69"
J-Box Size	
Width (W1)	4.21"
Height (H4)	1.55"
Depth (D2)	4.69"
Knock Out (KO)	1/2 Trade Size (0.85")



Junction Box Accessory

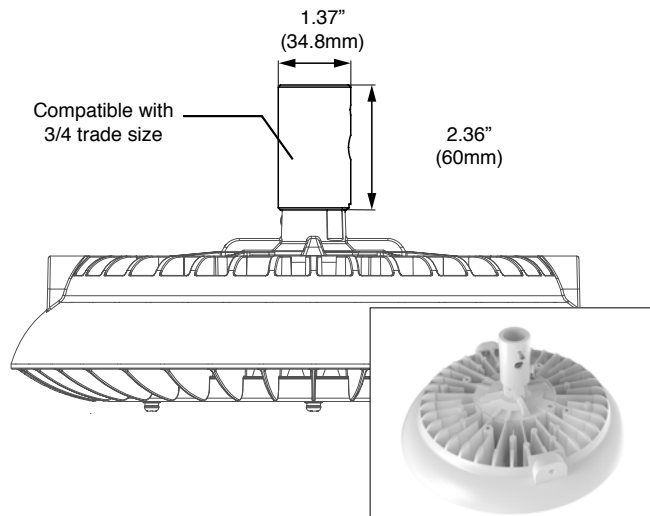
Item No.: **UXB-NPT-JBX**

NPT Junction Box for UXB G3 ECO High Bay, White Finish



Item No.: **UXB-ADP-3/4NPT**

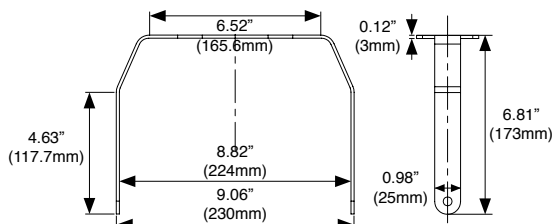
3/4" NPT adapter for UXB ECO High Bay, White Finish



U-Bracket Accessories

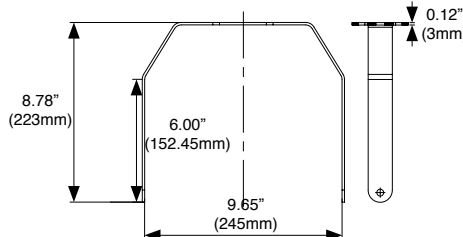
Item No.: **UXB-U-BRK-SM**

Adjustable U-Bracket for UXB High Bay, White Finish, Small for 100W



Item No.: **UXB-U-BRK-LG**

Adjustable U-Bracket for UXB High Bay, White Finish, Large for 150W, 200W

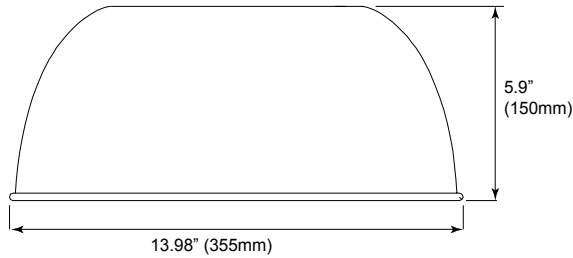


Specifications and Dimensions subject to change without notice.

Reflectors and Accessories

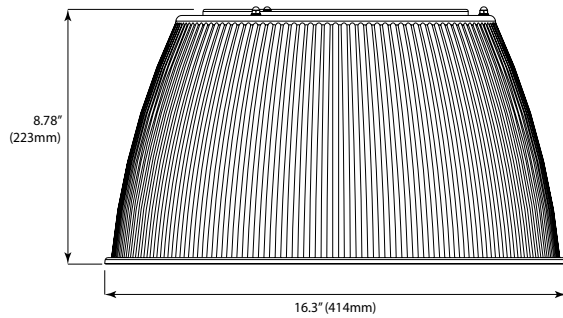
Item No.: **UXB-ALR90**

Diffuse Aluminum Reflector (90 deg.)



Item No.: **UXB-PCR70**

Frosted Polycarbonate Dome Lens (70 deg.)



Item No.: **UXB-RLENS-F**

Frosted Polycarbonate Bottom Lens.
Compatible with UXB-PCR70.

