

Project	
Notes	
Type	Date
Cat. No.	

SPIR-OSDL/BTEZ-PP1-DC-100 SimplBlue, Wireless Bluetooth PIR Occ Sensor w/ Daylight Harvesting

DESCRIPTION

SPIR-OSDL/BTEZ-PP1-DC-100 was designed for wireless smart control with integrated daylight and PIR motion sensors. 3.5mm audio plug-in interface for easy installation. Utilizes bluetooth mesh technology for reliable and secure wireless communication. Schedule can be programmed via the SimplBlue app for IOS and Android. Admin or guest can be shared to others by QR code. Can work together with other models in bluetooth control system. Suitable for linear high bays, UFO high bays, area lights, and wall packs.

PIR Occupancy Sensor: Support setting delay time and dimming level for a group of sensors through the app, support unique sensor linkage reaction.

Daylight Harvesting / Photocell Threshold: Ambient daylight sensor allows for continuous dimming with natural light, wireless calibration available.

APPLICATIONS

Indoor: Open offices, Individual offices, Conference rooms, Classrooms, Retail stores, Hospitals, Lobbies.



SPIR-OSDL/BTEZ-PP1-DC-100

PIR Occ Sensor with Daylight Harvesting



Performance Summary

Input Voltage	12V DC
Input Current	35mA
Standby Power	0.45W
Dimming	0-10V
Detection Range	80ft Max.
Mounting Height	40ft Max.
Wireless Range*	100ft.
Operating Temp.	-30°F~131°F (-30°C~55°C)
Certification	UL
Warranty	5-year Warranty

*Bluetooth Range is highly dependent on the integration of fixtures, surrounding environment and conditions. It is recommended to conduct testing for range accuracy.

Ordering Information

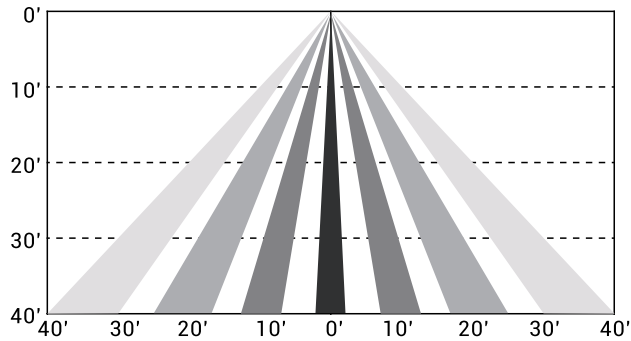
Example: SPIR-OSDL/BTEZ-PP1-DC-100

SPIR	OSDL/BTEZ	PP1	DC	100
Series	Controls	Mounting	Input Power	100
SPIR	OSDL/BTEZ	PP1	DC	Designator
PIR	Wireless Bluetooth Occ Sensor with Daylight Harvesting	3.5mm audio jack	Direct Current	100
Sensor				

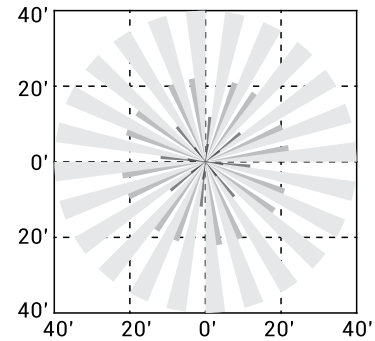
Specifications and Dimensions subject to change without notice.

Detection Area

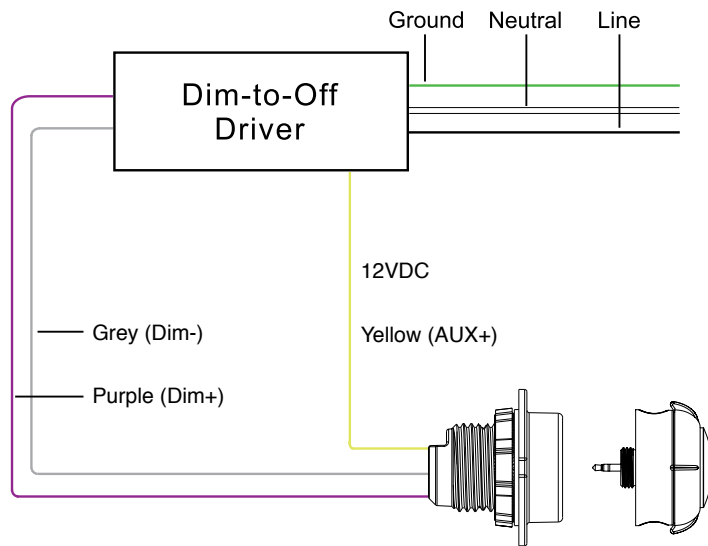
Coverage Side View



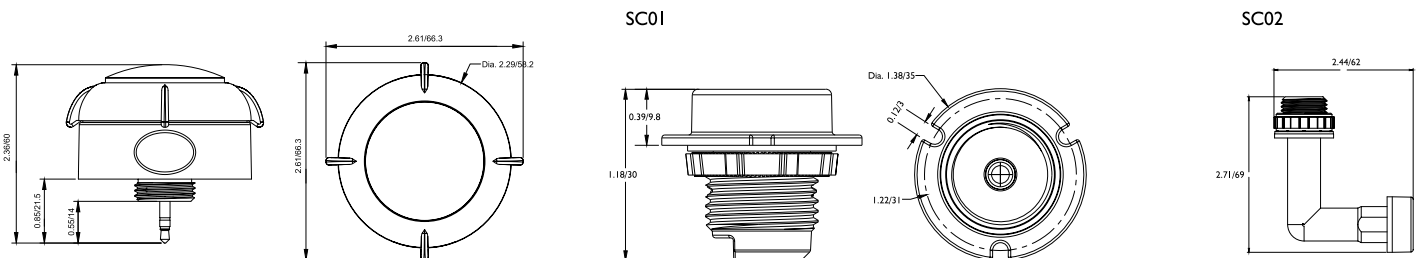
Coverage Top View



Wiring Diagram



Dimensions



Specifications and Dimensions subject to change without notice.

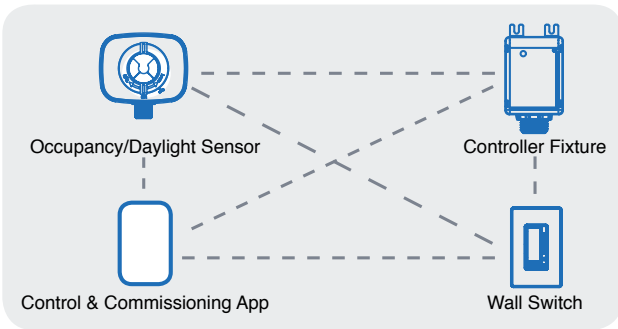
A Simple and Cost-Effective Localized Networked Lighting Control System Using Bluetooth Mesh.



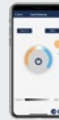
SimplBlue Wireless Bluetooth Controls

SimplBlue Lighting Controls offers a complete gateway-free wireless system to control lights in a wide variety of applications. The system includes wireless fixture controllers, switches, and occupancy/daylight harvesting sensors all using Bluetooth® wireless technology. In addition to the system devices we also offer a fixture mounted controller and sensor with Bluetooth® technology providing wireless communication and occupancy/daylight harvesting control in one device. Each device has its own address for sending, receiving and sharing control commands through a wireless network. Expandability is easy with each device passing information to the next thus expanding the reach and control throughout the network.

Download the Commissioning App



Download the SimplBlue Commissioning App Instructions



SimplBlue Lighting Controls Commissioning & Control App

- For iOS or Android smartphone
- Commissioning: Switch on-off, Dimming,
- Color tuning/ Circadian Rhythms (Must work with corresponding drivers and led fixtures)
- Flexible zoning/ Scenarios setting/ Scheduling
- Wireless wall switch linkage setting
- Occupancy sensor setting, Daylight harvesting, Photocell control
- Admin control authority sharing with QR code

System Functionality

- Networking of luminaires
- Individual Addressability
- Occupancy sensing
- Daylight Harvesting/Photocell Control
- High-end Trimming
- Flexible Zoning
- Continuous Dimming

