

SPIR-OSDL/BTEZ-AC-100

SimplBlue, Wireless Bluetooth PIR Occ Sensor w/ Daylight Harvesting

DESCRIPTION

Bluetooth Mesh Technology for Bluetooth enabled IOS and Android smartphone.

Flexible Grouping & Zoning: Wirelessly group luminaires to act in sync with each other.

Wireless Commissioning: Convenient commission via smartphone or wireless Bluetooth wall switch, ON/OFF/DIM.

PIR Occupancy Sensor: Support setting delay time and dimming level for a group of sensors through the app, support unique sensor linkage reaction.

Daylight harvesting / Photocell Threshold: Ambient daylight sensor allows for continuous dimming with natural light, wireless calibration available.

Scene Control: Pre-set various color brightness for individual or group of luminaires under different scene buttons, arouse all settings with one button.

QR Code for Admin / Guest Control Authority: The system will automatically generate Admin and Guest QR codes for each zone, by scanning the QR code, a second phone will copy settings.

APPLICATIONS

Indoor: Open offices, Individual offices, Conference rooms, Classrooms, Retail stores, Hospitals, Lobbies.



SPIR-OSDL/BTEZ-AC-100

PIR Occ Sensor with Daylight Harvesting



Performance Summary

Input Voltage	120~277V
Input Frequency	50/60 Hz
Maximum Load	10A, 1200W Max. (LED Only)
Power Consumption	1.5W
Dimming	0-10V
Mounting Height	15-40ft
Detectable Speed	1-10ft./sec. (0.3-3 m/sec)
Wireless Range*	100ft
Operating Temp.	-40°F~131°F (-40°C~55°C)
IP Rating	IP65

*Bluetooth Range is highly dependent on the integration of fixtures, surrounding environment and conditions. It is recommended to conduct testing for range accuracy.

Ordering Information

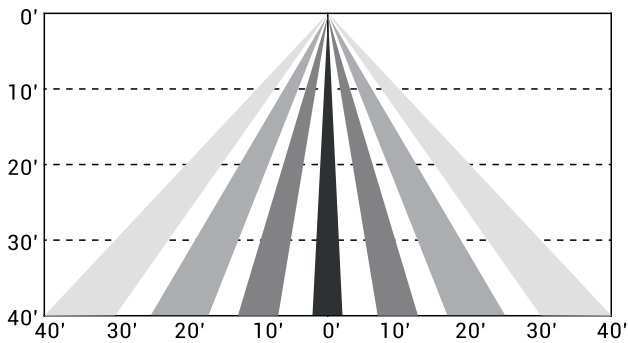
Example: SPIR-OSDL/BTEZ-AC-100

SPIR	OSDL/BTEZ	AC	100
Series	Controls	Input Power	100
SPIR	OSDL/BTEZ	AC	Designator
PIR Sensor	Wireless Bluetooth Occ Sensor with Daylight Harvesting	Alternating Current	100

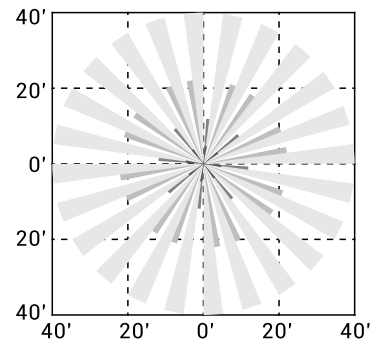
Specifications and Dimensions subject to change without notice.

Detection Area

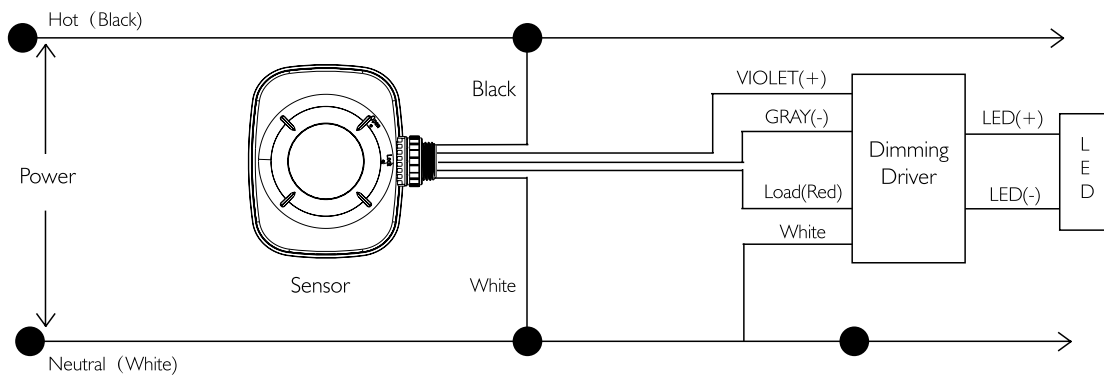
Coverage Side View



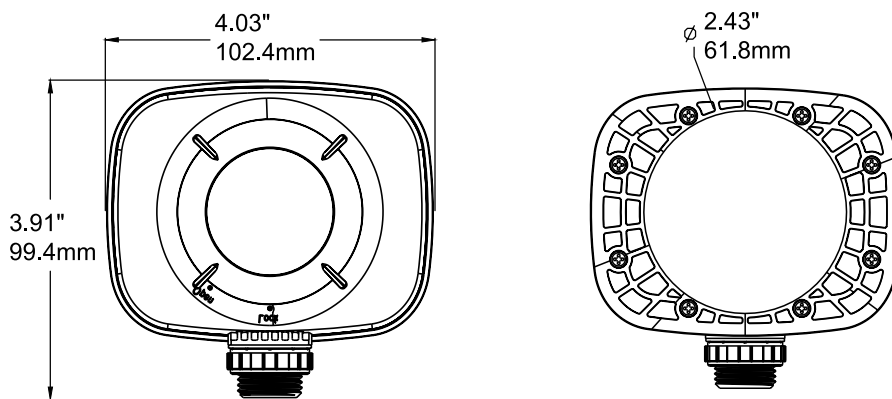
Coverage Top View



Wiring Diagram



Dimensions



Specifications and Dimensions subject to change without notice.

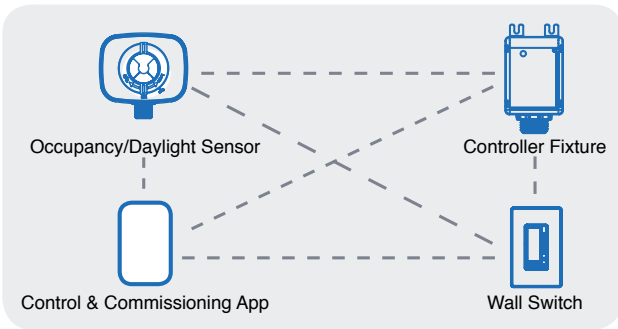
A Simple and Cost-Effective Localized Networked Lighting Control System Using Bluetooth Mesh.



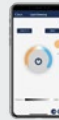
SimplBlue Wireless Bluetooth Controls

SimplBlue Lighting Controls offers a complete gateway-free wireless system to control lights in a wide variety of applications. The system includes wireless fixture controllers, switches, and occupancy/daylight harvesting sensors all using Bluetooth® wireless technology. In addition to the system devices we also offer a fixture mounted controller and sensor with Bluetooth® technology providing wireless communication and occupancy/daylight harvesting control in one device. Each device has its own address for sending, receiving and sharing control commands through a wireless network. Expandability is easy with each device passing information to the next thus expanding the reach and control throughout the network.

Download the Commissioning App



Download the SimplBlue Commissioning App Instructions



SimplBlue Lighting Controls Commissioning & Control App

- For iOS or Android smartphone
- Commissioning: Switch on-off, Dimming,
- Color tuning/ Circadian Rhythms (Must work with corresponding drivers and led fixtures)
- Flexible zoning/ Scenarios setting/ Scheduling
- Wireless wall switch linkage setting
- Occupancy sensor setting, Daylight harvesting, Photocell control
- Admin control authority sharing with QR code

System Functionality

- Networking of luminaires
- Individual Addressability
- Occupancy sensing
- Daylight Harvesting/Photocell Control
- High-end Trimming
- Flexible Zoning
- Continuous Dimming

