

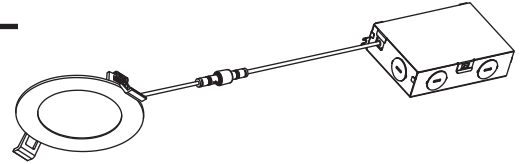
SLD™ Series

Slim Edge-lit Downlight

Includes: SLD-4, SLD-6



INSTALLATION INSTRUCTIONS



READ AND FOLLOW ALL SAFETY INSTRUCTIONS

WARNING

FAILURE TO FOLLOW THESE INSTRUCTIONS AND WARNINGS MAY RESULT IN SERIOUS INJURY OR DAMAGE TO PROPERTY

For your safety, thoroughly read these instructions and warnings in its entirety prior to installing or servicing this product. These instructions do not attempt to cover all installation and maintenance circumstances. If you do not understand these instructions or if additional information is needed, please contact your Aleo Lighting customer service.

WARNING

RISK OF FIRE OR ELECTRIC SHOCK

This product must be installed and serviced by a professional electrician in accordance with applicable federal, state, and local laws, regulations, and electrical code. If not qualified, do not attempt installation of this product. Contact a qualified electrician.

WARNING

RISK OF FIRE, ELECTRIC SHOCK, or PERSONAL INJURY

To avoid risk of electrical shock, turn off power before installing or servicing.

Verify that supply voltage is correct by comparing with the input voltage on the luminaire label

Make all electrical and ground connections in accordance with NEC and any applicable code requirements

WARNING

RISK OF PERSONAL INJURY

To prevent wiring damage or abrasion, do not expose wiring to edges of sheet metal or other sharp objects
Do not make or alter any open holes in any of the enclosures with wiring or electrical components during installation

SAVE THESE INSTRUCTIONS FOR FUTURE REFERENCE

Suitable for Wet Location
Recessed Luminaire for Type IC

WARNING

This luminaire is made for permanent installation in ordinary (non-hazardous) locations in accordance with NEC code and all applicable local and federal codes. Do not use in applications with limited ventilation or high ambient temperature enclosures.

TURN OFF POWER BEFORE INSTALLING

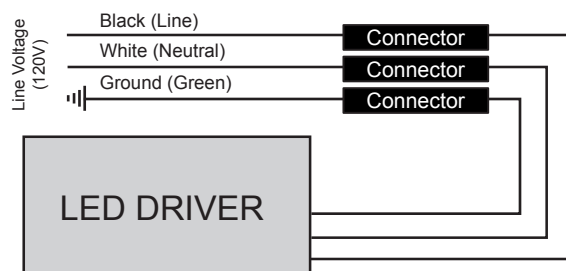
Electrical Connection

Connect BLACK (line) driver lead to voltage supply Line position (HOT).

Connect driver WHITE lead to the NEUTRAL supply position.

Connect the GREEN ground lead to the supply ground lead.

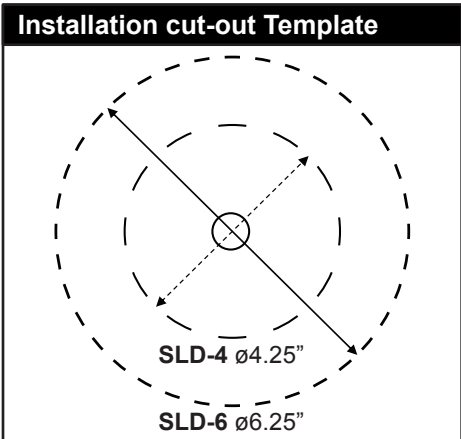
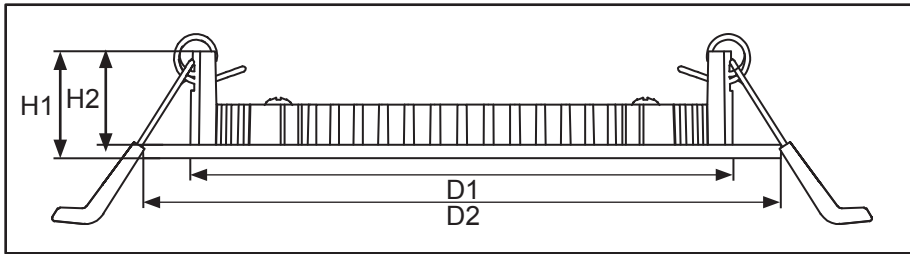
Wiring Diagram



SLD™ Series

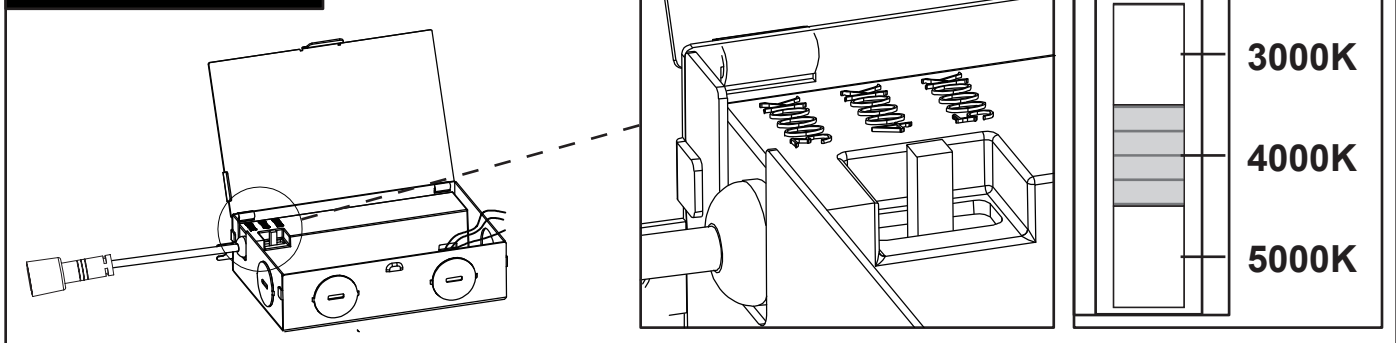
Slim Edge-lit Downlight

TO INSTALL:



Model No.	Size	D1	D2	H1	H2	Cut-Out
SLD-4-10W-120/9CT T24	4"	4.06"	4.75"	.812"	.687"	$\varnothing 4.25"$
SLD-6-14W-120/9CT T24	6"	6"	6.69"	.812"	.687"	$\varnothing 6.25"$

Field Adjustable CCT

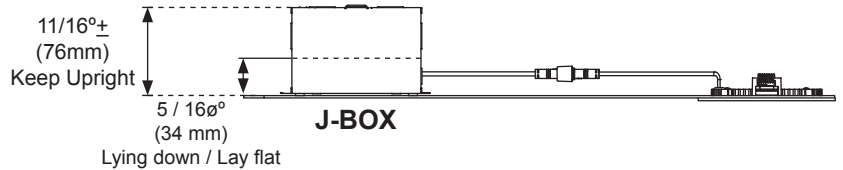
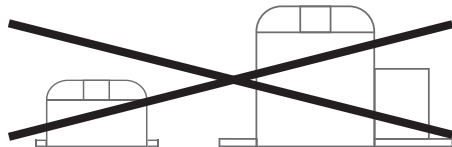


No J-Box Needed

This downlight installs directly into the ceiling without the need for an additional J-box or recessed can. The Slim design allows these wet location and IC rated downlights to fit into any ceiling, including those with shallow ceiling space. (Fig.6)

No J-Box or Recessed Can Required

Suitable for Shallow Ceiling Applications
Wet location and IC rated



TO INSTALL:

WARNING:

Make sure all power is OFF before installation. Shutting power off at breaker is recommended.

RETROFIT OR NEW CONSTRUCTION

INSTALLATION STEPS:

1. Locate a suitable location for the fixture. Check and measure the ceiling hole to make sure it is the correct size for the outer rim of the downlight to cover the hole while still allowing the back of the downlight to fit in the ceiling and springs to hold firmly.
 - * Remove existing can housing if present or move out of the way. Can not needed for installation.
 - * If new hole needs to be cut, use provided template/dimensions. Locate suitable location with access to power supply leads. **(Figure A)**
2. Open the cover of the remote junction box and remove the appropriate knockout(s). **(Figure B)**
3. Locate LED driver input leads in junction box and connect power source using connectors (provided). **(Figure C)**
 - * Connect black wire to live wire, white wire to neutral wire, and green wire with ground. SEE PAGE 1 for Electrical Connection and wiring diagram instructions. (The grounding of the overall system shall be done in accordance with NEC and local codes)
 - * If needed, use appropriate strain relief or bushing (provided by others) on power supply leads inserted into junction box
4. Place remote driver junction box through the cut out hole. If remote driver box needs to be attached, use keyhole fittings on bottom of junction box to secure using screws (not included). **(Figure D)**
5. Connect the remote driver to the downlight using male/female connector cable and tighten the nut connector by hand. **(Figure E)**
6. Pull the spring clips on the fixture up and place through the ceiling hole and insert the base of the downlight into the hole. Release the clips and the fixture will grip flush with the ceiling/drywall. Make sure spring clips are holding securely. **(Figure F)**

WARNING: DO NOT PLACE YOUR HAND/FINGERS UNDERNEATH SPRING CLIP WHEN REMOVING DOWNLIGHT. SNAPPING OF CLIPS CAN CAUSE INJURIES.

7. Turn power back on. If downlight does not illuminate, turn power off, carefully remove module and check all wiring.

