

Project	
Notes	
Type	Date
Cat. No.	

SLD™ Series

Slim Edge-lit Downlight - Field Adjustable CCT

DESCRIPTION

The Aleo SLD Series is the perfect energy-saving solution for recessed downlight applications. The SLD recessed downlight offers extreme versatility with field-adjustable color temperature. No can is needed for installation. Slim, innovative design is perfect for new construction or retrofit of CFL or incandescent downlights.



APPLICATIONS

Residential, multi-family, commercial, retail, education, hospitality, outdoor ceilings. Retrofit / remodel or new construction.



Specification Features

Construction

Die-cast aluminum frame. Durable powder coat finish. Junction box with integrated driver and knock-outs. IC-rated. Equipped with integrated spring-action clips and cable. Wet Location Rated.

Optical System

Edge-lit technology provides uniform, comfortable illumination. Polycarb lens with anti-yellowing light guided plate.

Certification

ETL Listed. ENERGY STAR. Wet Location rated. CA Title 24. Airtight. IC-Rated. FCC Part 15 Class B.

Warranty

5-year Limited Warranty. See warranty documentation for more information.

Electrical

Field Selectable color temp. 120V input voltage. Flicker-free driver. TRIAC dimming.

Installation / Mounting

Quick and easy installation. Installs with no can / housing needed. Integral spring clips. IC-rated for contact with insulation.

Controls / Dimming

Continuous TRIAC dimming

SLD Series

4" 10W | 700 lm
6" 14W | 1100 lm

Rated Life 50,000 hours
Limited Warranty 5-years
High CRI 90+
Title 24
Continuous Dimming

Quick Ship

SLD-4-10W-120/9CT T24
SLD-6-14W-120/9CT T24

Ordering Information

SLD-6-14W-120/9CT T24

LT-CD	6	34	120	9	CT	T24	[Blank]
Series	Form Factor	Nominal Max Wattage	Input Voltage	CRI	Color Temp	Compliance	Finish
SLD	4 4" (nominal)	10W 10W (4")	120 120V	9 90+	CT Field Adjust.	T24 CA Title24	[Blank] White
Slim Edge-Lit Downlight	6 6" (nominal)	14W 14W (6")			3000K 4000K 5000K * Utilize 3-way switch to select		

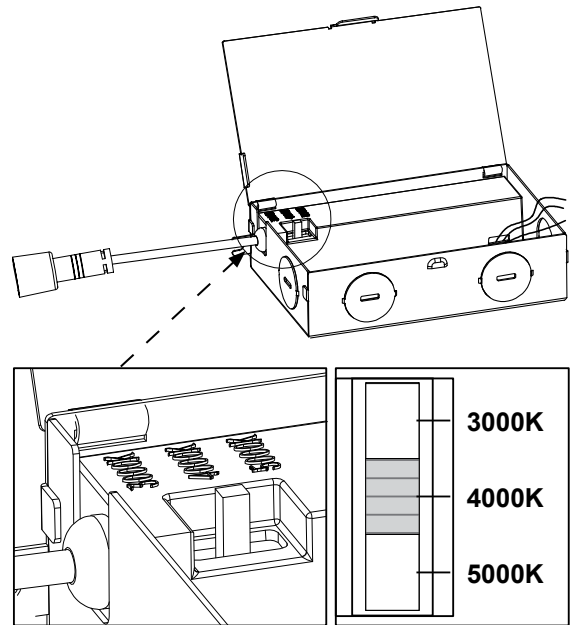
Performance Summary

Input Voltage	120V
Input Frequency	60 Hz
Rated Wattage	See Performance Table
Delivered Lumens	See Performance Table
Efficacy	> 70 LPW (typ.)
CRI	90+
R9	R9 > 50
Available CCT	3000K / 4000K / 5000K
Rated Life	50,000 hours
L70 ³	54,000 hours
Power Factor	> 0.95
THD	< 15%
Dimming	5%-100% TRIAC Dimming
Operating Temp.	-40°C to 40°C

Field-Adjustable CCT



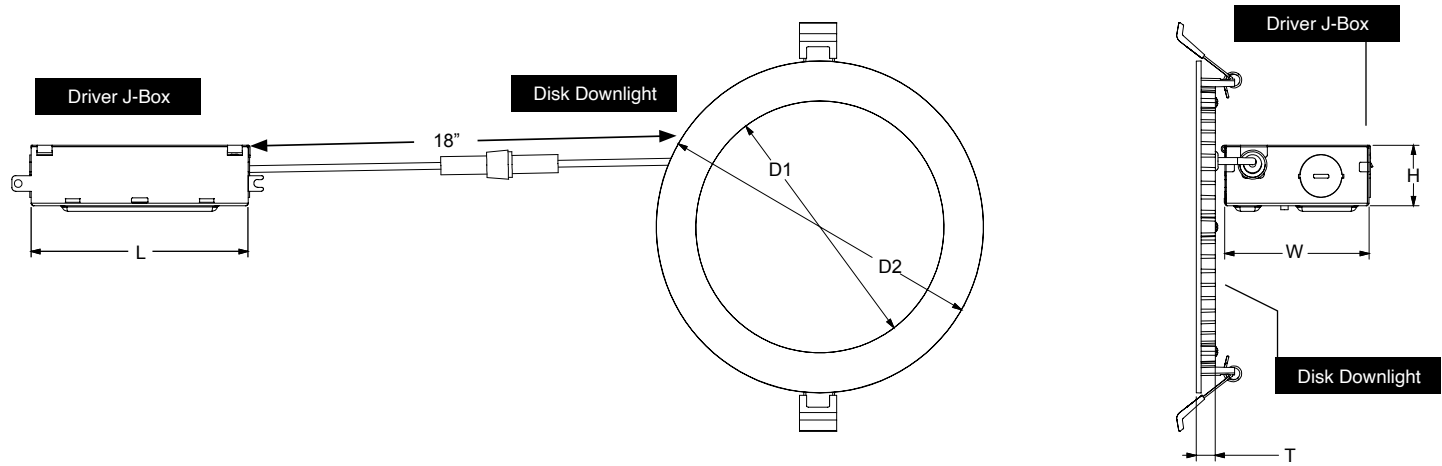
Color temp. Adjustable via switches on the driver box.



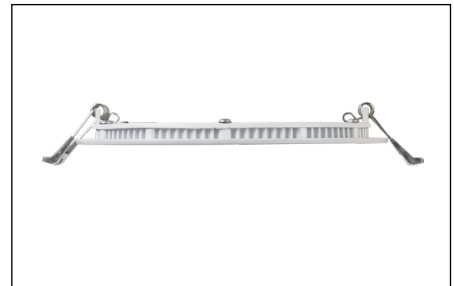
Performance Data

Form Factor	Catalog No.	Rated Wattage (W)	3000K		4000K		5000K	
			Delivered Lumens (lm)	Efficacy (lm/W)	Delivered Lumens (lm)	Efficacy (lm/W)	Delivered Lumens (lm)	Efficacy (lm/W)
4"	SLD-4-10W-120/9CT T24	10	777	78.8	823	86.5	786	80.3
6"	SLD-6-14W-120/9CT T24	14	1090	78	1214	89.1	1139	82

Product Dimensions



Model No.	Disk Downlight			Driver J-Box		
	D1	D2	T	L	W	H
SLD-4-10W-120/9CT T24	3.11"	4.72"	0.39"	4.46"	2.97"	1.26"
SLD-6-14W-120/9CT T24	5.10"	6.73"	0.39"	4.46"	2.97"	1.26"



© 2020 Aleo Lighting, Inc. All rights reserved. For informational purposes only. Reproduction in whole or part is prohibited without prior written consent of the copyright owner. The information presented in this document does not form part of any quotation or contract, is believed to be accurate and reliable and may be changed without notice. No liability will be accepted by the publisher for any consequences of its use. Aleo Lighting reserves the rights make changes in specification at any time without notice.

Aleo Lighting, Inc.
 www.aleoighting.com
 10988 Bloomfield Ave.
 Santa Fe Springs, CA 90670
 Ph: 877-358-8825

