



Project	
Notes	
Type	Date
Cat. No.	

**SLD™ Series**

**Slim Edge-lit Downlight - Field Adjustable CCT**

**DESCRIPTION**

The Aleo SLD Series is the perfect energy-saving solution for recessed downlight applications. The SLD recessed downlight offers extreme versatility with field-adjustable color temperature. No can is needed for installation. Slim, innovative design is perfect for new construction or retrofit of CFL or incandescent downlights.



**APPLICATIONS**

Residential, multi-family, commercial, retail, education, hospitality, outdoor ceilings. Retrofit / remodel or new construction.



**Specification Features**

**Construction**

Die-cast aluminum frame. Durable powder coat finish. Junction box with integrated driver and knock-outs. IC-rated. Equipped with integrated spring-action clips and cable. Wet Location Rated.

**Optical System**

Edge-lit technology provides uniform, comfortable illumination. Polycarb lens with anti-yellowing light guided plate.

**Certification**

ETL Listed. ENERGY STAR. Wet Location rated. CA Title 24. Airtight. IC-Rated. FCC Part 15 Class B.

**Warranty**

5-year Limited Warranty. See warranty documentation for more information.

**Electrical**

Field Selectable color temp. 120V input voltage. Flicker-free driver. TRIAC dimming.

**Installation / Mounting**

Quick and easy installation. Installs with no can / housing needed. Integral spring clips. IC-rated for contact with insulation.

**Controls / Dimming**

Continuous TRIAC dimming

**SLD Series**

6" 14W | 1100 lm

Rated Life 50,000 hours  
Limited Warranty 5-years  
High CRI 90+  
Title 24  
Continuous Dimming

**Quick Ship**

SLD-6-14W-120/9CT G2

**Ordering Information**

SLD-6-14W-120/9CT G2

SLD	6	14W	120	9	CT	[Blank]
<b>Series</b> SLD Slim Edge-Lit Downlight	<b>Form Factor</b> 6 6" (nominal)	<b>Nominal Max Wattage</b> 14W 14W (6")	<b>Input Voltage</b> 120 120V	<b>CRI</b> 9 90+	<b>Color Temp</b> CT Field Adjust. 2700K 3000K 3500K 4000K 5000K * Utilize 5-way switch to select	<b>Finish</b> [Blank] White
<b>Options</b>						
<b>Controls</b> WLC/BT Wireless Bluetooth Lighting Control Node						

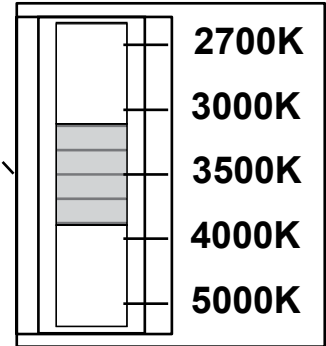
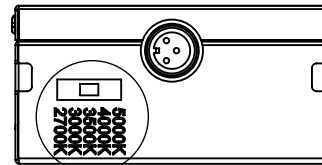
Performance Summary

Input Voltage	120V
Input Frequency	60 Hz
Rated Wattage	See Performance Table
Delivered Lumens	See Performance Table
Efficacy	> 80 LPW (typ.)
CRI	90+
R9	R9 > 50
Available CCT	2700K/3000K/3500K/4000K/5000K
Rated Life	50,000 hours
L70 <sup>3</sup>	54,000 hours
Power Factor	> 0.9
THD	< 25%
Dimming	10%-100% TRIAC Dimming
Operating Temp.	-25°C to 40°C

Field-Adjustable CCT



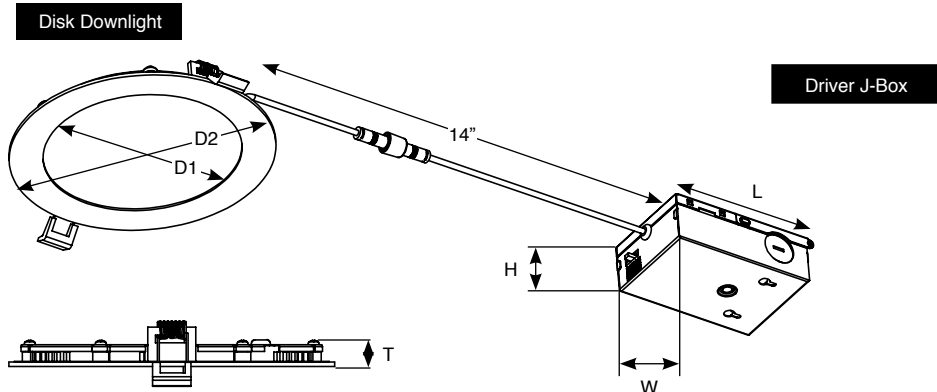
Color temp. Adjustable via switches on the driver box.



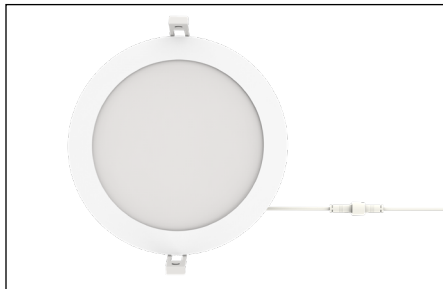
Performance Data

Form Factor	Catalog No.	Nominal Wattage	Color Temperature	Lumens (lm)	Wattage (W)	Efficacy (lm/W)
6"	SLD-6-14W-120/9CT G2	14	2700K	1,139	13.0	87.6
			3000K	1,195	12.9	92.6
			3500K	1,264	12.6	100.3
			4000K	1,310	12.6	104.0
			5000K	1,313	13.1	100.2

Product Dimensions



Model No.	Disk Downlight			Driver J-Box		
	D1	D2	T	L	W	H
SLD-6-14W-120/9CT T24	6.10"	6.69"	0.45"	4.2"	2.74"	1.36"



© 2024 Aleo Lighting, Inc. All rights reserved. For informational purposes only. Reproduction in whole or part is prohibited without prior written consent of the copyright owner. The information presented in this document does not form part of any quotation or contract, is believed to be accurate and reliable and may be changed without notice. No liability will be accepted by the publisher for any consequences of its use. Aleo Lighting reserves the rights make changes in specification at any time without notice.

Aleo Lighting, Inc.  
 www.aleolighting.com  
 10988 Bloomfield Ave.  
 Santa Fe Springs, CA 90670  
 Ph: 877-358-8825

