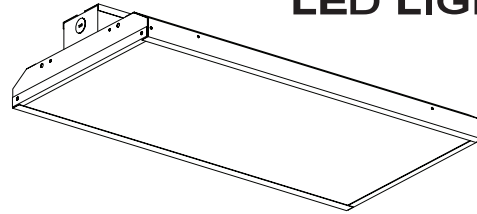


SLB™ Series

Slim Linear LED High Bay

Includes: SLB2, SLB4



INSTALLATION INSTRUCTIONS

READ AND FOLLOW ALL SAFETY INSTRUCTIONS

WARNING

FAILURE TO FOLLOW THESE INSTRUCTIONS AND WARNINGS MAY RESULT IN SERIOUS INJURY OR DAMAGE TO PROPERTY

For your safety, thoroughly read these instructions and warnings in its entirety prior to installing or servicing this product. These instructions do not attempt to cover all installation and maintenance circumstances. If you do not understand these instructions or if additional information is needed, please contact Aleo Lighting customer service.

WARNING

RISK OF FIRE OR ELECTRIC SHOCK

This product must be installed and serviced by a professional electrician in accordance with applicable federal, state, and local laws, regulations, and electrical code. If not qualified, do not attempt installation of this product. Contact a qualified electrician.

WARNING

RISK OF FIRE, ELECTRIC SHOCK, or PERSONAL INJURY

To avoid risk of electrical shock, turn off power before installing or servicing.

Verify that supply voltage is correct by comparing with the input voltage on the luminaire label

Make all electrical and ground connections in accordance with NEC and any applicable code requirements

WARNING

RISK OF PERSONAL INJURY

To prevent wiring damage or abrasion, do not expose wiring to edges of sheet metal or other sharp objects
Do not make or alter any open holes in any of the enclosures with wiring or electrical components during installation

SAVE THESE INSTRUCTIONS FOR FUTURE REFERENCE

Suitable for Dry or Damp Location

WARNING

This luminaire is made for permanent installation in ordinary (non-hazardous) locations in accordance with NEC code and all applicable local and federal codes. Do not use in applications with limited ventilation or high ambient temperature enclosures.

TURN OFF POWER BEFORE INSTALLING

Electrical Connection

1. Connect BLACK (line) driver lead to voltage supply Line position (HOT).
2. Connect driver WHITE lead to the NEUTRAL supply position.
3. Connect the GREEN ground lead to the supply ground lead.

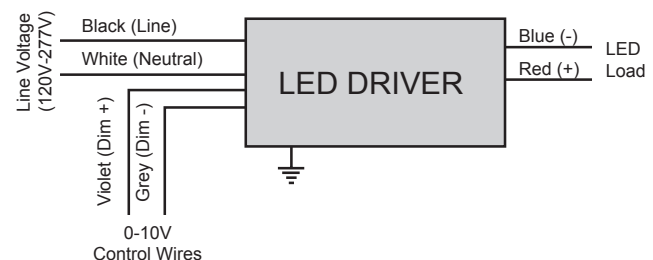
If using 0-10V dimming:

4. Connect VIOLET lead to supply POSITIVE dimming lead.
5. Connect GREY lead to the supply NEGATIVE dimming lead.

If NOT using 0-10V dimming:

6. Ensure VIOLET and GREY 0-10V dimming leads are properly capped.

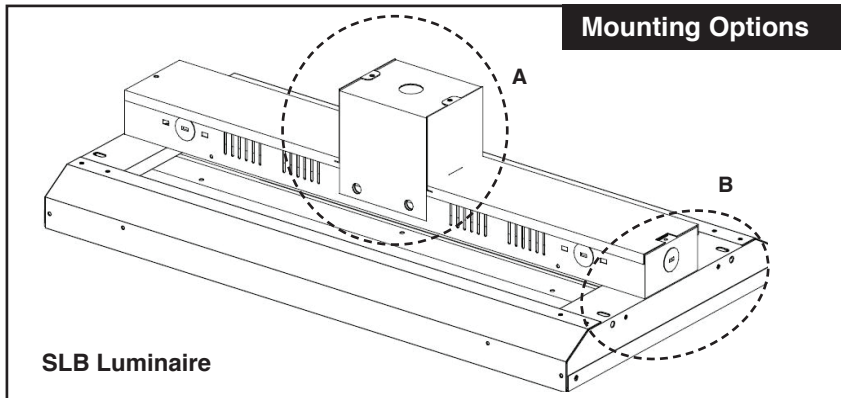
Wiring Diagram



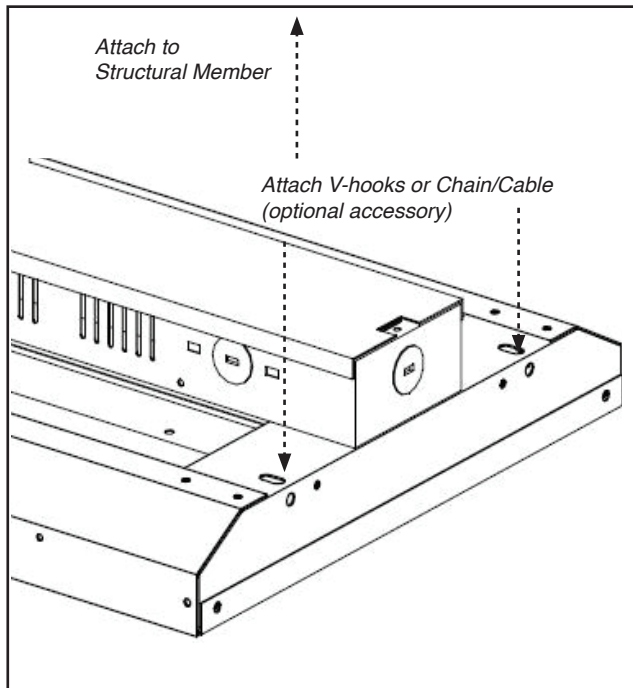
SLB™ Series

Slim Linear LED High Bay

TO INSTALL:



A SUSPENSION MOUNT - CABLE OR CHAIN INSTALLATION



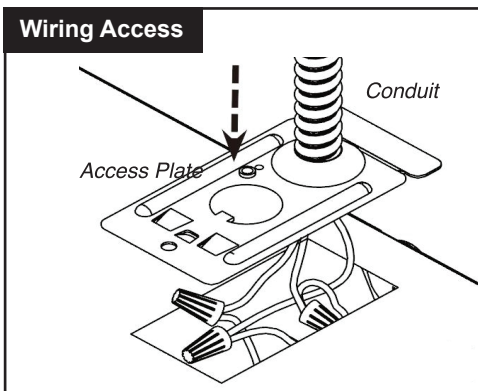
Please follow all UL, NEC, and local code minimum load rating guidelines when selecting chain or cable.

If using V-hook mounting kit:

1. Attach V-hooks (optional accessory or supplied by others) to the slots on the top ends of the luminaire.
2. Secure chain or cable to the structure using hardware rated for the load. Install opposite end of chain or cable (optional accessory or supplied by others) into V-hook wire hangers. Make sure V-hooks are fully engaged into the side holes on the top channel.

If using Cable/Chain:

1. Hang (2) cables/chain from a structural member of ceiling. Luminaire must be supported independently of a J-box/outlet box.
2. Loop cable or chain through mounting slots located on the top of each luminaire end.
3. Cable/chain mounting locations must be in the slots closest to the end-cap. Make sure cable/chain hooks are fully engaged into the side holes of the top channel.



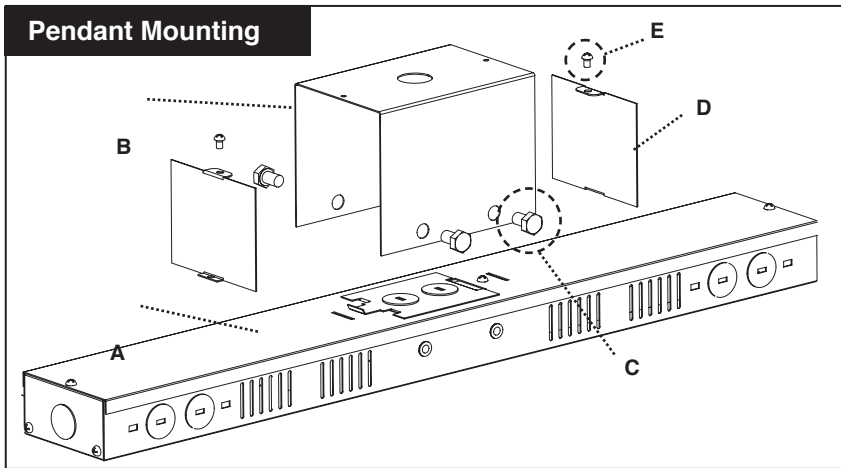
Make all electrical connections to the fixture. Attach wiring access plate cover.

SEE PAGE 1 for Electrical Connection and wiring diagram instructions.

SLB™ Series

Slim Linear LED High Bay

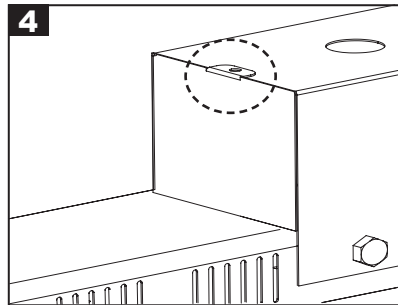
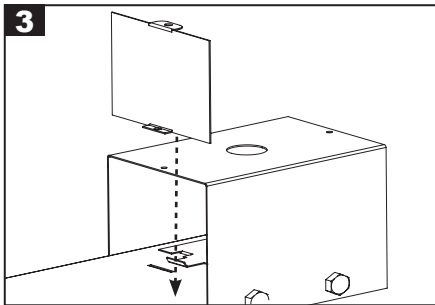
B PENDANT MOUNT INSTALLATION*



- A:** SLB Driver Channel
- B:** Pendant Mount Box
- C:** Large Screws (4)
- D:** Pendant Mount Side Plate (2)
- E:** Small Screws (2)

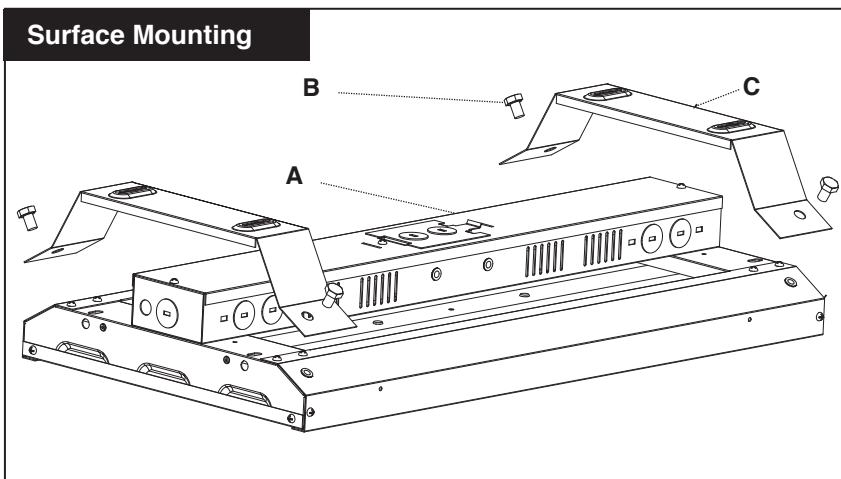
INSTALLATION STEPS:

1. Place Pendant Mount Box (B) on SLB Driver Channel (A) to align with the holes, located on the side of the driver channel.
2. Using the four (4) large screws (C), that are provided, secure the Pendant Mount Box (B) to the fixture Driver Channel (A).
3. Slide the Pendant Mount Side Plate (D) into the slot located on top of the Driver Channel (A). Repeat for other side.
4. Once both of the Pendant Mount Side Plates (D) are hooked into the Driver Channel. Using the two (2) small screws (E) secure the Side Plates onto the Pendant Mount Box (B).



** Pendant Mount Kit (PMK) Sold Separately. Not included with SLB Fixture

C Surface Mount INSTALLATION*



- A:** SLB Fixture
- B:** Large Screws (4)
- C:** Surface Mount Bracket

INSTALLATION STEPS:

1. Place Surface Mount Bracket (C) on SLB Fixture (A) and align with the holes, located on the corner of the fixture.
2. Using the four (4) large screws (B), that are provided, secure the Mount Bracket (C) to the Fixture (A).

** Surface Mount Kit Sold Separately. Not included with SLB Fixture

aleo™
LED LIGHTING

Aleo Lighting, Inc.
www.aleolighting.com
13924 Bettencourt St.
Cerritos, CA 90703
877-358-8825

© 2019 Aleo Lighting, Inc. All rights reserved. For informational purposes only. Reproduction in whole or part is prohibited without prior written consent of the copyright owner. The information presented in this document does not form part of any quotation or contract, is believed to be accurate and reliable and may be changed without notice. No liability will be accepted by the publisher for any consequences of its use.