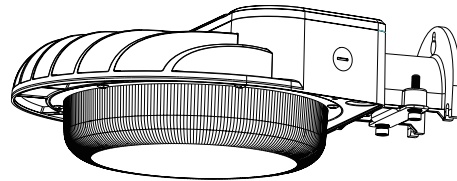


SLA™ Series

Dusk to Dawn Security Area Light

Includes: SLA

aleo™
LED LIGHTING



INSTALLATION INSTRUCTIONS

READ AND FOLLOW ALL SAFETY INSTRUCTIONS

WARNING

FAILURE TO FOLLOW THESE INSTRUCTIONS AND WARNINGS MAY RESULT IN SERIOUS INJURY OR DAMAGE TO PROPERTY

For your safety, thoroughly read these instructions and warnings in its entirety prior to installing or servicing this product. These instructions do not attempt to cover all installation and maintenance circumstances. If you do not understand these instructions or if additional information is needed, please contact Aleo Lighting customer service.

WARNING

RISK OF FIRE OR ELECTRIC SHOCK

This product must be installed and serviced by a professional electrician in accordance with applicable federal, state, and local laws, regulations, and electrical code. If not qualified, do not attempt installation of this product. Contact a qualified electrician.

WARNING

RISK OF FIRE, ELECTRIC SHOCK, or PERSONAL INJURY

To avoid risk of electrical shock, turn off power before installing or servicing.

Verify that supply voltage is correct by comparing with the input voltage on the luminaire label

Make all electrical and ground connections in accordance with NEC and any applicable code requirements

WARNING

RISK OF PERSONAL INJURY

To prevent wiring damage or abrasion, do not expose wiring to edges of sheet metal or other sharp objects
Do not make or alter any open holes in any of the enclosures with wiring or electrical components during installation

SAVE THESE INSTRUCTIONS FOR FUTURE REFERENCE

Suitable for Wet Location

WARNING

This luminaire is made for permanent installation in ordinary (non-hazardous) locations in accordance with NEC code and all applicable local and federal codes. Do not use in applications with limited ventilation or high ambient temperature enclosures.

TURN OFF POWER BEFORE INSTALLING

Electrical Connection

1. Connect BLACK (line) driver lead to voltage supply Line position (HOT).
2. Connect driver WHITE lead to the NEUTRAL supply position.
3. Connect the GREEN ground lead to the supply ground lead.

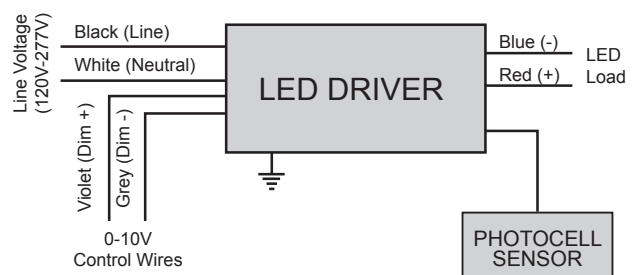
If using 0-10V dimming:

4. Connect VIOLET lead to supply POSITIVE dimming lead.
5. Connect GREY lead to the supply NEGATIVE dimming lead.

If NOT using 0-10V dimming:

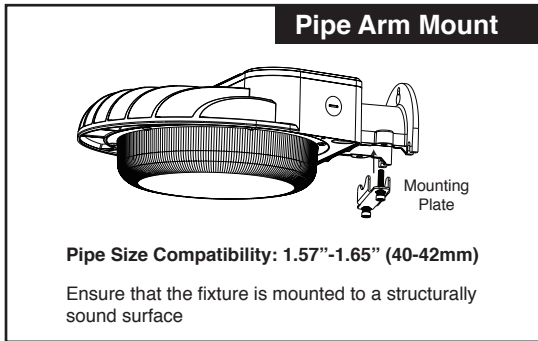
6. Ensure VIOLET and GREY 0-10V dimming leads are properly capped.

Wiring Diagram



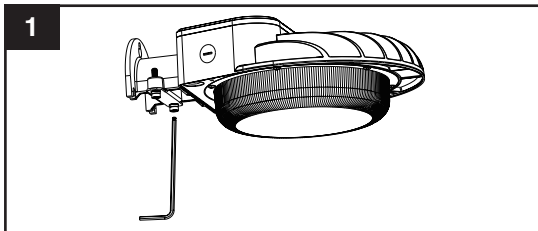
TO INSTALL:

A PIPE ARM INSTALLATION



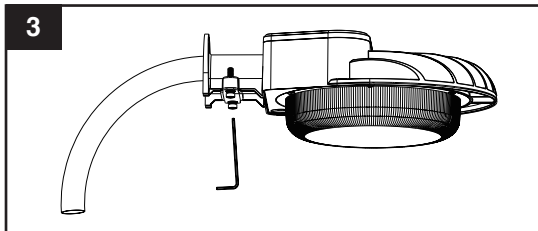
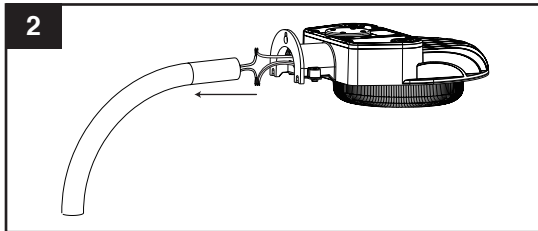
MAKE SURE POWER IS TURNED OFF BEFORE INSTALLATION AND WIRING.

NOTE: This fixture is intended for use with conduit connectors, conduit, and junction box that are UL listed suitable for wet locations and are properly installed and grounded.



INSTALLATION STEPS:

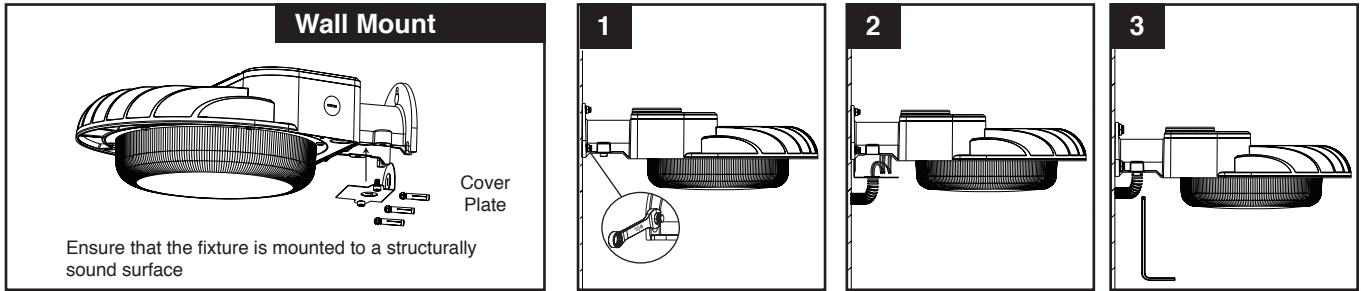
1. Loosen the installation plate on the arm by using an M5 or 3/16" hex key (Figure 1).
2. Slide mounting arm of fixture onto the pipe. Feed supply wires (AC mains) from arm into the fixture. Make necessary connections from AC mains to fixture input leads. SEE PAGE 1 for Electrical Connection and wiring diagram instructions (Figure 2).
3. Tighten screws on the installation plate by using an M5 or 3/16" hex key (Figure 3).



INSTALLER IS RESPONSIBLE FOR ENSURING PROPER FIXTURE ATTACHMENT AND WEATHER PROOFING, INCLUDING SEALING AND GASKETING OF CONNECTION TO PREVENT WATER INTRUSION.

TO INSTALL:

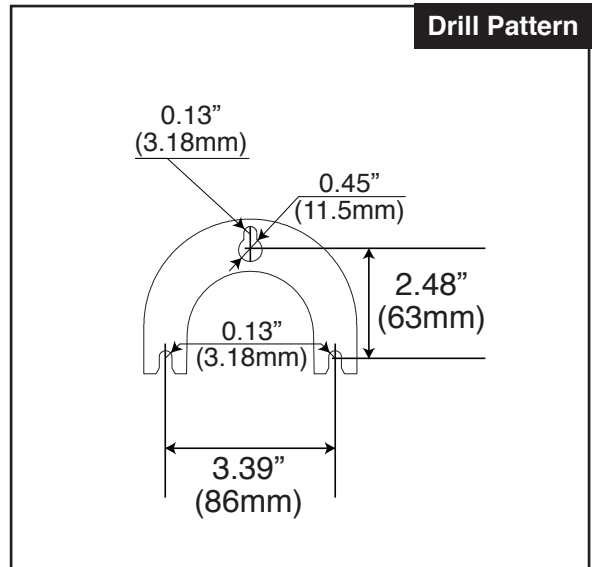
B WALL INSTALLATION



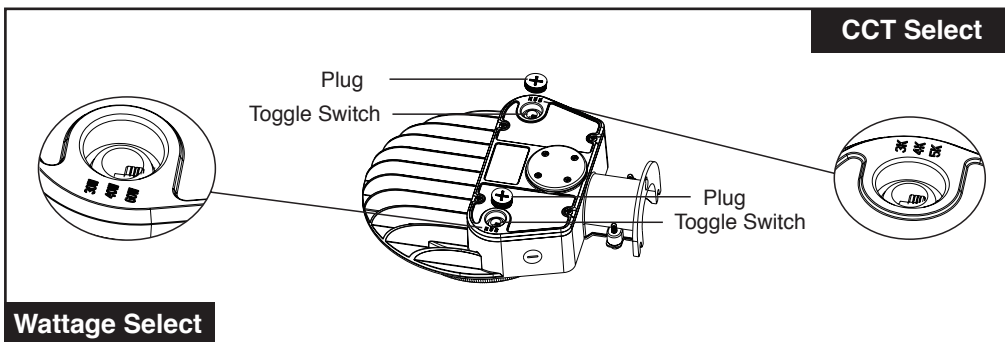
INSTALLATION STEPS:

1. Drill surface structure according to the wall mount drill pattern with a minimum of (3) holes. (If needed, use the appropriate anchors).
2. Ensure that the mounting position can safely support the weight of the luminaire.
3. Mount and fasten the luminaire to the surface structure. Make sure the luminaire is securely attached.
4. Remove knockout on bottom of Cover Plate and feed supply wires (AC mains conduit) through hole. Make necessary connections from AC mains to fixture input leads. SEE PG. 1 for Electrical Connection and wiring diagram instructions. (FIG 2).
5. Secure Cover Plate to housing with hex bolts, by using an M5 or 3/16" hex key .

INSTALLER IS RESPONSIBLE FOR ENSURING PROPER FIXTURE ATTACHMENT AND WEATHER PROOFING, INCLUDING SEALING AND GASKETING OF CONNECTION TO PREVENT WATER INTRUSION.



C FIELD ADJUSTABLE CCT AND LUMEN PACKAGE



aleo™
LED LIGHTING

Aleo Lighting, Inc.
www.aleoighting.com
10988 Bloomfield Ave.
Santa Fe Springs, CA 90670
Ph: 877-358-8825