



Project	
Notes	
Type	Date
Cat. No.	

SLA™ Series

Dusk to Dawn Security Area Light - Field Adjustable

DESCRIPTION

The Aleo SLA Series delivers high performance, energy savings illumination to a familiar form factor. Perfect for upgrading mercury vapor and HPS security/barn luminaires. Durable, versatile, and efficient. Field selectable CCT and lumen packages provides added flexibility.

APPLICATIONS

Streets, alleyways, farms, doorways, pathways, yards.



Specification Features



Construction

Rugged, die-cast housing with advanced thermal management system ensures reliability and durability. Weather-proof, gasketed driver compartment protects electronics against environmental elements.

Optical System

Precision-formed optical lens system reduces glare and improves safety and security by delivering high-efficiency illumination with precise optical distribution. Type V distribution comes standard.

Certification

UL Listed. All components have UL certification. DLC QPL Premium

Warranty

7-year Limited Warranty. See warranty documentation for more information.

Electrical

Field Selectable lumen output and color temp. Universal voltage:120V-277V input.

Installation / Mounting

Mounts directly to wooden posts or poles or can be used with existing mounting arm (not supplied).

Photocell

Comes Standard with built-in dusk-to-dawn photocell.

Field-Adjustable CCT / Wattage

Increased versatility and reduced inventory burden. Wattage and Color Temp. can be adjusted in the field by selecting (3) different wattages and (3) different CCTs via switch inside the housing.

SLA Series
30W/40W/60W

Rated Life 75,000 hours
Limited Warranty 7-years
Efficacy Up to 141 LPW
Continuous Dimming



Quick Ship
SLA-60UX/CT

Ordering Information

Example: SLA-60UX/CT

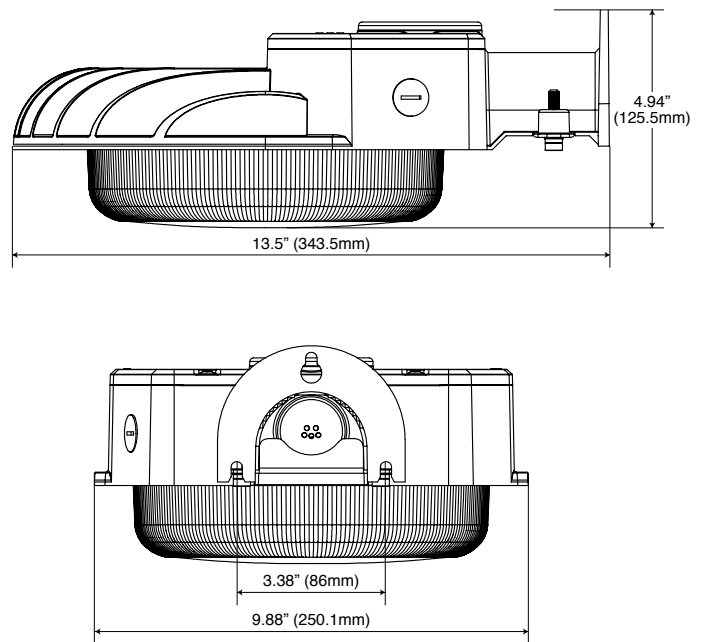
SLA	60	UX	CT	[Blank]	[Blank]	[Blank]
Series	Nominal Max Wattage	Lumen Package	Color Temp¹	Input Voltage	Controls	Finish Color
SLA Dusk to Dawn Security Area Light	60 30W/40W/60W	UX Field Adjustable Wattage	CT Field Adjustable 3000K 4000K 5000K	Blank 120V-277V	Blank Photocell	Blank Grey

Specifications and Dimensions subject to change without notice.

Performance Summary

Input Voltage	120V-277V
Input Frequency	50/60 Hz
Rated Wattage	See Performance Table
Delivered Lumens	See Performance Table
Efficacy	> 141 LPW (typ.)
CRI	> 80
Available CCT	3000K, 4000K, 5000K
Rated Life	75,000 hours
Power Factor	> 0.9
THD	< 20%
IP Rating	IP65
Operating Temp.	-40°C to 50°C
Surge Protection	4kV

Product Dimensions



Performance Data

Catalog No.	Rated Wattage (W)	Tested Wattage (W)	3000K		4000K		5000K	
			Delivered Lumens (lm)	Efficacy (lm/W)	Delivered Lumens (lm)	Efficacy (lm/W)	Delivered Lumens (lm)	Efficacy (lm/W)
SLA-60UX/CT	30	29.81	4,359	145.3	4,986	166.2	4,740	158
	40	39.75	5,756	143.9	6,584	164.6	6,256	156.4
	60	59.62	8,550	142.501	9,780	163	9,294	154.9

DLC QPL Data

QPL Model No.	Product ID	Technical Req.	Classification	Primary Use
SLA-60UX/CT	PLHN983KD8H1	5.1	Premium	Outdoor Full-Cutoff Wall-Mounted Area Luminaires

