

Project	
Notes	
Type	Date
Cat. No.	

RPC™ UX Series

Round LED Parking Garage Canopy

DESCRIPTION

The Aleo RPC™ Series combines energy-efficiency, advanced optical control, and modern slim profile aesthetics to deliver enhanced performance to parking garage and parking structure applications. Ideal for environments seeking higher light levels and improved safety, security. Rugged die-cast housing provides advanced thermal management for long life and weather-proof compartment to withstand challenging environments.



APPLICATIONS

Parking garages, parking structures, drive-ways, solar canopies.



Specification Features

Construction

Rugged, die-cast housing with advanced thermal management system ensures reliability and durability. Weather-proof, gasketed driver compartment protects electronics against environmental elements.

Optical System

Precision-formed optical lens system improves safety and security by delivering high-efficiency illumination with precise optical distribution. Type IV distribution comes standard.

Certification

UL Listed. All components have UL certification.

Warranty

7-year Limited Warranty. See warranty documentation for more information.

Electrical

Luminaire utilizes high-efficacy LED packages maintained at cool temperatures for long life, high efficacy. Reliable driver features universal voltage (120-277V) for convenient installation.

Installation / Mounting

Luminaire comes standard with mounting cover for quick and easy installation.

Controls / Dimming

Continuous dimming (0-10V) comes standard. Suitable for use with sensors and photocells to achieve deeper energy-savings and code compliance. Comes standard with receptacle for plug and play occupancy sensor or photocell.

Field Adjustable CCT / Wattage

Increased versatility and reduced inventory burden. Color Temp. can be adjusted in the field by selecting (3) different CCTs and (5) different wattages via switch in driver compartment.

RPC Series

32W / 36W / 40W /
48W / 55W

Rated Life 75,000 hours
Limited Warranty 7-year
Efficacy Up to 160 LPW
Continuous Dimming

Quick Ship

RPC-55UX/CT G2 (SR/RC)

Ordering Information

Example: RPC-55UX/CT G2 (SR/RC)

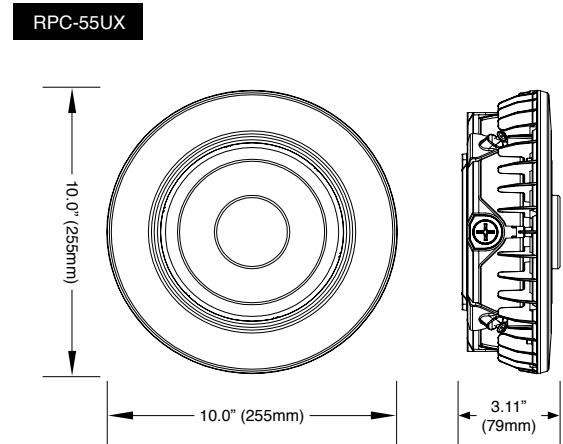
RPC	40	UX	CT	[Blank]	[Blank]
Series	Max. Wattage	Lumen Package	Color Temp	Input Voltage	Finish Color
RPC Round LED Parking Garage Canopy Luminaire	55 32W / 36W / 40W / 48W / 55W	UX Field Adjustable Wattage	CT Adjustable CCT 3000K/4000K/5000K	Blank 120V-277V	Blank White
	(SR/RC)			Options	
	Controls* SR/RC Sensor Ready with sensor receptacle for field installed sensor <small>*See pg. 2 for plug and play sensor ordering info</small>			Designation BAA Buy American Act Compliant	BABAA Build America, Buy America Act Compliant

Specifications and Dimensions subject to change without notice.

Performance Summary

Input Voltage	120V-277V
Input Frequency	50/60 Hz
Rated Wattage	See Performance Table
Delivered Lumens	See Performance Table
Efficacy	> 145+ LPW (typ.)
CRI	80+, R9 > 0
Adjustable CCT	3000K/4000K/5000K
Rated Life	75,000 hours
Power Factor	> 0.9
THD	< 20%
IP Rating	IP65, Wet Location
Operating Temp.	-30°C to 50°C

Product Dimensions



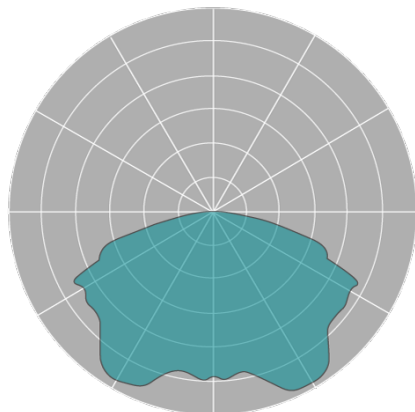
Performance Data

Catalog No.	Rated Wattage (W)	Tested Wattage (W)	3000K		4000K		5000K	
			Delivered Lumens (lm)	Efficacy (lm/W)	Delivered Lumens (lm)	Efficacy (lm/W)	Delivered Lumens (lm)	Efficacy (lm/W)
RPC-55UX/CT G2 (SR/RC)	32	31.5	4829	153	5169	164	5046	160
	36	35.4	5374	152	5753	163	5614	159
	40	39.3	5907	150	6323	161	6170	157
	48	47.2	7023	149	7519	159	7335	155
	55	54.1	7965	147	8527	158	8321	154

Photometric Information

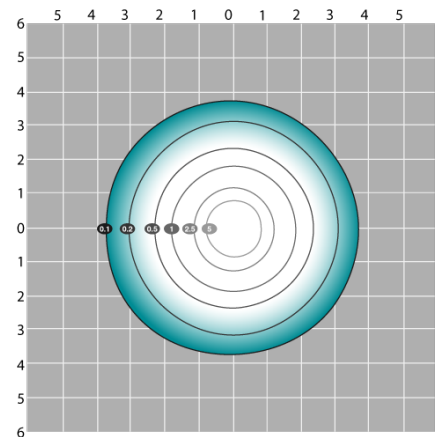
55W

RPC-55UX-CT/G2 - 3000K



Zonal Lumen Summary

Zone	Lumens	% Luminaire
0-30	1349.2	18.2%
0-40	2401.3	32.3%
0-60	4758.1	64.1%
60-90	2432.3	32.7%
70-100	1248.7	16.8%
90-120	171.7	2.3%
0-90	7190.5	96.8%
90-180	237.6	3.2%
0-180	7428.1	100%



Sensor Options



Catalog No.	Description	Ordering	Shipping	Remote Control	Sensor Mounting
SHF-OSDL/IR-PP1-LV-10V-A01	Microwave, Occ. Sensor w/ Daylight	Order and Ship Separately	Field Install	-	Plug and Play Audio Jack Receptacle
SPIR-OSDL/IR-PP1-DC-130	PIR Occ. Sensor w/ Daylight	Order and Ship Separately	Field Install	-	Plug and Play Audio Jack Receptacle
SPIR-OSDL/BT-PP1-DC-300	AleoBlue Bluetooth PIR Occ. Sensor w/ Daylight	Order and Ship Separately	Field Install	AleoBlue App	Plug and Play Audio Jack Receptacle
SPIR-OSDL/BTEZ-PP1-DC-100	SimplBlue Bluetooth PIR Occ. Sensor w/ Daylight	Order and Ship Separately	Field Install	SimplBlue App	Plug and Play Audio Jack Receptacle

BAA and BABAA Compliant



BAA - Buy America Act Compliant

Complies and Qualifies for projects requiring Buy America Act (BAA) compliant product

BABAA - Build America, Buy America Compliant

Complies and Qualifies for projects requiring Build America, Buy America Act (BABAA) compliant product

*Note: BAA and BABAA product will require lead times approximately ranging from 12-18 weeks. Contact your Aleo representative for more information



Aleo Lighting, Inc.
 www.aleolighting.com
 10988 Bloomfield Ave.
 Santa Fe Springs, CA 90670
 Ph: 877-358-8825

© 2024 Aleo Lighting, Inc. All rights reserved. For informational purposes only. Reproduction in whole or part is prohibited without prior written consent of the copyright owner. The information presented in this document does not form part of any quotation or contract, is believed to be accurate and reliable and may be changed without notice. No liability will be accepted by the publisher for any consequences of its use. Aleo Lighting reserves the rights make chages in specification at any time without notice.