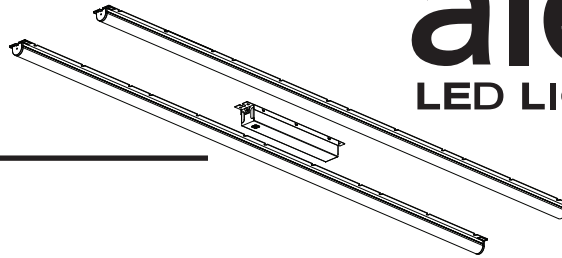


RKLS™ Series

Magnetic Module Retrofit Kit

Includes: RKLS-44, RKLS-22



INSTALLATION INSTRUCTIONS

READ AND FOLLOW ALL SAFETY INSTRUCTIONS

WARNING

FAILURE TO FOLLOW THESE INSTRUCTIONS AND WARNINGS MAY RESULT IN SERIOUS INJURY OR DAMAGE TO PROPERTY

For your safety, thoroughly read these instructions and warnings in its entirety prior to installing or servicing this product. These instructions do not attempt to cover all installation and maintenance circumstances. If you do not understand these instructions or if additional information is needed, please contact your Aleo Lighting customer service.

WARNING

RISK OF FIRE, ELECTRIC SHOCK, or PERSONAL INJURY

To avoid risk of electrical shock, turn off power before installing or servicing. Verify that supply voltage is correct by comparing with the input voltage on the luminaire label. Make all electrical and ground connections in accordance with NEC and any applicable code requirements.

WARNING

RISK OF PERSONAL INJURY

To prevent wiring damage or abrasion, do not expose wiring to edges of sheet metal or other sharp objects. Do not make or alter any open holes in any of the enclosures with wiring or electrical components during installation.

WARNING

RISK OF FIRE OR ELECTRIC SHOCK

This product must be installed and serviced by a professional electrician in accordance with applicable federal, state, and local laws, regulations, and electrical code. If not qualified, do not attempt installation of this product. Contact a qualified electrician. Install this kit only in the luminaires that have the construction features and dimensions shown in the photographs and/or drawings. Luminaire wiring and electrical parts may be damaged when drilling for installation of LED retrofit kit. Check for enclosed wiring and components.

SAVE THESE INSTRUCTIONS FOR FUTURE REFERENCE

Suitable for Dry or Damp Location

WARNING

This luminaire is made for permanent installation in ordinary (non-hazardous) locations in accordance with NEC code and all applicable local and federal codes. Do not use in applications with limited ventilation or high ambient temperature enclosures.

TURN OFF POWER BEFORE INSTALLING

Electrical Connection

1. Connect BLACK (line) driver lead to voltage supply Line position (HOT).
2. Connect driver WHITE lead to the NEUTRAL supply position.
3. Connect RED driver lead to each LED Module (+) and BLUE driver lead to each LED Module (-).
4. Cap unused Red and Blue lead (separately) if single module is connected.

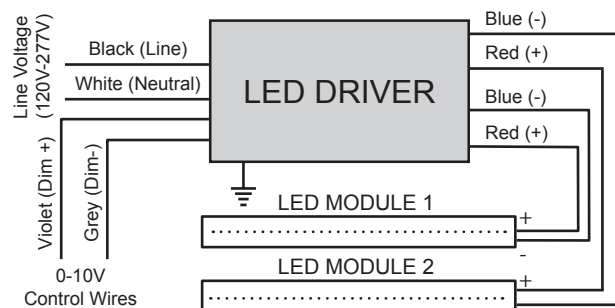
If using 0-10V dimming:

5. Connect VIOLET lead to supply POSITIVE dimming lead.
6. Connect GREY lead to supply NEGATIVE dimming lead.

If NOT using 0-10V dimming:

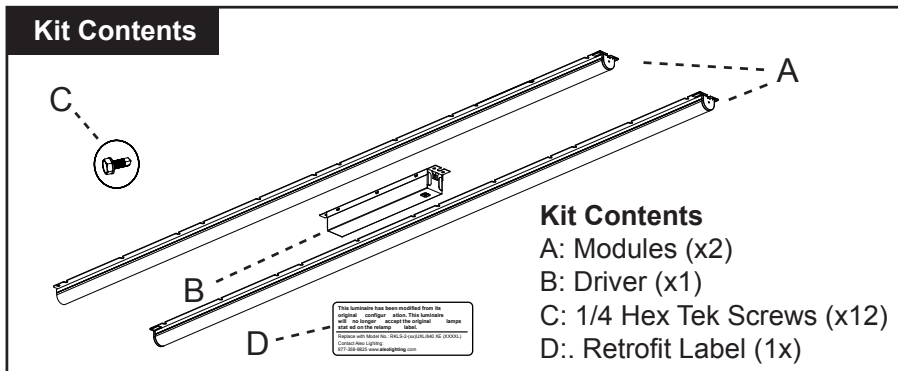
7. Ensure VIOLET and GREY 0-10V dimming leads are properly capped (separately).

Wiring Diagram



RKLS™ Series Magnetic Module Retrofit Kit

TO INSTALL:



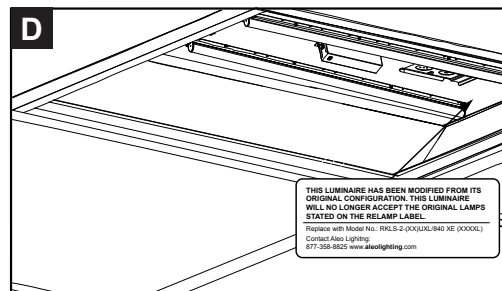
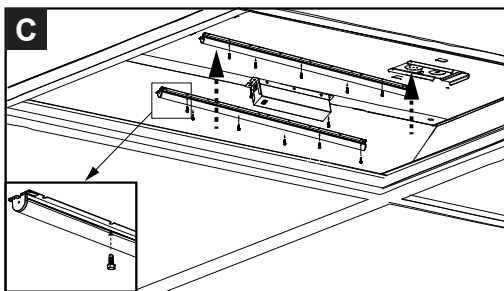
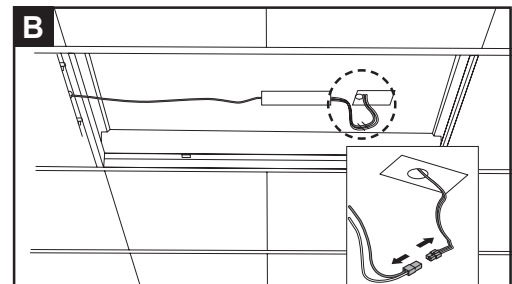
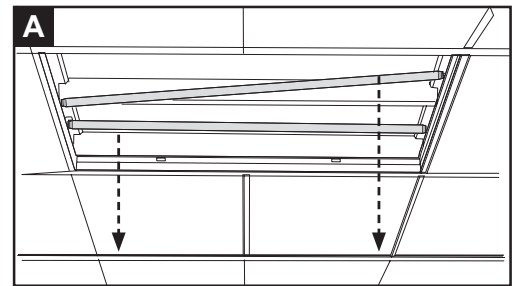
Fixture Retrofit Compatibility Troffer, Strip, Vapor Tight, Wraparound

CAUTION: TURN OFF POWER BEFORE INSTALLING

Note: The lens on the modules can be removed, if there is lens on original by removing module end caps and sliding lens off.

Typical Luminaire Retrofit

1. Remove lamps, original ballast cover and sockets / brackets. **(Figure A)**
 2. Disconnect AC mains from ballast **(Figure B)**. Optional: remove existing ballast.
 3. OPTIONAL: Remove LED module lens by carefully removing module end caps and sliding lens off.
 4. Place the LED Modules (A) into existing fixture housing with the desired alignment and placement. Secure the LED modules to the luminaire using provided Tek Screws (C). Ensure modules are securely fastened **(Figure C)**
- CAUTION:** Luminaire wiring and electrical parts may be damaged when drilling for installation of LED retrofit kit. Check for enclosed wiring and components.
5. Mount LED Driver (B) onto the luminaire, and secure with provided screws. Ensure proper driver grounding.
 6. Place Retrofit Label (D) inside existing host fixture. **(Figure D)**
 7. SEE PG.1 for Electrical Connection and wiring diagram instructions. Connect LED driver output leads to LED module input connectors (RED to +, BLUE to -).
 8. Connect AC mains to LED Driver input Leads.
 9. OPTIONAL: Secure original ballast cover and lens onto fixture.



aleo™
LED LIGHTING

Aleo Lighting, Inc.
 www.aleolighting.com
 13924 Bettencourt Street
 Cerritos, CA 90703
 Ph: 877-358-8825
 RKLS-IS-rev01

© 2020 Aleo Lighting, Inc. All rights reserved. For informational purposes only. Reproduction in whole or part is prohibited without prior written consent of the copyright owner. The information presented in this document does not form part of any quotation or contract, is believed to be accurate and reliable and may be changed without notice. No liability will be accepted by the publisher for any consequences of its use.