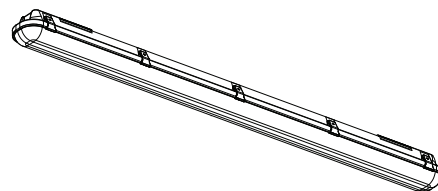


LVX™ UX Series

LED Linear Vapor Tight

Includes: LVX-4-UX, LVX-8-UX



INSTALLATION INSTRUCTIONS

READ AND FOLLOW ALL SAFETY INSTRUCTIONS

WARNING

FAILURE TO FOLLOW THESE INSTRUCTIONS AND WARNINGS MAY RESULT IN SERIOUS INJURY OR DAMAGE TO PROPERTY

For your safety, thoroughly read these instructions and warnings in its entirety prior to installing or servicing this product. These instructions do not attempt to cover all installation and maintenance circumstances. If you do not understand these instructions or if additional information is needed, please contact Aleo Lighting customer service.

WARNING

RISK OF FIRE OR ELECTRIC SHOCK

This product must be installed and serviced by a professional electrician in accordance with applicable federal, state, and local laws, regulations, and electrical code. If not qualified, do not attempt installation of this product. Contact a qualified electrician.

WARNING

RISK OF FIRE, ELECTRIC SHOCK, or PERSONAL INJURY

To avoid risk of electrical shock, turn off power before installing or servicing.

Verify that supply voltage is correct by comparing with the input voltage on the luminaire label

Make all electrical and ground connections in accordance with NEC and any applicable code requirements

WARNING

RISK OF PERSONAL INJURY

To prevent wiring damage or abrasion, do not expose wiring to edges of sheet metal or other sharp objects
Do not make or alter any open holes in any of the enclosures with wiring or electrical components during installation

SAVE THESE INSTRUCTIONS FOR FUTURE REFERENCE

Suitable for Wet Location

WARNING

This luminaire is made for permanent installation in ordinary (non-hazardous) locations in accordance with NEC code and all applicable local and federal codes. Do not use in applications with limited ventilation or high ambient temperature enclosures.

TURN OFF POWER BEFORE INSTALLING

Electrical Connection

1. Connect BLACK (line) driver lead to voltage supply Line position (HOT).
2. Connect driver WHITE lead to the NEUTRAL supply position.
3. Connect the GREEN ground lead to the supply ground lead.

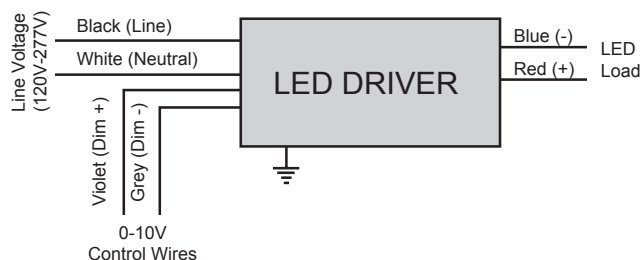
If using 0-10V dimming:

4. Connect VIOLET lead to supply POSITIVE dimming lead.
5. Connect GREY lead to the supply NEGATIVE dimming lead.

If NOT using 0-10V dimming:

6. Ensure VIOLET and GREY 0-10V dimming leads are properly capped.

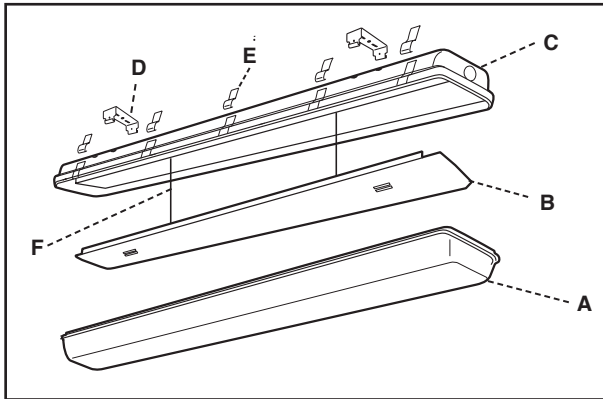
Wiring Diagram



L VX™ UX Series

LED Linear Vapor Tight

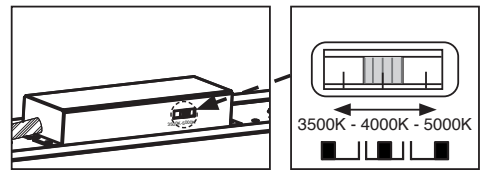
TO INSTALL:



Parts

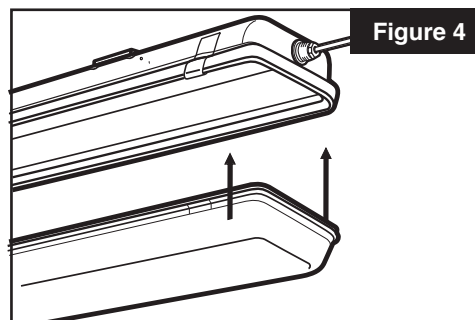
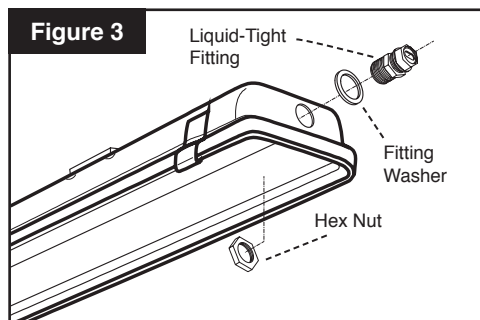
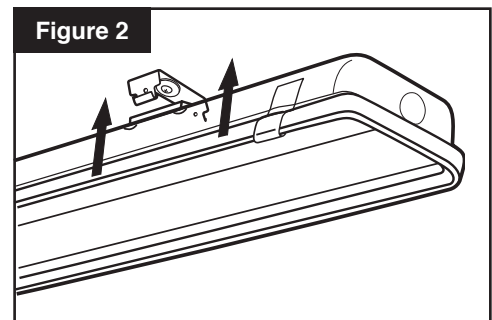
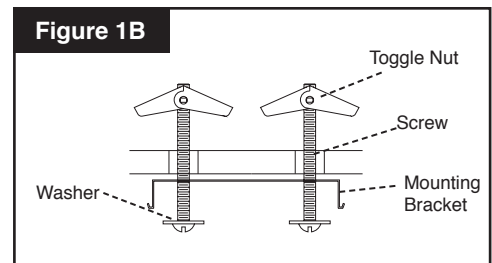
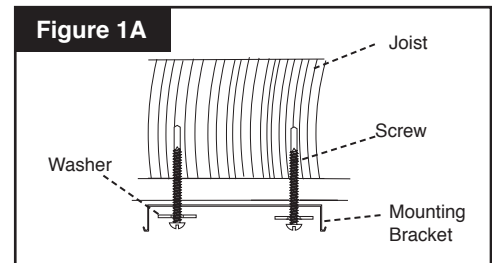
- A: Lens
- B: LED Gear Tray
- C: Luminaire Housing
- D: Mounting Brackets
- E: Latches
- F: Tether / Lanyards

Field-Adjustable CCT



Ceiling Mount using Mounting Brackets

1. Prepare luminaire by releasing clips and removing luminaire lens, set aside for installation later
2. Detach LED gear tray by squeezing tension clips
3. Attach brackets (supplied) to ceiling using screws (supplied by others). Mounting brackets must align with bracket slots located on the back of the luminaire
 - Figure 1A: If drill encounters ceiling joist
 - Figure 1B: If drill does not encounter ceiling joist
4. Push up on the luminaire until mounting brackets snap in place (Figure 2)
5. Locate tethers hanging from fixture body, snap tether clips to LED gear tray and carefully let gear tray hang down
6. Insert liquid tight conduit (supplied by others) and liquid tight conduit fitting (supplied by others) into desired conduit hole located on the end of the housing (Figure 3)
7. Make wiring connection.
SEE PAGE 1 for Electrical Connection and wiring diagram instructions.
NOTE: insert plug into unused conduit hole
8. Bring LED gear tray back up and snap in place
9. Reattach lens cover and secure using latches (Fig. 4)



aleo™
LED LIGHTING

Aleo Lighting, Inc.
www.aleolighting.com
10988 Bloomfield Ave. Santa Fe Springs, CA 90670
Ph: 877-358-8825

© 2020 Aleo Lighting, Inc. All rights reserved. For informational purposes only. Reproduction in whole or part is prohibited without prior written consent of the copyright owner. The information presented in this document does not form part of any quotation or contract, is believed to be accurate and reliable and may be changed without notice. No liability will be accepted by the publisher for any consequences of its use.