

Project	
Notes	
Type	Date
Cat. No.	

## LTR™ BTEZ Series

## LED Troffer Retrofit Kit - Field Adjustable

### DESCRIPTION

The Aleo LTR™ BTEZ Series Troffer Retrofit Kit delivers industry-leading Versatility with deep energy savings and continuous dimming. Easy and quick installation reduces labor cost and optimizes ROI. The retrofit kit eliminates the need to replace existing luminaire housing, which reduces install time and disposal/removal costs. The precision-formed diffuser produces comfortable and pleasant illumination, enhancing productive spaces in various applications.



### APPLICATIONS

Provides architectural aesthetics for retail, schools, offices, healthcare, and other various commercial applications.



### Specification Features

#### Construction

Simple construction with minimal parts allows for easy handling and installation. Luminaire features matte white durable finish.

#### Optical System

Reflector systems features highly reflective coating and delivers balanced, comfortable luminance for productive spaces. Diffuser lens reduces glare and improves occupant comfort while maintaining high efficiency emission.

#### Certification

UL Classified. All components have UL certification. UL Class 2. Driver: SCP, OTP, OVP protection, FCC Part 15 Class B, UL8750 Class 2.

#### Warranty

7-year Limited Warranty. See warranty documentation for more information.

#### Electrical

Luminaire utilizes high-efficacy LED packages maintained at cool temperatures for long life, high efficacy. Reliable driver features continuous dimming. Universal voltage (120-277V) for convenient installation. Comes equipped with luminaire quick-disconnect.

#### Field-Adjustable CCT

Increased versatility and reduced inventory burden. Wattage and Color Temp. can be adjusted in the field by using SimplBlue app to set CCT / lumen level.

#### Installation / Mounting

Installs in most troffer luminaires. Retrofit kit fits within troffer and ceiling T-bar grid, eliminating need to remove existing fixture housing.

#### Controls / Dimming

Continuous dimming (0-10V) comes standard. Integrated with daylight harvesting PIR sensor to achieve deeper energy-savings and code compliance.

### LTR Series

2x4 45W Max.

2x2 30W Max.

Rated Life 75,000 hours  
Limited Warranty 7-years  
Efficacy Up to 125 LPW  
Continuous Dimming



## Ordering Information

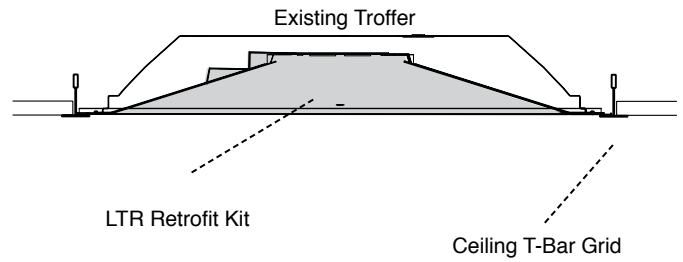
Example: LTR-24-UXL/8CT G5 ECO-HD/OSDL/BTEZ

LTR	24	UXL	8	CT	(XX)	[Blank]	[Blank]
<b>Series</b> LTR LED Troffer Retrofit Kit	<b>Form Factor</b> 24 2'x4' 22 2'x2'	<b>Lumen Package</b> UXL Field Adjustable	<b>CRI</b> 8 83+	<b>Color Temp</b> CT Field Adjust. 3000K 3500K 4000K 5000K <small>*Utilize SimplBlue App to adjust</small>	<b>Nominal Wattage</b> 2'x4' 45W Max. 2'x2' 30W Max. <small>*Utilize SimplBlue App to adjust</small>	<b>Design</b> HD Hinged Door Design	<b>Input Voltage</b> Blank 120V-277V
[Blank]	OSDL/BTEZ				Options		
<b>Dimming</b> Blank 0-10V Continuous Dimming	<b>Controls</b> OSDL/BTEZ SimplBlue Occupancy Sensor		<b>Emergency Backup<sup>1</sup></b> EM700 700lm EM1400 1400lm		<b>Designation</b> BAA Buy American Act Compliant BABAA Build America, Buy America Act Compliant		

Performance Summary

Input Voltage	120V-277V
Input Frequency	50/60 Hz
Rated Wattage	See Performance Table
Delivered Lumens	See Performance Table
Efficacy	> 125 LPW (typ.)
CRI	83+, R9 > 0
Available CCT	3000K / 3500K / 4000K / 5000K
Color Consistency	5-step MacAdam Ellipse
Rated Life	75,000 hours
L70 <sup>3</sup>	> 72,000 hours
Power Factor	> 0.9
THD	< 20%
Dimming	0-10V Continuous (0-100%)
Operating Temp	-20°C to 50°C

Mounting Information



Performance Data

Form Factor	Catalog No.	Rated Wattage (W)	3000K		3500K		4000K		5000K	
			Delivered Lumens (lm)	Efficacy (lm/W)	Delivered Lumens (lm)	Efficacy (lm/W)	Delivered Lumens (lm)	Efficacy (lm/W)	Delivered Lumens (lm)	Efficacy (lm/W)
2' x 4'	LTR-24-UXL/8CT G5 ECO-HD/OSDL/BTEZ	45	5850	130	5985	133	5985	133	5850	130
2' x 2'	LTR-22-UXL/8CT G5 ECO-HD/OSDL/BTEZ	30	3780	126	3930	131	3960	132	3840	128

Wireless Networked Lighting Controls (NLC) - Luminaire-Level



Integrated PIR Sensor with wireless Bluetooth Mesh. Use SimplBlue app to commission and set CCT / lumen level.

SimplBlue Bluetooth Wireless Controls

Luminaire Integrated



[www.aeolighting.com/simplblue](http://www.aeolighting.com/simplblue)

BAA and BABAA Compliant



**BAA - Buy America Act Compliant**

Complies and Qualifies for projects requiring Buy America Act (BAA) compliant product

**BABAA - Build America, Buy America Compliant**

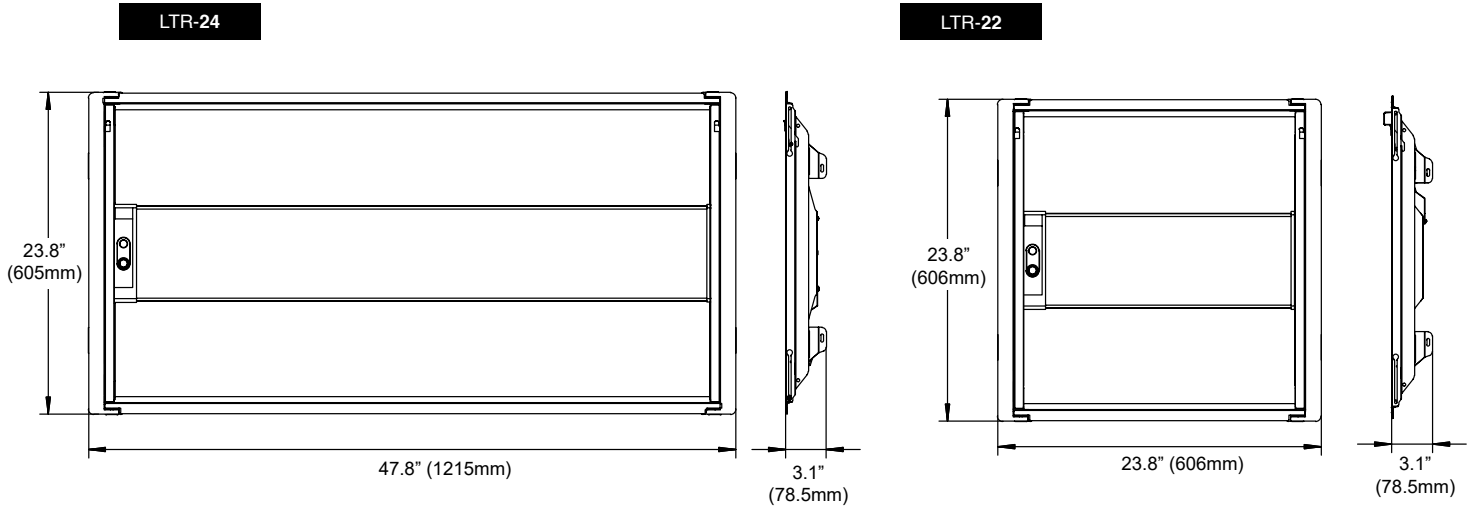
Complies and Qualifies for projects requiring Build America, Buy America Act (BABAA) compliant product

\*Note: BAA and BABAA product will require lead times approximately ranging from 12-18 weeks. Contact your Aleo representative for more information

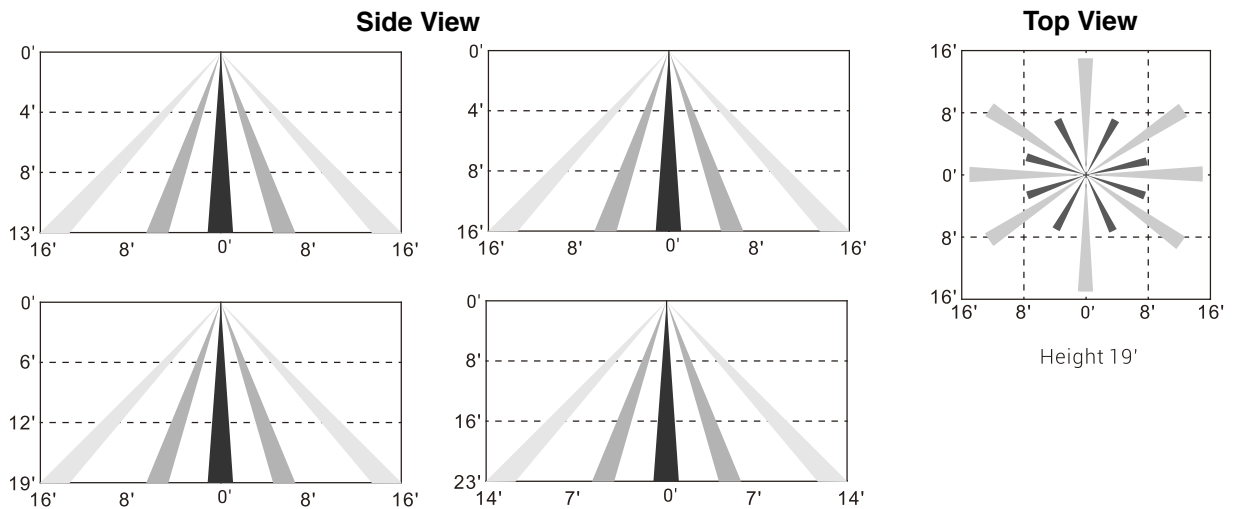
<sup>1</sup> IMPORTANT: THE BATTERY MUST BE RECHARGED EVERY THREE (3) MONTHS. IF NOT RECHARGED ACCORDINGLY, BATTERY MAY FAIL AND VOID WARRANTY

Product Dimensions

MOQ Carton Qty: 2



Occupancy Sensor Detection Pattern



DLC QPL Data



QPL Model No.	Product ID	Technical Req.	Classification	Primary Use
LTR-24-UXL/8CT G5 ECO-HD/OSDL/BTEZ	S-PJDY7M	5.1	Premium	Integrated Retrofit Kits for 2x4 Luminaires
LTR-22-UXL/8CT G5 ECO-HD/OSDL/BTEZ	S-02LWG6	5.1	Premium	Integrated Retrofit Kits for 2x2 Luminaires

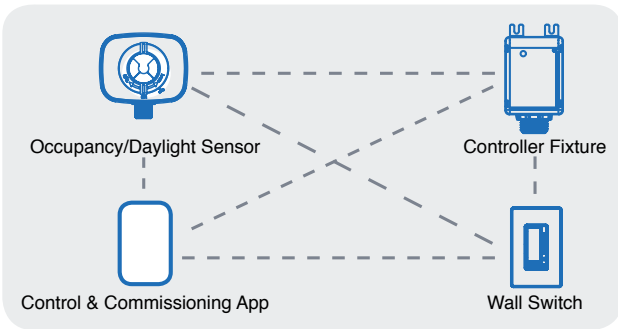
A Simple and Cost-Effective Localized Networked Lighting Control System Using Bluetooth Mesh.

**SimplBlue Wireless Bluetooth Controls**

SimplBlue Lighting Controls offers a complete gateway-free wireless system to control lights in a wide variety of applications. The system includes wireless fixture controllers, switches, and occupancy/daylight harvesting sensors all using Bluetooth® wireless technology. In addition to the system devices we also offer a fixture mounted controller and sensor with Bluetooth® technology providing wireless communication and occupancy/daylight harvesting control in one device. Each device has its own address for sending, receiving and sharing control commands through a wireless network. Expandability is easy with each device passing information to the next thus expanding the reach and control throughout the network.



Download the Commissioning App



Download the SimplBlue Commissioning App Instructions

**SimplBlue Lighting Controls Commissioning & Control App**

- For iOS or Android smartphone
- Commissioning: Switch on-off, Dimming,
- Color tuning/ Circadian Rhythms (Must work with corresponding drivers and led fixtures)
- Flexible zoning/ Scenarios setting/ Scheduling
- Wireless wall switch linkage setting
- Occupancy sensor setting, Daylight harvesting, Photocell control
- Admin control authority sharing with QR code

**System Functionality**

- Networking of luminaires
- Individual Addressability
- Occupancy sensing
- Daylight Harvesting/Photocell Control
- High-end Trimming
- Flexible Zoning
- Continuous Dimming

