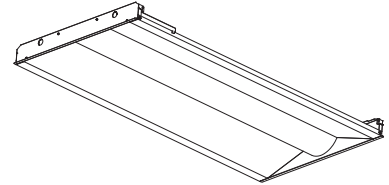


# LT-CD UXE™ Series

## Volumetric LED Troffer Luminaire

Includes: LT-CD-24, LT-CD-22, LT-CD-14

**aleo™**  
LED LIGHTING



## INSTALLATION INSTRUCTIONS

### READ AND FOLLOW ALL SAFETY INSTRUCTIONS

#### WARNING

##### FAILURE TO FOLLOW THESE INSTRUCTIONS AND WARNINGS MAY RESULT IN SERIOUS INJURY OR DAMAGE TO PROPERTY

For your safety, thoroughly read these instructions and warnings in its entirety prior to installing or servicing this product. These instructions do not attempt to cover all installation and maintenance circumstances. If you do not understand these instructions or if additional information is needed, please contact your Aleo Lighting customer service.

#### WARNING

##### RISK OF FIRE OR ELECTRIC SHOCK

This product must be installed and serviced by a professional electrician in accordance with applicable federal, state, and local laws, regulations, and electrical code. If not qualified, do not attempt installation of this product. Contact a qualified electrician.

#### WARNING

##### RISK OF FIRE, ELECTRIC SHOCK, or PERSONAL INJURY

To avoid risk of electrical shock, turn off power before installing or servicing.

Verify that supply voltage is correct by comparing with the input voltage on the luminaire label

Make all electrical and ground connections in accordance with NEC and any applicable code requirements

#### WARNING

##### RISK OF PERSONAL INJURY

To prevent wiring damage or abrasion, do not expose wiring to edges of sheet metal or other sharp objects  
Do not make or alter any open holes in any of the enclosures with wiring or electrical components during installation

### SAVE THESE INSTRUCTIONS FOR FUTURE REFERENCE

Suitable for Dry or Damp Location  
Recessed Luminaire for Type IC

#### WARNING

This luminaire is made for permanent installation in ordinary (non-hazardous) locations in accordance with NEC code and all applicable local and federal codes. Do not use in applications with limited ventilation or high ambient temperature enclosures.

#### Electrical Connection

1. Connect BLACK (line) driver lead to voltage supply Line position (HOT).
2. Connect driver WHITE lead to the NEUTRAL supply position.
3. Connect the GREEN ground lead to the supply ground lead.

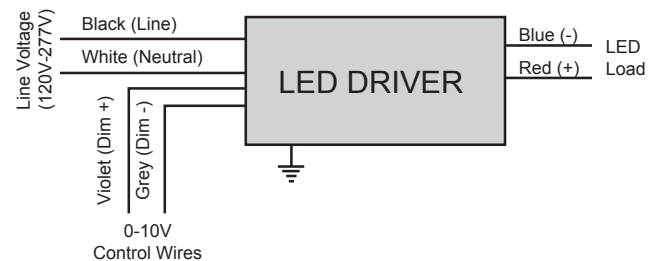
##### If using 0-10V dimming:

4. Connect VIOLET lead to supply POSITIVE dimming lead.
5. Connect GREY lead to the supply NEGATIVE dimming lead.

##### If NOT using 0-10V dimming:

6. Ensure VIOLET and GREY 0-10V dimming leads are properly capped.

#### Wiring Diagram

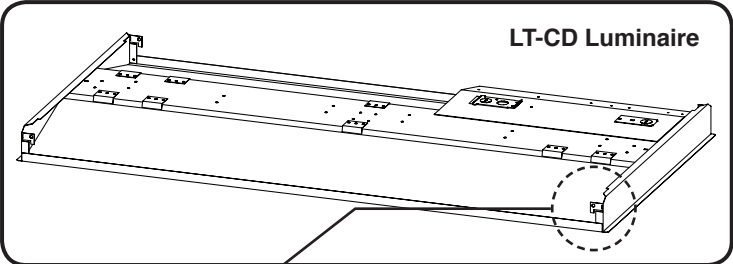


# LT-CD UXE™ Series

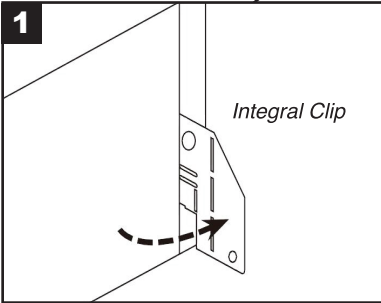
## Volumetric LED Troffer Luminaire

### TO INSTALL:

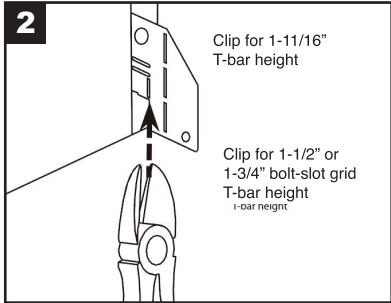
**Field-Adjustable Wattage & CCT**



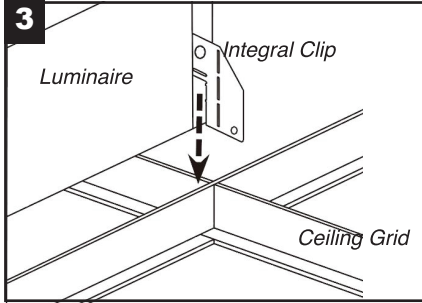
Position Luminaire in ceiling grid. Ensure integral t-bar clips are bent and snapped in place with the ceiling t-bar grid. See steps below for details.



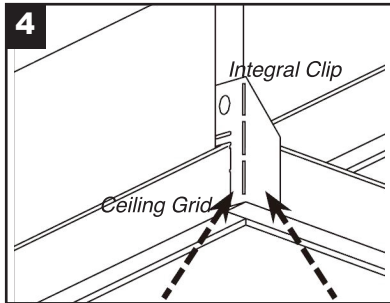
**1** Bend out integral T-bar clip 90 degrees. Repeat for all (4) corners.



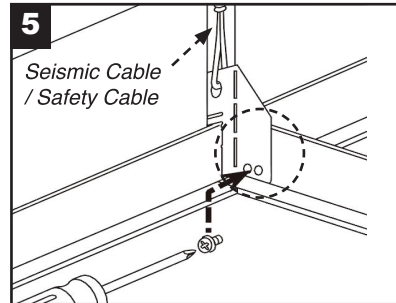
**2** Use cutters or pliers to adjust the each tab to the height of the ceiling T-bar.



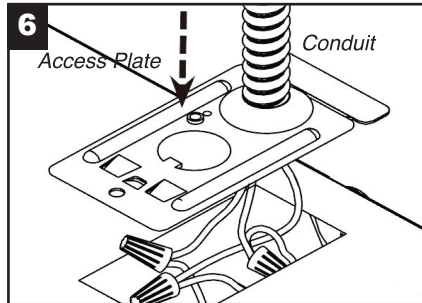
**3** Lay luminaire into T-bar grid. Ensure integral clips are snapped in place with T-bar.



**4** Bend clips flush against the T-bar grid to clear corners for ceiling tile.



**5** Use a #8 x 1/4" sheet metal screw to fasten the luminaire grid. Use appropriate seismic cable to secure the luminaire to the structure in accordance with local codes. (Screws and cable supplied by others).



**6** Ensure the wiring of the last fixture in the row is properly terminated. Make all electrical connections to the fixture. Attach wiring access plate cover.

SEE PAGE 1 for Electrical Connection and wiring diagram instructions.



© 2016 Aleo Lighting, Inc. All rights reserved. For informational purposes only. Reproduction in whole or part is prohibited without prior written consent of the copyright owner. The information presented in this document does not form part of any quotation or contract, is believed to be accurate and reliable and may be changed without notice. No liability will be accepted by the publisher for any consequences of its use.

**Aleo Lighting, Inc.**  
[www.aleoighting.com](http://www.aleoighting.com)  
 6080 Center Dr., Suite 600  
 Los Angeles, CA 90045  
 Ph: 877-358-8825