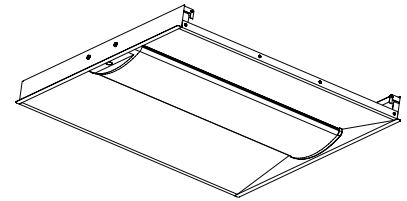


LT-CD™ (SR/RC) Series

Volumetric LED Troffer Luminaire

Includes: LT-CD-24 (SR/RC), LT-CD-22 (SR/RC)



INSTALLATION INSTRUCTIONS

READ AND FOLLOW ALL SAFETY INSTRUCTIONS

WARNING

FAILURE TO FOLLOW THESE INSTRUCTIONS AND WARNINGS MAY RESULT IN SERIOUS INJURY OR DAMAGE TO PROPERTY

For your safety, thoroughly read these instructions and warnings in its entirety prior to installing or servicing this product. These instructions do not attempt to cover all installation and maintenance circumstances. If you do not understand these instructions or if additional information is needed, please contact your Aleo Lighting customer service.

WARNING

RISK OF FIRE OR ELECTRIC SHOCK

This product must be installed and serviced by a professional electrician in accordance with applicable federal, state, and local laws, regulations, and electrical code. If not qualified, do not attempt installation of this product. Contact a qualified electrician.

WARNING

RISK OF FIRE, ELECTRIC SHOCK, or PERSONAL INJURY

To avoid risk of electrical shock, turn off power before installing or servicing.

Verify that supply voltage is correct by comparing with the input voltage on the luminaire label

Make all electrical and ground connections in accordance with NEC and any applicable code requirements

WARNING

RISK OF PERSONAL INJURY

To prevent wiring damage or abrasion, do not expose wiring to edges of sheet metal or other sharp objects
Do not make or alter any open holes in any of the enclosures with wiring or electrical components during installation

SAVE THESE INSTRUCTIONS FOR FUTURE REFERENCE

Suitable for Dry or Damp Location
Recessed Luminaire for Type IC

WARNING

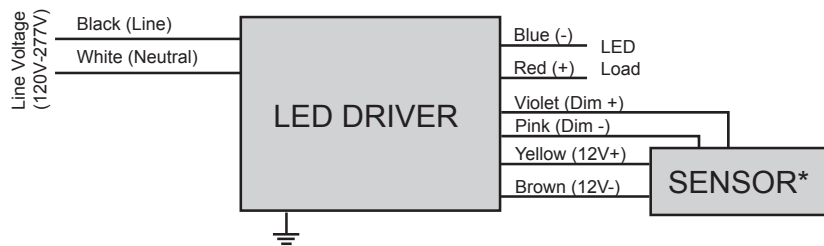
This luminaire is made for permanent installation in ordinary (non-hazardous) locations in accordance with NEC code and all applicable local and federal codes. Do not use in applications with limited ventilation or high ambient temperature enclosures.

Electrical Connection

1. Connect BLACK (line) driver lead to voltage supply Line position (HOT).
2. Connect driver WHITE lead to the NEUTRAL supply position.
3. Connect the GREEN ground lead to the supply ground lead.

*Sensor is optional.

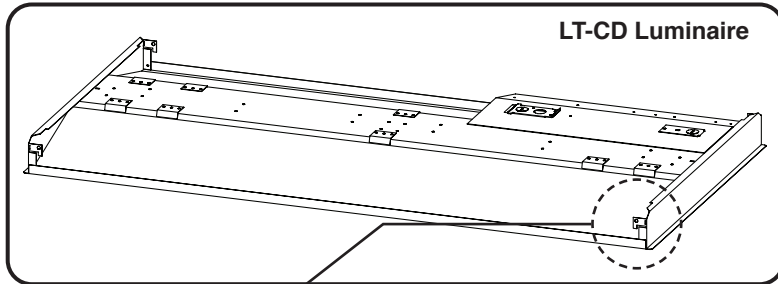
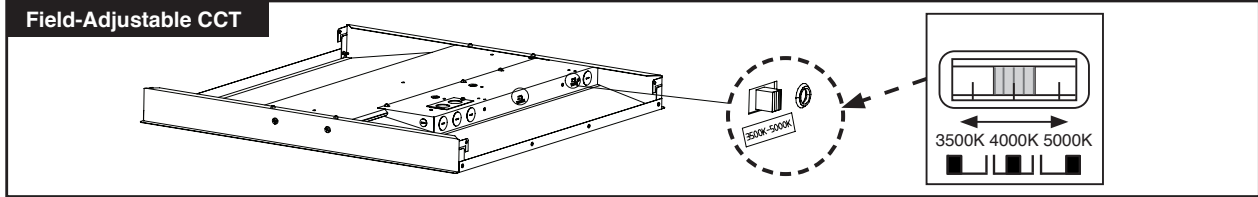
Wiring Diagram



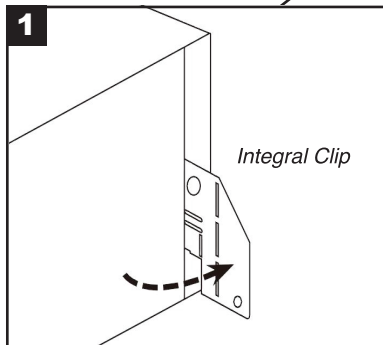
LT-CD™ (SR/RC) Series

Volumetric LED Troffer Luminaire

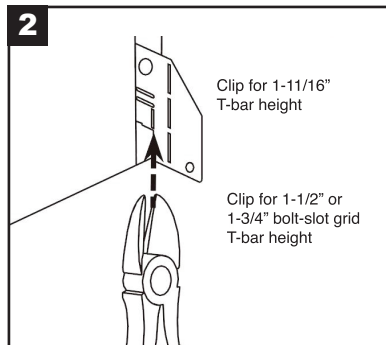
TO INSTALL:



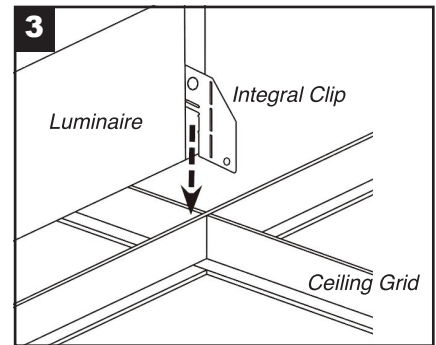
Position Luminaire in ceiling grid. Ensure integral t-bar clips are bent and snapped in place with the ceiling t-bar grid. See steps below for details.



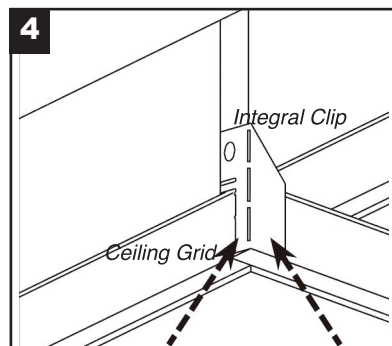
1 Bend out integral T-bar clip 90 degrees. Repeat for all (4) corners.



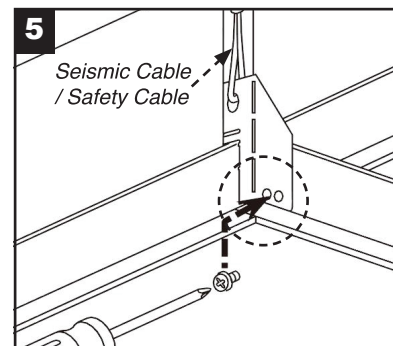
2 Use cutters or pliers to adjust the each tab to the height of the ceiling T-bar.
 Clip for 1-11/16" T-bar height
 Clip for 1-1/2" or 1-3/4" bolt-slot grid T-bar height



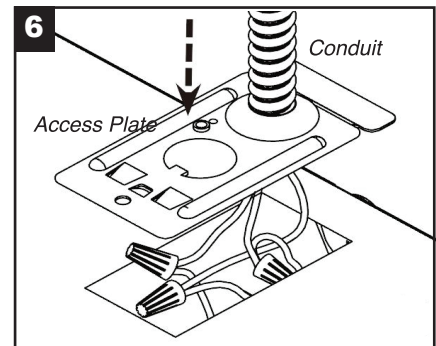
3 Lay luminaire into T-bar grid. Ensure integral clips are snapped in place with T-bar.



4 Bend clips flush against the T-bar grid to clear corners for ceiling tile.



5 Use a #8 x 1/4" sheet metal screw to fasten the luminaire grid. Use appropriate seismic cable to secure the luminaire to the structure in accordance with local codes. (Screws and cable supplied by others).



6 Ensure the wiring of the last fixture in the row is properly terminated. Make all electrical connections to the fixture. Attach wiring access plate cover.

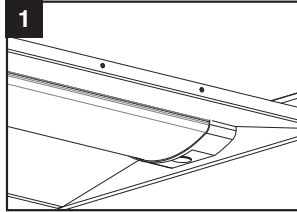
SEE PAGE 1 for Electrical Connection and wiring diagram instructions.

LT-CD™ (SR/RC) Series

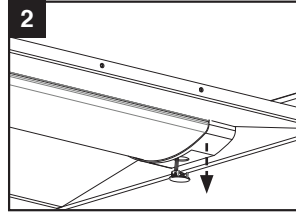
Volumetric LED Troffer Luminaire

TO INSTALL:

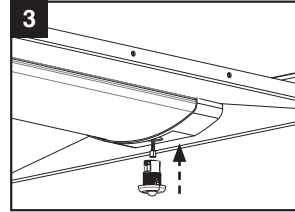
Sensor Installation



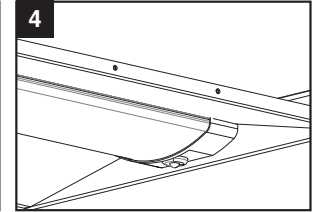
1 Locate the sensor cap.



2 Remove the sensor cap. Sensor wiring harness connector is attached to the cap.



3 Mate the wiring harness connector with the connector on the sensor and push, ensure solid connection. Push and lock the sensor into the fixture hole.



4 Secure the sensor. If necessary, use lock nut.

aleoTM
LED LIGHTING

© 2022 Aleo Lighting, Inc. All rights reserved. For informational purposes only. Reproduction in whole or part is prohibited without prior written consent of the copyright owner. The information presented in this document does not form part of any quotation or contract, is believed to be accurate and reliable and may be changed without notice. No liability will be accepted by the publisher for any consequences of its use.

Aleo Lighting, Inc.
www.aeolighting.com
10988 Bloomfield Ave.
Santa Fe Springs, CA 90670
Ph: 877-358-8825