



LT-CD™ Series

Volumetric LED Troffer - Field Adjustable

DESCRIPTION

The Aleo LT-CD™ (SR/RC) Series LED Field Adjustable Troffer delivers industry-leading Versatility with deep energy savings and continuous dimming. The precision-formed diffuser produces comfortable and pleasant illumination, enhancing productive spaces in various applications.

APPLICATIONS

Provides architectural aesthetics for retail, schools, offices, healthcare, and other commercial applications.

LT-CD™ SERIES

2x4 25W / 30W / 35W

2x2 20W / 25W / 30W

1x4 20W / 25W / 30W

QUICK SHIP

LT-CD-24-UXL-35/8CT G6 (SR/RC)

LT-CD-22-UXL-30/8CT G6 (SR/RC)

LT-CD-14-UXL-30/8CT G6 (SR/RC)

SPECIFICATION FEATURES

CONSTRUCTION

Simple construction with minimal parts allows for easy handling and installation. Low profile design optimizes shipping, storage, and handling. Luminaire features matte white durable finish. Integral T-Bar clips built into luminaire. Diffuser requires no additional frame or fastener for easy installation.

OPTICAL SYSTEM

Reflector systems features highly reflective coating and delivers balanced, comfortable illuminance for productive spaces. Diffuser lens reduces glare and improves occupant comfort while maintaining high efficiency emission.

CERTIFICATION

UL Listed. All components have UL certification. UL Class 2. Driver: SCP, OTP, OVP protection, FCC Part 15 Class B, UL8750 Class 2. DLC Listed.

WARRANTY

7-year Limited Warranty. See warranty documentation for more information.

ELECTRICAL

Luminaire utilizes high-efficacy LED packages maintained at cool temperatures for long life, high efficacy. Reliable driver features continuous dimming. Universal voltage (120-277V) for convenient installation. Comes equipped with luminaire quick-disconnect.

INSTALLATION / MOUNTING

Installs in most standard T-Bar ceiling grid systems. Flange kit available for hard-lid/drywall applications.

CONTROLS / DIMMING

Continuous dimming (0-10V) comes standard. Suitable for use with dimmers, sensors, daylight harvesting and other control strategies to achieve deeper energy-savings and code compliance.

FIELD ADJUSTABLE CCT

Increased versatility and reduced inventory burden. Wattage and Color Temp. can be adjusted in the field by selecting (3) different wattages and (3) different CCTs via switch on driver. can be adjusted in the field by selecting (5) different wattages and (5) different CCTs via switch on driver box.

ORDERING INFORMATION

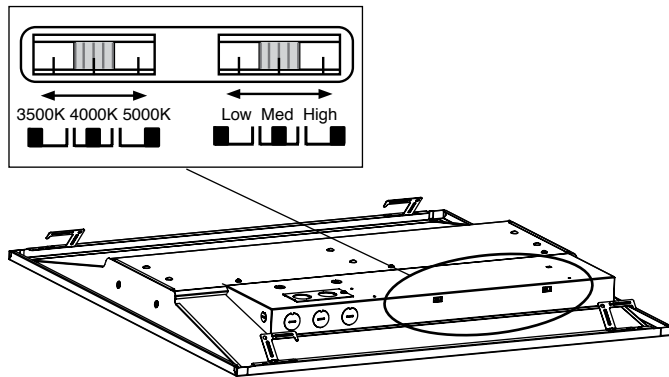
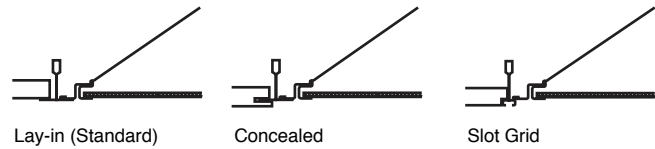
EXAMPLE: LT-CD-24-UXL-35/8CT G6 (SR/RC)

| LT-CD | 24 | UXL | 34 | 8 | CT | [Blank] | [Blank] |
|---|--|----------------------------|---|-------|---|--------------------|-----------------------------------|
| Series | Form Factor | Lumen Package | Nominal Max Wattage | CRI | Color Temp | Input Voltage | Dimming |
| LT-CD Volumetric LED Troffer - Center Diffuser | 24 - 2'x4' 22 - 2'x2' 14 - 1'x4' | UXL Field Adjustable | 2'x4' 35 25W / 30W / 35W 2'x2' 30 20W / 25W / 30W 1'x4' 30 20W / 25W / 30W | 8 83+ | CCT Field Adjust. 3500K 4000K 5000K *Utilize 3-way switch to select | Blank 120V-277V | Blank 0-10V Continuous Dimming |

Options

| Sensor | Controls | Emergency Backup ¹ | Designation |
|--|---|-------------------------------|--|
| (SR/RC) Sensor Ready with Sensor Receptacle | See Pg. 4 for details on sensors and controls (Sensor Sold Separately) | EM700 700lm EM1400 1400lm | BAA BABAA Buy America Act Compliant Build America, Buy America Act Compliant |

Specifications and Dimensions subject to change without notice.


FIELD-ADJUSTABLE CCT & WATTAGE

MOUNTING INFORMATION


* Fits 9/16, 15/16 and SS T-bar grid.
Flange kit available upon request

PERFORMANCE SUMMARY

| | | | |
|-------------------------|-----------------------|--------------------------|----------------------------|
| Input Voltage | 120V-277V | Color Consistency | 5-step MacAdam Ellipse |
| Input Frequency | 50/60 Hz | Rated Life | 75,000 hours |
| Rated Wattage | See Performance Table | L70 | > 72,000 hours |
| Delivered Lumens | See Performance Table | Power Factor | > 0.9 |
| Efficacy | > 133 LPW (typ.) | THD | < 20% |
| CRI | 82+, R9 > 0 | Dimming | 0-10V Continuous (10-100%) |
| Available CCT | 3500K / 4000K / 5000K | Operating Temp. | -20°C to 50°C |

DLC QPL DATA


| QPL Model No. | Product ID | Technical Req. | Classification | Primary Use |
|---|------------|----------------|----------------|---|
| LT-CD-24-UXL-35/8CT G6 (SR/RC) [-YYXX/ZZ] | S-22S36V | 5.1 | Standard | 2x4 Luminaires for Ambient Lighting of Interior Commercial Spaces |
| LT-CD-22-UXL-30/8CT G6 (SR/RC) [-YYXX/ZZ] | S-GY4TGW | 5.1 | Standard | 2x2 Luminaires for Ambient Lighting of Interior Commercial Spaces |
| LT-CD-14-UXL-30/8CT G6 (SR/RC) [-YYXX/ZZ] | S-0N7W33 | 5.1 | Standard | 1x4 Luminaires for Ambient Lighting of Interior Commercial Spaces |

¹ IMPORTANT: THE BATTERY MUST BE RECHARGED EVERY THREE (3) MONTHS. IF NOT RECHARGED ACCORDINGLY, BATTERY MAY FAIL AND VOID WARRANTY
Specifications and Dimensions subject to change without notice.

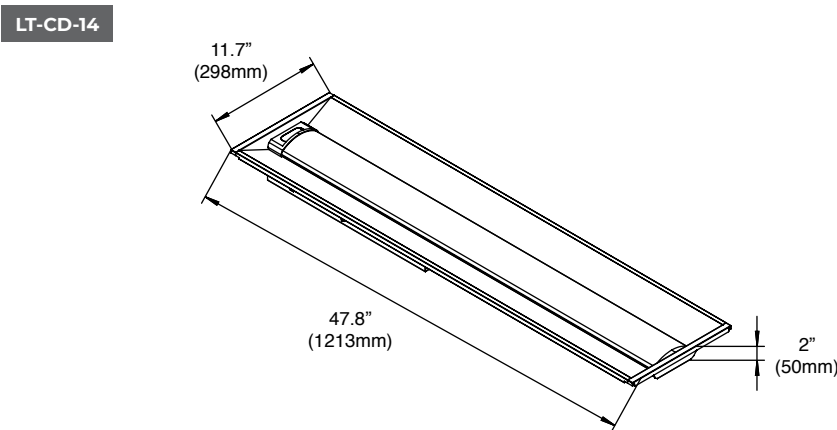
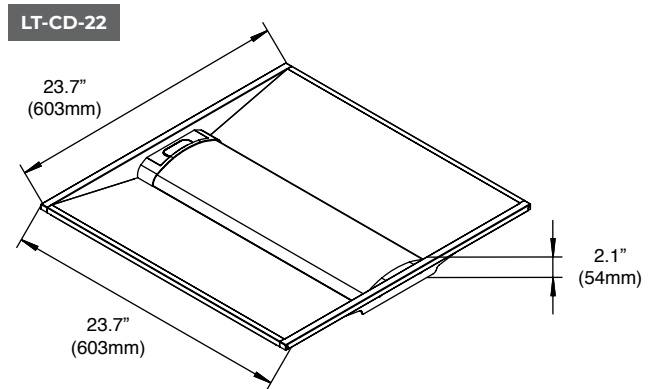
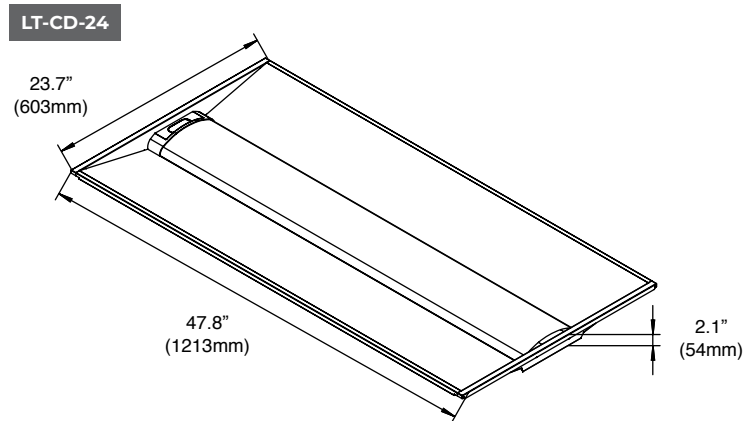


PERFORMANCE DATA

| | Catalog No. | Rated Wattage (W) | 3500K | | 4000K | | 5000K | |
|---------|--------------------------------|-------------------|-----------------------|-----------------|-----------------------|-----------------|-----------------------|-----------------|
| | | | Delivered Lumens (lm) | Efficacy (lm/W) | Delivered Lumens (lm) | Efficacy (lm/W) | Delivered Lumens (lm) | Efficacy (lm/W) |
| 2' x 4' | LT-CD-24-UXL-35/8CT G6 (SR/RC) | 25 | 3,500 | 140 | 3,750 | 150 | 3,600 | 144 |
| | | 30 | 4,080 | 136 | 4,380 | 146 | 4,200 | 140 |
| | | 35 | 4,655 | 133 | 5,005 | 143 | 4,795 | 137 |
| 2' x 2' | LT-CD-22-UXL-30/8CT G6 (SR/RC) | 20 | 2,820 | 141 | 2,980 | 149 | 2,840 | 142 |
| | | 25 | 3,425 | 137 | 3,625 | 145 | 3,450 | 138 |
| | | 30 | 4,020 | 134 | 4,260 | 142 | 4,050 | 135 |
| 1' x 4' | LT-CD-14-UXL-30/8CT G6 (SR/RC) | 20 | 2,840 | 142 | 3,080 | 154 | 2,880 | 144 |
| | | 25 | 3,450 | 138 | 3,750 | 150 | 3,500 | 140 |
| | | 30 | 4,020 | 134 | 4,380 | 146 | 4,080 | 136 |

PRODUCT DIMENSIONS

MOQ Carton Qty: 2



Specifications and Dimensions subject to change without notice.



PRODUCT OPTIONS

SENSOR OPTIONS

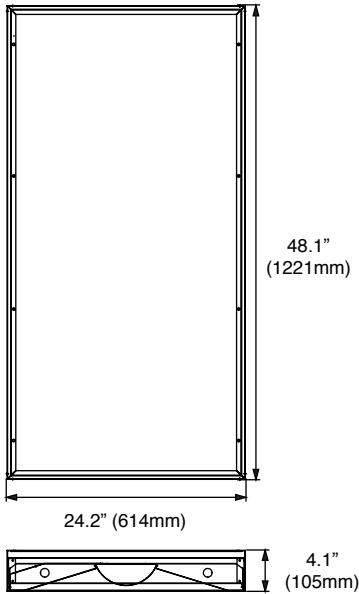
| Catalog No. | Description | Ordering | Shipping | Remote Control | Sensor Mounting |
|---------------------------|---|---------------------------|---------------|----------------|-----------------|
| AB-SPIR-FM-DVE | AleoBlue Multi-level Wireless Bluetooth Occ Sensor w/ Daylight | Order and Ship Separately | Field Install | AleoBlue App | Snap-in |
| SPIR-OSDL/BTEZ-PP3-DC-121 | SimplBlue Multi-level Wireless Bluetooth Occ Sensor w/ Daylight | Order and Ship Separately | Field Install | SimplBlue App | Snap-in |



SURFACE MOUNT KITS

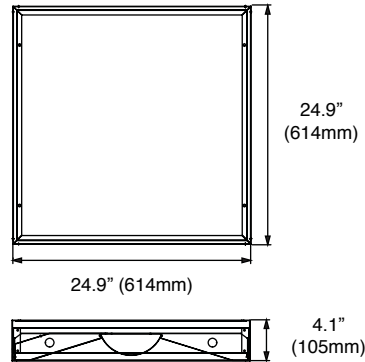
SMK-24 G2 ECO

Surface Mount Kit for 2'x4' troffer or panel



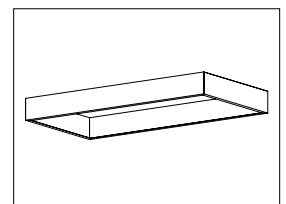
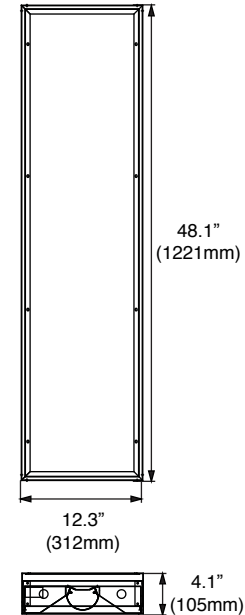
SMK-22 G2 ECO

Surface Mount Kit for 2'x2' troffer or panel



SMK-14 G2 ECO

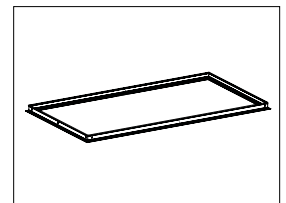
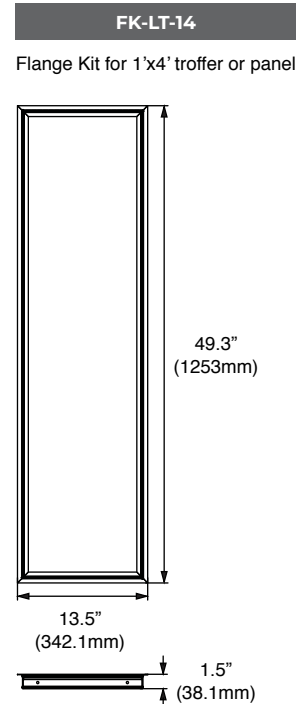
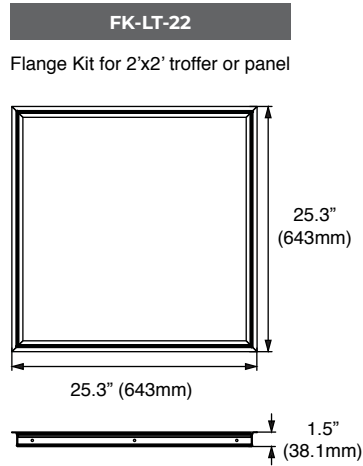
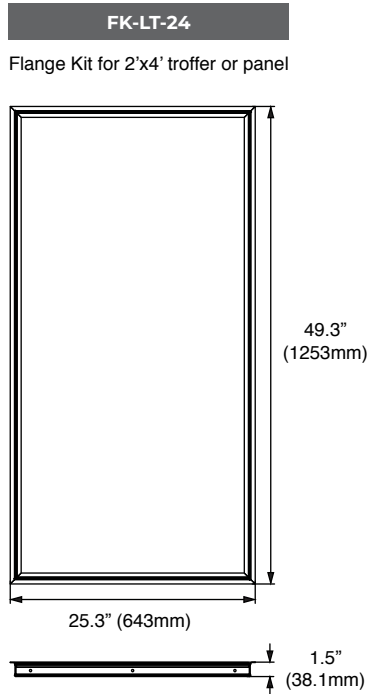
Surface Mount Kit for 1'x4' troffer or panel



Specifications and Dimensions subject to change without notice.



FLANGE KITS



BAA AND BABAA COMPLIANT

BAA - BUY AMERICA ACT COMPLIANT
Complies and Qualifies for projects requiring Buy America Act (BAA) compliant product

BABAA - BUILD AMERICA, BUY AMERICA COMPLIANT
Complies and Qualifies for projects requiring Build America, Buy America Act (BABAA) compliant product



*Note: BAA and BABAA product will require lead times approximately ranging from 12-18 weeks. Contact your Aleo representative for more information

aleoblue™

LOOKING FOR ADDITIONAL ALEOBLUE CONTROL DEVICES?

Enhance your lighting system with optional AleoBlue control devices designed to expand functionality and simplify installation. [Click here](#) or scan the QR code to view all currently available options.



aleo | LIGHTING + CONTROLS

www.aleolighting.com
10988 Bloomfield Ave., Santa Fe Springs, CA 90670
(877) 358-8825



ALEOBLUE WIRELESS BLUETOOTH® CONTROLS

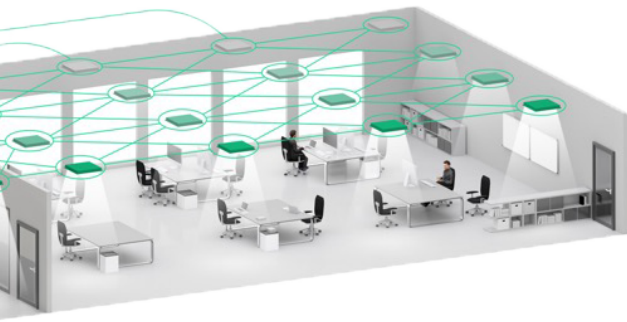


The AleoBlue is a complete solution for managing connected lighting systems using a Bluetooth® NLC lighting network. This enables seamless implementation of simple to complex lighting control scenarios without specialized training or lighting control engineering expertise.

DLC NLC Qualified.

FEATURES AND BENEFITS

- Lighting Zones / Grouping
- Manual control of individual lights
- On Power up Behavior
- Zone Linking
- High-End Trim
- LLLC (Luminaire Level Lighting Controls)
- Energy Monitoring
- Optimized Energy Consumption
- Less Hassle with On-Site Adjustments
- More Savings
- Increased Safety
- More Flexibility
- Intuitive and user-friendly web and iOS apps
- No specialized training or lighting control expertise required
- Optimized for commercial spaces of any size
- No additional wiring or central control box
- Customizable lighting control parameters
- Future proof with Software Updates
- Multiple Zone Configurable
- Built-In Scenarios + Customization



BLUETOOTH® NLC TECHNOLOGY ADVANTAGES



The fastest low-power communication



Scalability to thousands of devices



The most advanced encryption standards as well as the cutting-edge device authentication

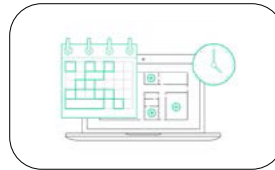


No single point of failure (no central device)

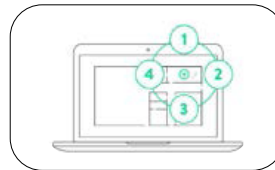


Compatibility with a widely available devices (smart phones & tablets – both with Bluetooth® 4.0 and Bluetooth® 5)

SCHEDULING



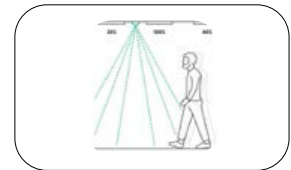
SCENES



HIGH / LOW END TRIM

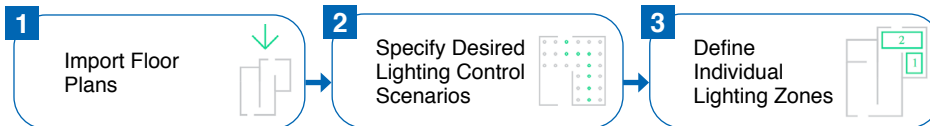


OCCUPANCY SENSING



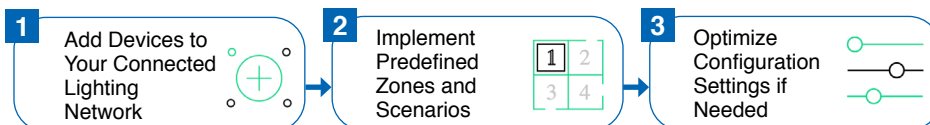
PLANNING

Remote preparation of a retrofit project with the use of our web app. Uploading floor plans, defining individual lighting zones and choosing lighting control scenarios.



IMPLEMENTATION

Adding lighting devices to the Bluetooth® NLC network on-site with the use of an iOS app. Customization and calibration of lighting control parameters during and after the commissioning process. Defining scenes for specific working activities.



PROVISIONING / CONFIGURATIONS

The Bluetooth® NLC Node is in the Unprovisioned Mode until it is provisioned by a "Provisioner", which typically is a smart phone with a Bluetooth® NLC compatible app.

Specifications and Dimensions subject to change without notice.

