



Project	
Notes	
Type	Date
Cat. No.	

LT-CD™ BTEZ Series

Volumetric LED Troffer Field Adjustable

DESCRIPTION

The Aleo LT-CD™ BTEZ Series LED Field Adjustable Troffer delivers industry-leading Versatility with deep energy savings and continuous dimming. The precision-formed diffuser produces comfortable and pleasant illumination, enhancing productive spaces in various applications.

APPLICATIONS

Provides architectural aesthetics for retail, schools, offices, healthcare, and other various commercial applications.



Specification Features



Construction

Simple construction with minimal parts allows for easy handling and installation. Low profile design optimizes shipping, storage, and handling. Luminaire features matte white durable finish. Integral T-Bar clips built into luminaire. Diffuser requires no additional frame or fastener for easy installation.

Optical System

Reflector systems features highly reflective coating and delivers balanced, comfortable illuminance for productive spaces. Diffuser lens reduces glare and improves occupant comfort while maintaining high efficiency emission.

Certification

UL Listed. All components have UL certification. UL Class 2. Driver: SCP, OTP, OVP protection, FCC Part 15 Class B, UL8750 Class 2.

Warranty

7-year Limited Warranty. See warranty documentation for more information.

Electrical

Luminaire utilizes high-efficacy LED packages maintained at cool temperatures for long life, high efficacy. Reliable driver features continuous dimming. Universal voltage (120-277V) for convenient installation. Comes equipped with luminaire quick-disconnect.

Field-Adjustable CCT / Wattage

Increased versatility and reduced inventory burden. Wattage and Color Temp. can be adjusted in the field by using SimpliBlue app to set CCT / lumen level.

Installation / Mounting

Installs in most standard T-Bar ceiling grid systems. Flange kit available for hard-lid/drywall applications

Controls / Dimming

Continuous dimming (0-10V) comes standard. Integrated with daylight harvesting PIR sensor to achieve deeper energy-savings and code compliance.

LT-CD Series

2x4 45W Max.
2x2 35W Max.

Rated Life 75,000 hours
Limited Warranty 7-years
Efficacy Up to 134 LPW
Continuous Dimming



Quick Ship

LT-CD-24-UXL-45/8CT G5 ECO/OSDL/BTEZ
LT-CD-22-UXL-35/8CT G5 ECO/OSDL/BTEZ

Ordering Information

Example: LT-CD-24-UXL-45/8CT G5 ECO/OSDL/BTEZ

LT-CD	24	UXL	45	8	CT	[Blank]	[Blank]
Series LT-CD Volumetric LED Troffer - Center Diffuser	Form Factor 24 2'x4' 22 2'x2'	Lumen Package UXL Field Adjustable	Nominal Max Wattage 2'x4' 45 45W Max. 2'x2' 35 35W Max. <small>* Utilize SimpliBlue App to adjust.</small>	CRI 8 83+	Color Temp CT Field Adjust. 3000K 3500K 4000K 5000K <small>* Utilize SimpliBlue App to adjust.</small>	Input Voltage Blank 120V-277V	Dimming Blank 0-10V Continuous Dimming
OSDL/BTEZ				Options			
Controls OSDL/BTEZ SimpliBlue Occupancy Sensor		Emergency Backup¹ EM700 700lm EM1400 1400lm		Designation BAA Buy American Act Compliant BABAA Build America, Buy America Act Compliant			

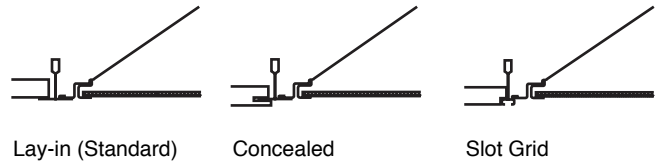
Specifications and Dimensions subject to change without notice.

Performance Summary

Input Voltage	120V-277V
Input Frequency	50/60 Hz
Rated Wattage	See Performance Table
Delivered Lumens	See Performance Table
Efficacy	> 134 LPW (typ.)
CRI	82+, R9 > 0
Field Adjustable CCT	3000K / 3500K / 4000K / 5000K
Color Consistency ²	5-step MacAdam Ellipse
Rated Life	75,000 hours
L70 ³	> 72,000 hours
Power Factor	> 0.9
THD	< 20%
Dimming	0-10V Continuous (0-100%)
Operating Temp.	-20°C to 50°C



Mounting Information



* Fits 9/16, 15/16 and SS T-bar grid.
Flange kit available upon request

Performance Data

Form Factor	Catalog No.	Rated Wattage (W)	3000K		3500K		4000K		5000K	
			Delivered Lumens (lm)	Efficacy (lm/W)	Delivered Lumens (lm)	Efficacy (lm/W)	Delivered Lumens (lm)	Efficacy (lm/W)	Delivered Lumens (lm)	Efficacy (lm/W)
2' x 4'	LT-CD-24-UXL-45/8CT G5 ECO/OSDL/BTEZ	45	5895	131	6030	134	6030	134	5940	132
2' x 2'	LT-CD-22-UXL-35/8CT G5 ECO/OSDL/BTEZ	35	4375	125	4515	129	4550	130	4410	126

Wireless Networked Lighting Controls (NLC) - Luminaire-Level



Integrated PIR Sensor with wireless Bluetooth Mesh. Use SimplBlue app to commission and set CCT / lumen level.

SimplBlue Bluetooth Wireless Controls Luminaire Integrated

www.aeolighting.com/simplblue



BAA and BABAA Compliant



BAA - Buy America Act Compliant

Complies and Qualifies for projects requiring Buy America Act (BAA) compliant product

BABAA - Build America, Buy America Compliant

Complies and Qualifies for projects requiring Build America, Buy America Act (BABAA) compliant product

*Note: BAA and BABAA product will require lead times approximately ranging from 12-18 weeks. Contact your Aleo representative for more information

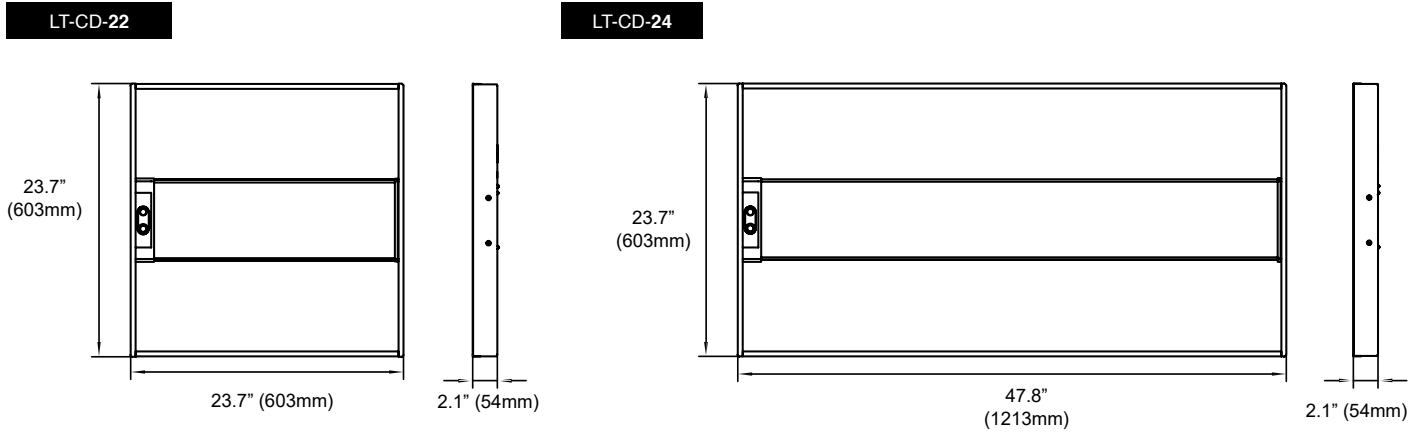
NOTES:

- ¹ IMPORTANT: THE BATTERY MUST BE RECHARGED EVERY THREE (3) MONTHS. IF NOT RECHARGED ACCORDINGLY, BATTERY MAY FAIL AND VOID WARRANTY
- ² Typical color consistency. May vary or be changed.
- ³ L70 hours calculated based on LED package manufacturer LM80 report and ISTMT report of LED in luminaire. Stated values are for select catalog numbers.

Specifications and Dimensions subject to change without notice.

Product Dimensions

MOQ Carton Qty: 2



Field-Adjustable Wattage & CCT



Integrated PIR Sensor with wireless Bluetooth Mesh. Use SimplBlue app to commission and set CCT / lumen level.

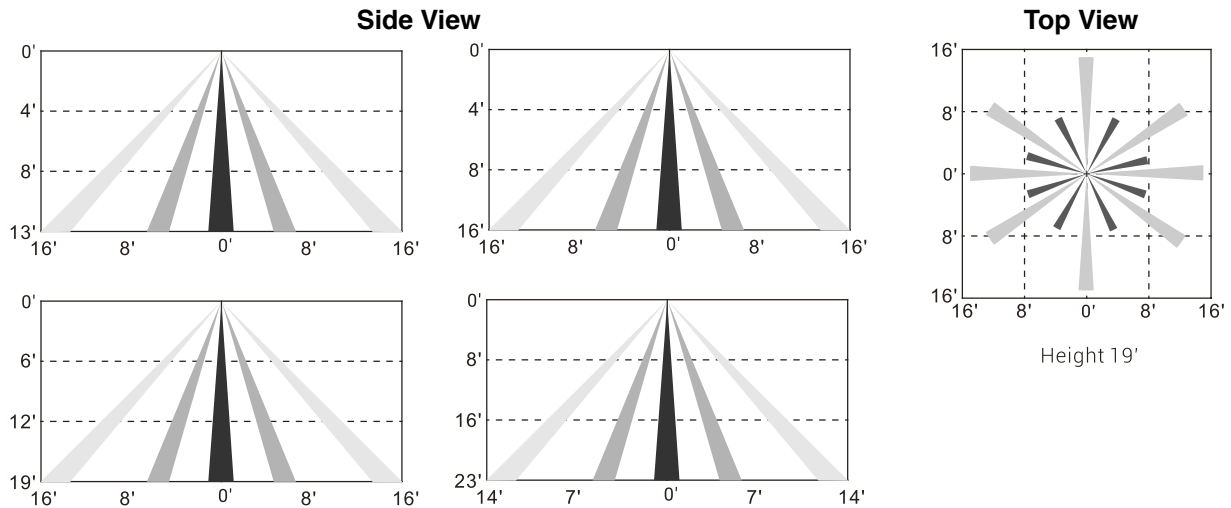
SimplBlue Bluetooth Wireless Controls

Luminaire Integrated



www.aleolighting.com/simplblue

Occupancy Sensor Detection Pattern



DLC QPL Data



QPL Model No.	Product ID	Technical Req.	Classification	Primary Use
LT-CD-24-UXL-45/8CT G5 ECO/OSDL/BTEZ	S-CHDZN1	5.1	Premium	2x4 Luminaires for Ambient Lighting of Interior Commercial Spaces
LT-CD-22-UXL-35/8CT G5 ECO/OSDL/BTEZ	S-2WH48C	5.1	Premium	2x2 Luminaires for Ambient Lighting of Interior Commercial Spaces

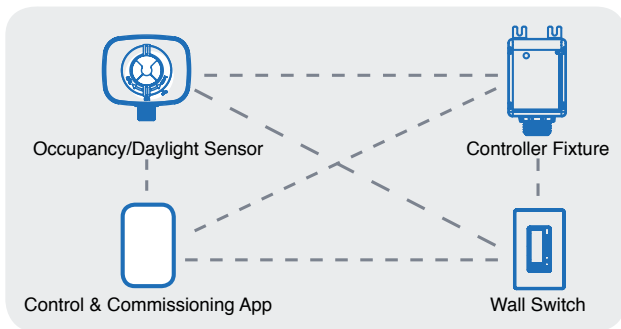
A Simple and Cost-Effective Localized Networked Lighting Control System Using Bluetooth Mesh.

SimplBlue Wireless Bluetooth Controls

SimplBlue Lighting Controls offers a complete gateway-free wireless system to control lights in a wide variety of applications. The system includes wireless fixture controllers, switches, and occupancy/daylight harvesting sensors all using Bluetooth® wireless technology. In addition to the system devices we also offer a fixture mounted controller and sensor with Bluetooth® technology providing wireless communication and occupancy/daylight harvesting control in one device. Each device has its own address for sending, receiving and sharing control commands through a wireless network. Expandability is easy with each device passing information to the next thus expanding the reach and control throughout the network.



Download the Commissioning App



Download the SimplBlue Commissioning App Instructions

SimplBlue Lighting Controls Commissioning & Control App

- For iOS or Android smartphone
- Commissioning: Switch on-off, Dimming,
- Color tuning/ Circadian Rhythms (Must work with corresponding drivers and led fixtures)
- Flexible zoning/ Scenarios setting/ Scheduling
- Wireless wall switch linkage setting
- Occupancy sensor setting, Daylight harvesting, Photocell control
- Admin control authority sharing with QR code

System Functionality

- Networking of luminaires
- Individual Addressability
- Occupancy sensing
- Daylight Harvesting/Photocell Control
- High-end Trimming
- Flexible Zoning
- Continuous Dimming

