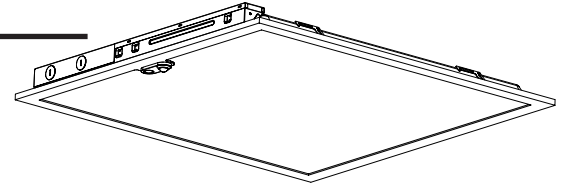


LPS-BL BTEZ™ Series

Slim LED Panel Back-Lit Luminaire

Includes: LPS-BL-22UX, LPS-BL-24UX

aleo™
LED LIGHTING



INSTALLATION INSTRUCTIONS

READ AND FOLLOW ALL SAFETY INSTRUCTIONS

WARNING

FAILURE TO FOLLOW THESE INSTRUCTIONS AND WARNINGS MAY RESULT IN SERIOUS INJURY OR DAMAGE TO PROPERTY

For your safety, thoroughly read these instructions and warnings in its entirety prior to installing or servicing this product. These instructions do not attempt to cover all installation and maintenance circumstances. If you do not understand these instructions or if additional information is needed, please contact your Aleo Lighting customer service.

WARNING

RISK OF FIRE OR ELECTRIC SHOCK

This product must be installed and serviced by a professional electrician in accordance with applicable federal, state, and local laws, regulations, and electrical code. If not qualified, do not attempt installation of this product. Contact a qualified electrician.

WARNING

RISK OF FIRE, ELECTRIC SHOCK, or PERSONAL INJURY

To avoid risk of electrical shock, turn off power before installing or servicing.

Verify that supply voltage is correct by comparing with the input voltage on the luminaire label

Make all electrical and ground connections in accordance with NEC and any applicable code requirements

WARNING

RISK OF PERSONAL INJURY

To prevent wiring damage or abrasion, do not expose wiring to edges of sheet metal or other sharp objects
Do not make or alter any open holes in any of the enclosures with wiring or electrical components during installation

SAVE THESE INSTRUCTIONS FOR FUTURE REFERENCE

Suitable for Dry or Damp Location
Recessed Luminaire for Type IC

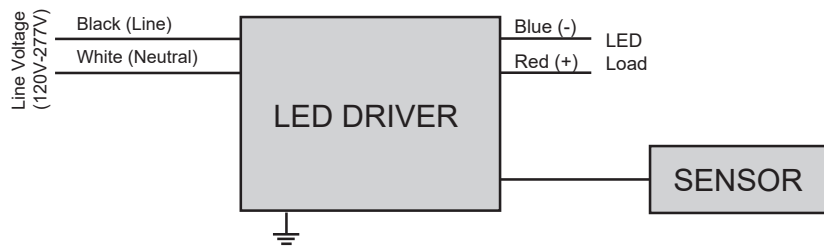
WARNING

This luminaire is made for permanent installation in ordinary (non-hazardous) locations in accordance with NEC code and all applicable local and federal codes. Do not use in applications with limited ventilation or high ambient temperature enclosures.

Electrical Connection

1. Connect BLACK (line) driver lead to voltage supply Line position (HOT).
2. Connect driver WHITE lead to the NEUTRAL supply position.
3. Connect the GREEN ground lead to the supply ground lead.

Wiring Diagram



LPS-BL BTEZ™ Series

Slim LED Panel Back-Lit Luminaire

TOINSTALL:

simplblue™

Integrated PIR Sensor with wireless Bluetooth Mesh. Use SimplBlue app to commission and set CCT / lumen level.

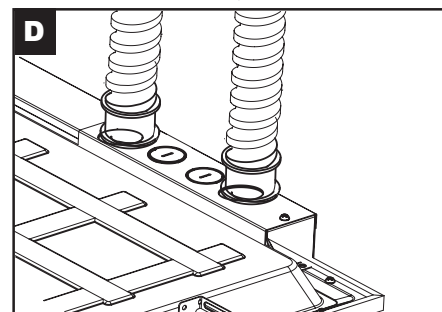
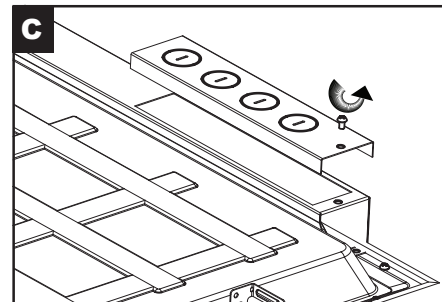
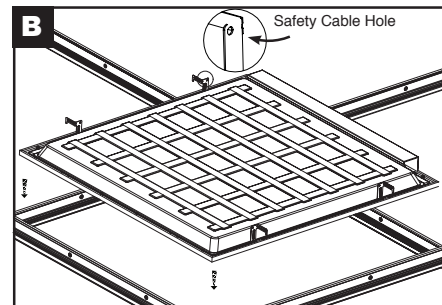
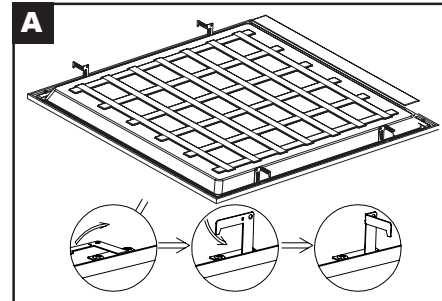
SimplBlue Bluetooth Wireless Controls
Luminaire Integrated



www.aleoighting.com/simplblue

Position Luminaire in ceiling grid. Ensure integral T-bar clips are bent and snapped in place with the ceiling T-bar grid. See steps below for details.

1. Bend and lift up four (4) Mounting clips on the sides of the luminaire to an upright position. **Figure A**
 2. Lay luminaire into T-bar Ceiling grid. Use appropriate seismic cables and fasten to safety cable hole and secure luminaire to the structure, in accordance with local codes (Screws and cable supplied by others)
 3. Ensure mounting clips are snapped into place with T-bar. **Figure B**
 4. Remove Electrical enclosure cover. Carefully remove knockout for AC line input wires and 0-10V control line (optional). Feed appropriate conduit into the knockout hole of the power supply enclosure. **Figure C, D**
 5. Connect AC Mains To Fixture input leads. Ensure Proper Grounding and quick disconnect is used according to all applicable codes When connecting 0-10V dimming controls (optional), wires must feed through a separate knockout hole.
- SEE PAGE 1 for Electrical Connection and wiring diagram instructions.
6. Ensure the wiring of the last fixture in the row is properly terminated. Make all electrical connections to the fixture. Attach and secure wiring enclosure cover once all electrical connections are finished.



aleo™
LED LIGHTING

© 2022 Aleo Lighting, Inc. All rights reserved. For informational purposes only. Reproduction in whole or part is prohibited without prior written consent of the copyright owner. The information presented in this document does not form part of any quotation or contract, is believed to be accurate and reliable and may be changed without notice. No liability will be accepted by the publisher for any consequences of its use.

Aleo Lighting, Inc.
www.aleoighting.com
10988 Bloomfield Ave.
Santa Fe Springs, CA 90670
Ph: 877-358-8825
LPS-BL-UX-BTEZ-IS_Rev01