

LPR-BL™ Series

Slim LED Panel Retrofit Kit - Sensor Ready




DESCRIPTION

The Aleo LPR-BL™ (TAA) Series Slim LED Panel Retrofit Kit delivers industry-leading performance with deep energy savings and continuous dimming. Easy and quick installation reduces labor cost and optimizes ROI. The retrofit kit eliminates the need to replace existing luminaire housing, which reduces install time and disposal/removal costs. The slim profile, modern design produces pleasant, uniform and low-glare illumination, enhancing spaces in various applications.

APPLICATIONS

Retail, schools, offices, healthcare, and other various commercial applications.

LPR-BL™ SERIES

2x4 36W / 30W / 23W

2x2 25W / 22W / 18W

1x4 25W / 22W / 18W

QUICK SHIP

LPR-BL-24UX-36/8CT G5 SR/RC (TAA)

LPR-BL-22UX-25/8CT G5 SR/RC (TAA)

LPR-BL-14UX-25/8CT G5 SR/RC (TAA)

LPR-BL-24UX-36/8CT G5 SR/RC (TAA)-EM1000

LPR-BL-22UX-25/8CT G5 SR/RC (TAA)-EM1000

SPECIFICATION FEATURES

• CONSTRUCTION

Simple construction with minimal parts allows for easy handling and installation. Solid rigid frame, post-painted matte white finish for strength and durability. Low profile design optimizes shipping, storage, and handling.

• OPTICAL SYSTEM

Back-lit optics produces soft balanced, comfortable luminance for productive spaces. Diffuser lens reduces glare and improves occupant comfort while maintaining high efficiency emission.

• CERTIFICATION

ETL Listed. Conforms to UL STD. 1598.

• WARRANTY

7-year Limited Warranty. See warranty documentation for more information.

• TAA COMPLIANT

TAA compliant for U.S. government procurement.

• ELECTRICAL

Luminaire utilizes high-efficacy LED packages maintained at cool temperatures for long life, high efficacy. Reliable driver features continuous dimming. Universal voltage (120-277V) for convenient installation.

• INSTALLATION / MOUNTING

Installs in most standard T-Bar ceiling grid systems. Retrofit kit fits within troffer and ceiling T-bar grid, eliminating need to remove existing fixture housing. Hinged door retrofit kit design.

• CONTROLS / DIMMING

Continuous dimming (0-10V) comes standard. Suitable for use with dimmers, sensors, daylight harvesting and other control strategies to achieve deeper energy-savings and code compliance.

• FIELD ADJUSTABLE CCT / WATTAGE

Increased versatility and reduced inventory burden. Wattage and Color Temp. can be adjusted in the field by selecting (3) different wattages and (3) different CCTs via switch on driver.

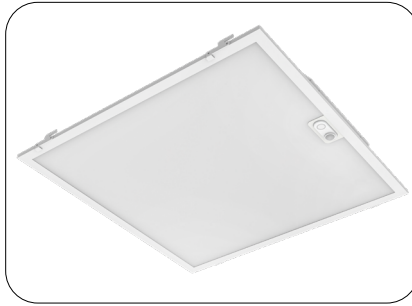
ORDERING INFORMATION

EXAMPLE: LPR-BL-22UX-25/8CT G5 SR/RC (TAA)

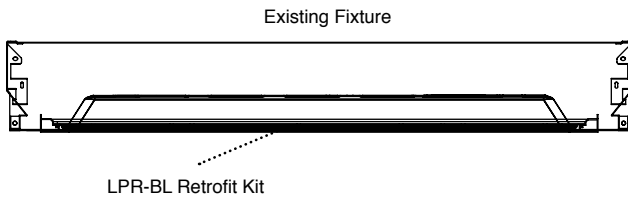
LPR-BL	22	UX	25	8	CT	[Blank]	[Blank]
Series	Form Factor	Lumen Package	Nominal Max Wattage	CRI	Color Temp	Input Voltage	Dimming
LPR-BL LED Panel Retrofit Kit - Back Lit	24 - 2'x4' 22 - 2'x2' 14 - 1'x4'	UX Field Adjustable	1'x4' 25 25W / 22W / 18W 2'x2' 25 25W / 22W / 18W 2'x4' 36 36W / 30W / 23W	8 80+	CT Field Adjust. 3500K 4000K 5000K	Blank 120V-277V	Blank 0-10V Continuous Dimming
			*Utilize 3-way switch to select		*Utilize 3-way switch to select		

(SR/RC)	(TAA)	Options	
Sensor	TAA	Emergency Backup ¹	Controls
(SR/RC) Sensor Ready with Sensor Receptacle	(TAA) Trade Agreement Act Compliant	EM1000 1000lm (LPR-BL22UX & LPR-BL24UX only)	See Pg. 5 for details on sensors and controls (Sold Separately)

Specifications and Dimensions subject to change without notice.



MOUNTING INFORMATION



PERFORMANCE SUMMARY

Input Voltage	120V-277V	Available CCT	3500, 4000K, 5000K
Input Frequency	50/60 Hz	Rated Life	75,000 hours
Rated Wattage	See Performance Table	Power Factor	> 0.9
Delivered Lumens	See Performance Table	THD	< 20%
Efficacy	> 125 LPW (typ.)	Dimming	0-10V Continuous (10-100%)
CRI	83+, R9 > 0	Operating Temp.	-20°C to 50°C

¹ IMPORTANT: THE BATTERY MUST BE RECHARGED EVERY THREE (3) MONTHS. IF NOT RECHARGED ACCORDINGLY, BATTERY MAY FAIL AND VOID WARRANTY
Specifications and Dimensions subject to change without notice.



PERFORMANCE DATA

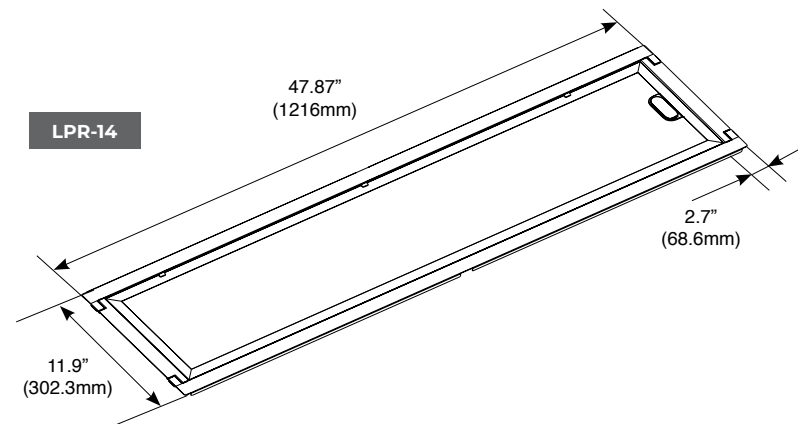
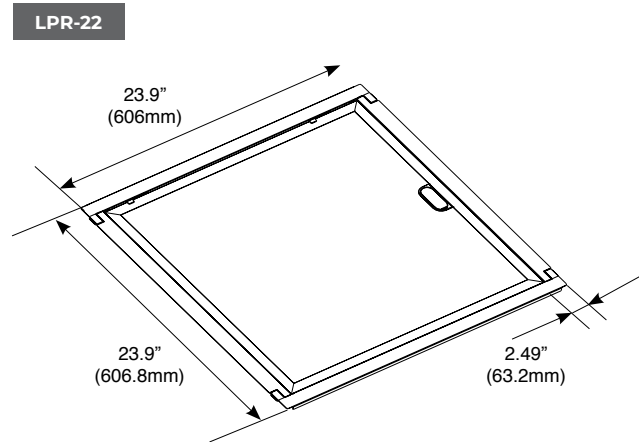
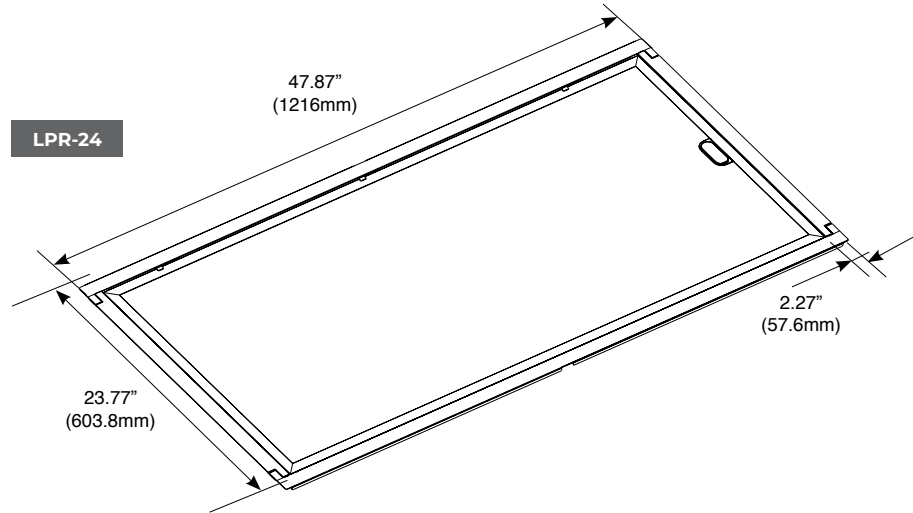
	Catalog No.	Nominal Wattage	Color Temperature	Lumens (lm)	Wattage (W)	Efficacy (lm/W)
2'x4'	LPR-BL-24UX-36/8CT G5 SR/RC (TAA)	23	3500K	3,358	24.8	135.4
			4000K	3,490	24.1	144.8
			5000K	3,436	24.7	139.1
		30	3500K	4,063	30.3	134.1
			4000K	4,216	29.4	143.4
			5000K	4,159	30.2	137.7
		36	3500K	4,565	34.4	132.7
			4000K	4,739	33.4	141.9
			5000K	4,675	34.3	136.3
2'x2'	LPR-BL-22UX-25/8CT G5 SR/RC (TAA)	18	3500K	2,407	18.4	130.8
			4000K	2,538	17.7	143.4
			5000K	2,483	18.5	134.2
		22	3500K	2,914	22.5	129.5
			4000K	3,081	21.7	142.0
			5000K	3,004	22.6	132.9
		25	3500K	3,269	25.5	128.2
			4000K	3,456	24.6	140.5
			5000K	3,380	25.7	131.5
1'x4'	LPR-BL-14UX-25/8CT G5 SR/RC (TAA)	18	3500K	2,207	17.2	128.3
			4000K	2,270	16.7	135.9
			5000K	2,246	17.3	129.8
		22	3500K	2,667	21.0	127.0
			4000K	2,746	20.4	134.6
			5000K	2,711	21.1	128.5
		25	3500K	2,992	23.8	125.7
			4000K	3,090	23.2	133.2
			5000K	3,040	23.9	127.2

Specifications and Dimensions subject to change without notice.



PRODUCT DIMENSIONS

MOQ Carton Qty: 6



Specifications and Dimensions subject to change without notice.



PRODUCT OPTIONS

SENSOR OPTIONS

Catalog No.	Description	Ordering	Shipping	Remote Control	Sensor Mounting
AB-SPIR-FM-DVE	AleoBlue Multi-level Wireless Bluetooth® Occ Sensor w/ Daylight	Order and Ship Separately	Field Install	AleoBlue App	Snap-in
SPIR-OSDL/BTEZ-PP3-DC-121	SimplBlue Multi-level Wireless Bluetooth® Occ Sensor w/ Daylight	Order and Ship Separately	Field Install	SimplBlue App	Snap-in



aleoblue™

LOOKING FOR ADDITIONAL ALEOBLUE CONTROL DEVICES?

Enhance your lighting system with optional AleoBlue control devices designed to expand functionality and simplify installation. [Click here](#) or scan the QR code to view all currently available options.



aleo | LIGHTING + CONTROLS

www.aleolighting.com
10988 Bloomfield Ave., Santa Fe Springs, CA 90670
(877) 358-8825



ALEOBLUE WIRELESS BLUETOOTH® CONTROLS

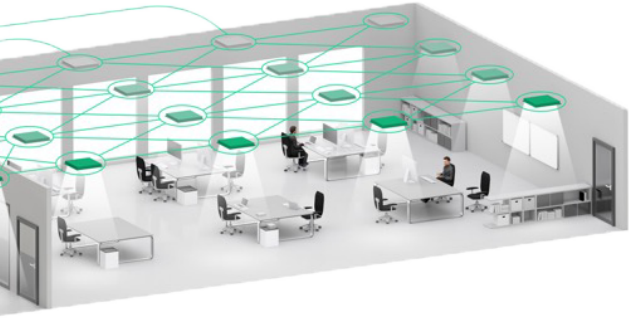


The AleoBlue is a complete solution for managing connected lighting systems using a Bluetooth® NLC lighting network. This enables seamless implementation of simple to complex lighting control scenarios without specialized training or lighting control engineering expertise.

DLC NLC Qualified.

FEATURES AND BENEFITS

- Lighting Zones / Grouping
- Manual control of individual lights
- On Power up Behavior
- Zone Linking
- High-End Trim
- LLLC (Luminaire Level Lighting Controls)
- Energy Monitoring
- Optimized Energy Consumption
- Less Hassle with On-Site Adjustments
- More Savings
- Increased Safety
- More Flexibility
- Intuitive and user-friendly web and iOS apps
- No specialized training or lighting control expertise required
- Optimized for commercial spaces of any size
- No additional wiring or central control box
- Customizable lighting control parameters
- Future proof with Software Updates
- Multiple Zone Configurable
- Built-In Scenarios + Customization



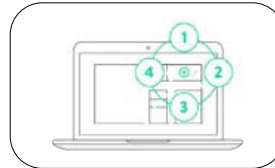
BLUETOOTH® NLC TECHNOLOGY ADVANTAGES

- The fastest low-power communication
- Scalability to thousands of devices
- The most advanced encryption standards as well as the cutting-edge device authentication
- No single point of failure (no central device)
- Compatibility with a widely available devices (smart phones & tablets – both with Bluetooth® 4.0 and Bluetooth® 5)

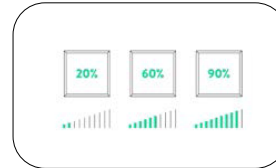
SCHEDULING



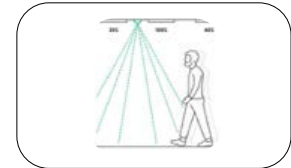
SCENES



HIGH / LOW END TRIM

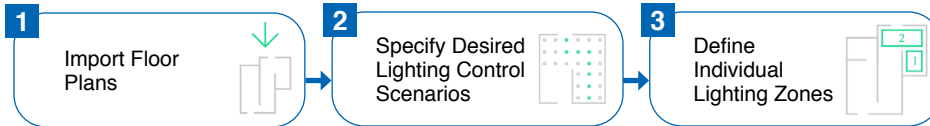


OCCUPANCY SENSING



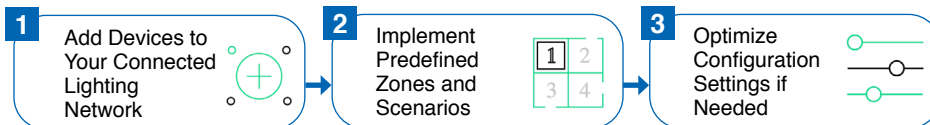
PLANNING

Remote preparation of a retrofit project with the use of our web app. Uploading floor plans, defining individual lighting zones and choosing lighting control scenarios.



IMPLEMENTATION

Adding lighting devices to the Bluetooth® NLC network on-site with the use of an iOS app. Customization and calibration of lighting control parameters during and after the commissioning process. Defining scenes for specific working activities.



PROVISIONING / CONFIGURATIONS

The Bluetooth® NLC Node is in the Unprovisioned Mode until it is provisioned by a "Provisioner", which typically is a smart phone with a Bluetooth® NLC compatible app.

Specifications and Dimensions subject to change without notice.

