

# LPA™ Series

## LED Linear Architectural Pendant

Includes: LPA-IND, LPA-DR

**aleo™**  
LED LIGHTING



## INSTALLATION INSTRUCTIONS

### READ AND FOLLOW ALL SAFETY INSTRUCTIONS

#### WARNING

##### FAILURE TO FOLLOW THESE INSTRUCTIONS AND WARNINGS MAY RESULT IN SERIOUS INJURY OR DAMAGE TO PROPERTY

For your safety, thoroughly read these instructions and warnings in its entirety prior to installing or servicing this product. These instructions do not attempt to cover all installation and maintenance circumstances. If you do not understand these instructions or if additional information is needed, please contact Aleo Lighting customer service.

#### WARNING

##### RISK OF FIRE OR ELECTRIC SHOCK

This product must be installed and serviced by a professional electrician in accordance with applicable federal, state, and local laws, regulations, and electrical code. If not qualified, do not attempt installation of this product. Contact a qualified electrician.

#### WARNING

##### RISK OF FIRE, ELECTRIC SHOCK, or PERSONAL INJURY

To avoid risk of electrical shock, turn off power before installing or servicing.

Verify that supply voltage is correct by comparing with the input voltage on the luminaire label

Make all electrical and ground connections in accordance with NEC and any applicable code requirements

#### WARNING

##### RISK OF PERSONAL INJURY

To prevent wiring damage or abrasion, do not expose wiring to edges of sheet metal or other sharp objects  
Do not make or alter any open holes in any of the enclosures with wiring or electrical components during installation

### SAVE THESE INSTRUCTIONS FOR FUTURE REFERENCE

Suitable for Dry or Damp Location

#### WARNING

This luminaire is made for permanent installation in ordinary (non-hazardous) locations in accordance with NEC code and all applicable local and federal codes. Do not use in applications with limited ventilation or high ambient temperature enclosures.

#### TURN OFF POWER BEFORE INSTALLING

#### Electrical Connection

1. Connect BLACK (line) driver lead to voltage supply Line position (HOT).
2. Connect driver WHITE lead to the NEUTRAL supply position.
3. Connect the GREEN ground lead to the supply ground lead.

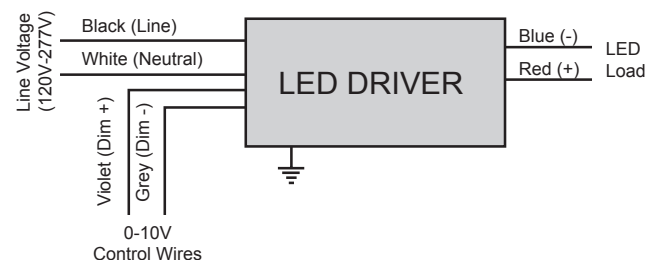
#### If using 0-10V dimming:

4. Connect VIOLET lead to supply POSITIVE dimming lead.
5. Connect GREY lead to the supply NEGATIVE dimming lead.

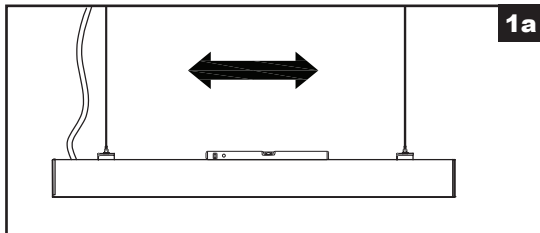
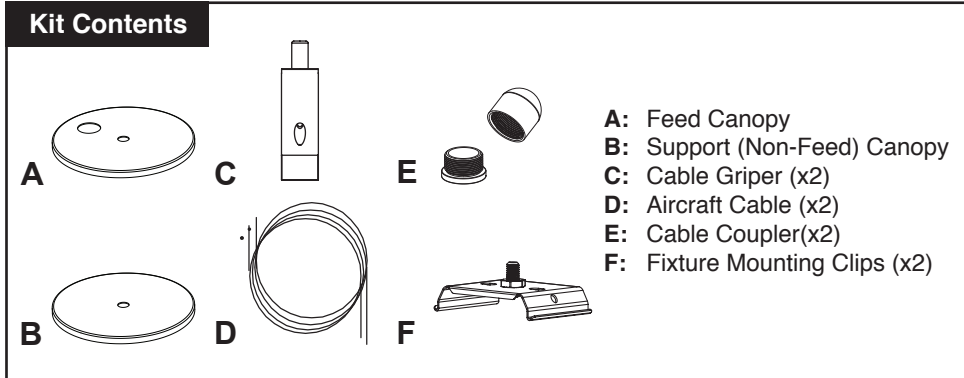
#### If NOT using 0-10V dimming:

6. Ensure VIOLET and GREY 0-10V dimming leads are properly capped.

#### Wiring Diagram



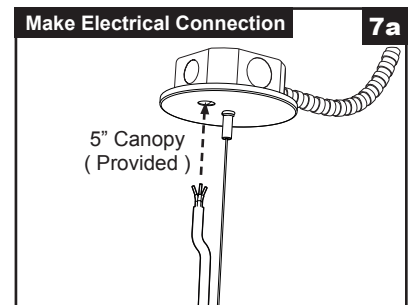
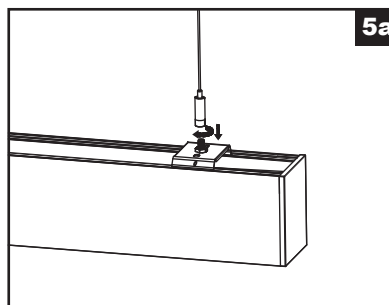
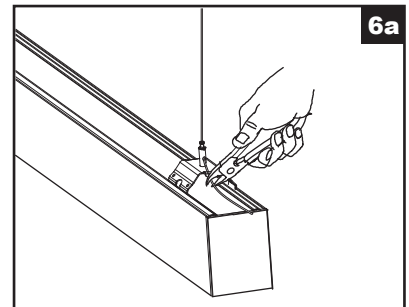
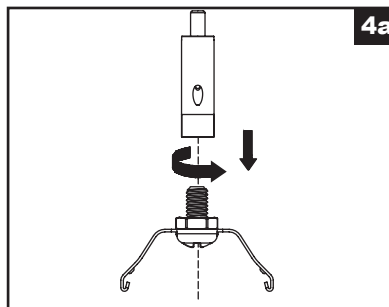
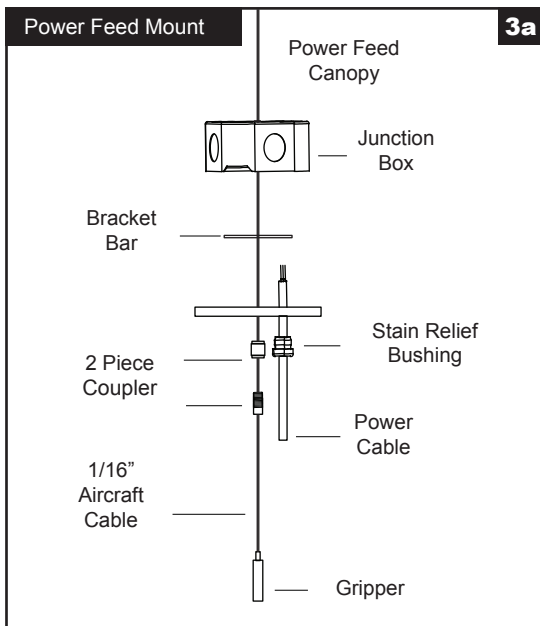
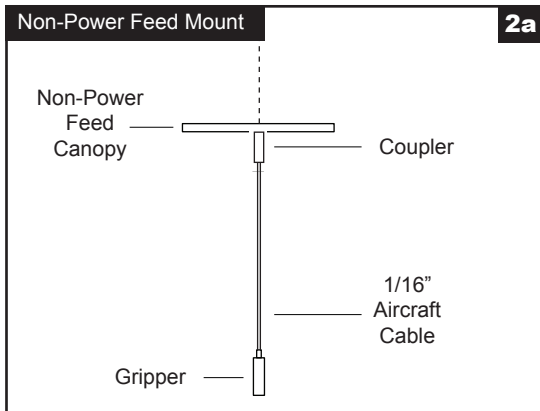
### TO INSTALL:



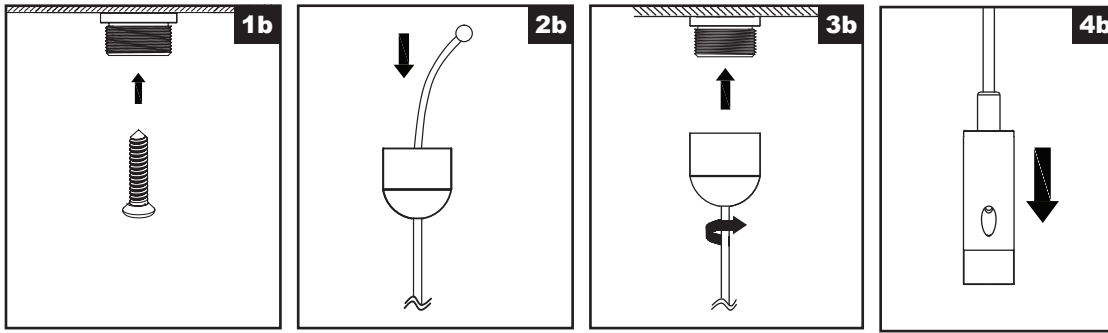
**Suspension Mount**

**Option A - Canopy Mount**

1. Install Mounting Points: Determine mounting points: its recommended that mounting point be positioned within 12" from the end of the fixture for best support (**Figure 1a**).
2. Install Power Feed Mount: Install junction box (J-Box, supplied by others) at appropriate location or use existing J-Box
3. Install bracket bar to J-Box. Feed Aircraft Cable through Feed Canopy terminals (**Figure 3a**).
4. Install Non-Power Feed Mount: Install Support Canopy onto ceiling structure (**Figure 2a**).
5. Hang Luminaire: Insert Aircraft Cables into Cable Grippers (**Figure 4b**). Install Cable Grippers onto fixture mounting clips and fix mounting clips onto luminaire, ensure clips click in completely (**Figure 4a, 5a**).
6. Adjust height and level. Luminaire can be raised or lowered through the gripper. Clip excess Aircraft Cable if needed (make sure to leave a minimum of 0.4" of excess cable) (**Figure 6a**).
7. Feed Power Cord from Fixture and into Feed Canopy hole, use strain relief to hold power cord (**Figure 7a**).
8. Wire AC main leads to fixture input leads. SEE PAGE 1 for Electrical Connection and wiring diagram instructions.



### TO INSTALL:



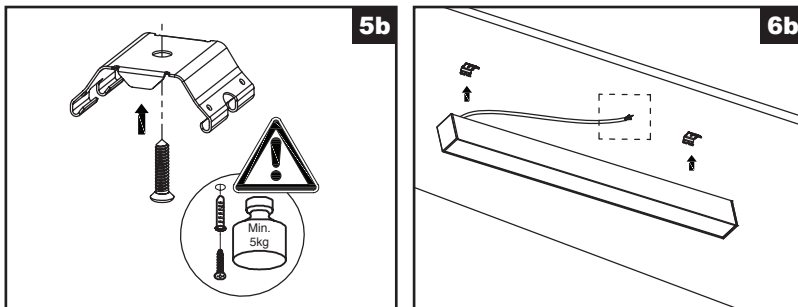
### Suspension Mount

#### Option B - Direct Aircraft Cable Coupler Mount

1. Install Mounting Points: Determine mounting points: its recommended that mounting point be positioned within 12" from the end of the fixture for best support (**Figure 1a**).
2. Use anchor bolts (supplied by others) at mounting point locations to mount first part of the Cable Coupler to secure ceiling structure, according to local building code (**Figure 1b**).
3. Thread Aircraft Cable through second threaded part of the Cable Coupler (**Figure 2b**). Screw threaded coupler into mounted coupler and let Aircraft Cable hang from ceiling structure (**Figure 3b**).
4. Install Cable Grippers onto fixture mounting clips and fix mounting clips onto luminaire (**Figure 4a, 5a**).
5. Hang Luminaire: Insert Aircraft Cables into Cable Grippers (**Figure 4b**). Adjust height and level. Luminaire can be raised or lowered through the gripper.
6. Snap Mounting Clips into top of luminaire housing, ensure clips click in completely. Clip excess Aircraft Cable if needed (make sure to leave a minimum of 0.4" of excess cable) (**Figure 6a**).

#### Surface Mount - Direct Down Light Model

1. Install Mounting Points: Determine mounting points: its recommended that mounting point be positioned within 12" from the end of the fixture for best support (**Figure 1a**).
2. Use anchor bolts (supplied by others) at mounting point locations to secure Mounting Clips to ceiling structure, according to local building code (**Figure 5b**).
3. Feed power cord to appropriate J-Box.
4. Wire AC main leads to fixture input leads. SEE PAGE 1 for Electrical Connection and wiring diagram instructions.
5. Snap Mounting Clips into top of luminaire housing, ensure clips click in completely (**Figure 6b**).



**aleo™**  
LED LIGHTING

Aleo Lighting, Inc.  
www.aleoighting.com  
13924 Bettencourt St.  
Cerritos, CA 90703  
Ph: 877-358-8825

© 2019 Aleo Lighting, Inc. All rights reserved. For informational purposes only. Reproduction in whole or part is prohibited without prior written consent of the copyright owner. The information presented in this document does not form part of any quotation or contract, is believed to be accurate and reliable and may be changed without notice. No liability will be accepted by the publisher for any consequences of its use.