

LPA™ UX Series

LED Linear Architectural Pendant

Includes: LPA-4UX, LPA-8UX

aleo™
LED LIGHTING



INSTALLATION INSTRUCTIONS

READ AND FOLLOW ALL SAFETY INSTRUCTIONS

WARNING

FAILURE TO FOLLOW THESE INSTRUCTIONS AND WARNINGS MAY RESULT IN SERIOUS INJURY OR DAMAGE TO PROPERTY

For your safety, thoroughly read these instructions and warnings in its entirety prior to installing or servicing this product. These instructions do not attempt to cover all installation and maintenance circumstances. If you do not understand these instructions or if additional information is needed, please contact Aleo Lighting customer service.

WARNING

RISK OF FIRE OR ELECTRIC SHOCK

This product must be installed and serviced by a professional electrician in accordance with applicable federal, state, and local laws, regulations, and electrical code. If not qualified, do not attempt installation of this product. Contact a qualified electrician.

WARNING

RISK OF FIRE, ELECTRIC SHOCK, or PERSONAL INJURY

To avoid risk of electrical shock, turn off power before installing or servicing.

Verify that supply voltage is correct by comparing with the input voltage on the luminaire label

Make all electrical and ground connections in accordance with NEC and any applicable code requirements

WARNING

RISK OF PERSONAL INJURY

To prevent wiring damage or abrasion, do not expose wiring to edges of sheet metal or other sharp objects
Do not make or alter any open holes in any of the enclosures with wiring or electrical components during installation

SAVE THESE INSTRUCTIONS FOR FUTURE REFERENCE

Suitable for Dry or Damp Location

WARNING

This luminaire is made for permanent installation in ordinary (non-hazardous) locations in accordance with NEC code and all applicable local and federal codes. Do not use in applications with limited ventilation or high ambient temperature enclosures.

TURN OFF POWER BEFORE INSTALLING

Electrical Connection

1. Connect BLACK (line) driver lead to voltage supply Line position (HOT).
2. Connect driver WHITE lead to the NEUTRAL supply position.
3. Connect the GREEN ground lead to the supply ground lead.

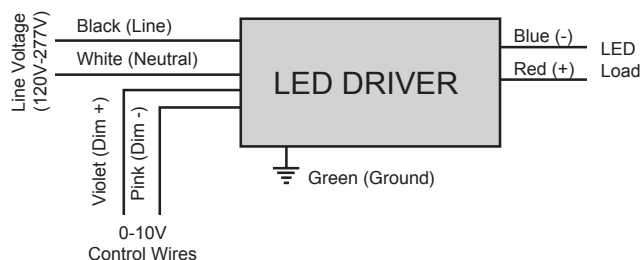
If using 0-10V dimming:

4. Connect VIOLET lead to supply POSITIVE dimming lead.
5. Connect PINK lead to the supply NEGATIVE dimming lead.

If NOT using 0-10V dimming:

6. Ensure VIOLET and PINK 0-10V dimming leads are properly capped.

Wiring Diagram

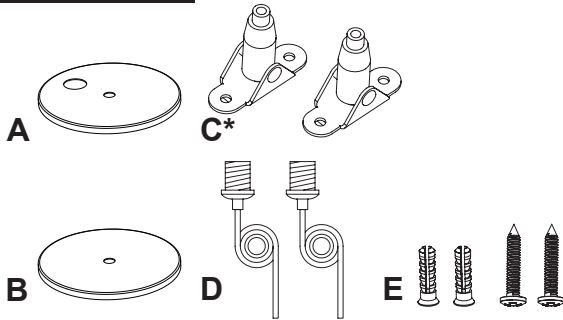


LPA™ UX Series

LED Linear Architectural Pendant

TO INSTALL:

Kit Contents

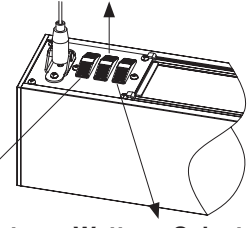


- A:** Feed Canopy
- B:** Support (Non-Feed) Canopy
- C*:** Cable Gripper (x2)
- D:** Aircraft Cable (x2)
- E:** Plastic Anchors (x2), Fasteners (x2)

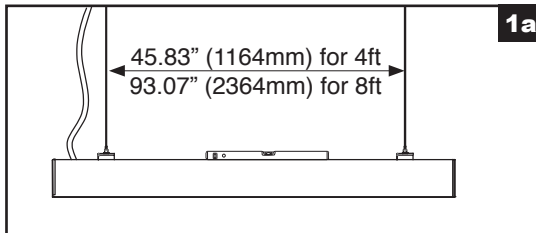
*pre-installed on the fixture.

Field Adjustable

Up/Down Light Select
30%/70% - 50%/50% - 0%/100%



CCT Select 3000K - 3500K - 4000K
Wattage Select HIGH - MED - LOW

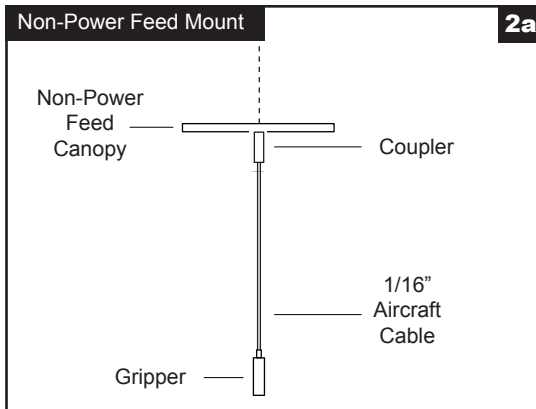


1a

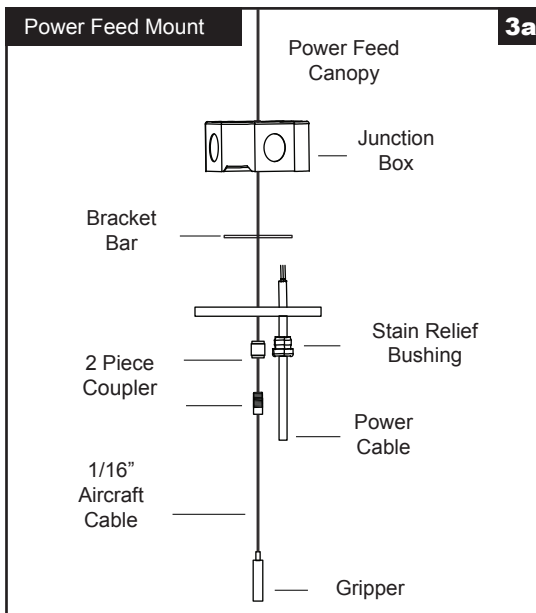
Suspension Mount

Option A - Canopy Mount

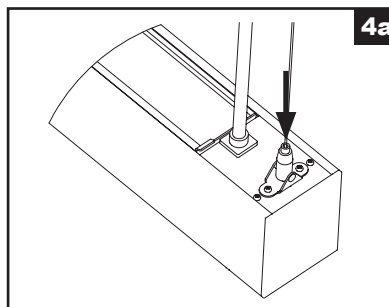
1. Install Mounting Points: the distance between mounting points on the fixture is approx. 45.83" for LPA-4 and 93.07" for LPA-8. (**Figure 1a**).
2. Install Power Feed Mount: Install junction box (J-Box, supplied by others) at appropriate location or use existing J-Box
3. Install Non-Power Feed Mount: Install Support Canopy onto ceiling structure (**Figure 2a**).
4. Install bracket bar to J-Box. Feed Aircraft Cable through Feed Canopy terminals (**Figure 3a**).
5. Hang Luminaire: Insert Aircraft Cables into Cable Grippers by pressing down on the top of the spring-loaded cable gripper (**Figure 4a**).
6. Adjust height and level. Luminaire can be raised or lowered through the gripper. Clip excess Aircraft Cable if needed (make sure to leave a minimum of 0.4" of excess cable) (**Figure 5a**).
7. Feed Power Cord from Fixture and into Feed Canopy hole, use strain relief to hold power cord (**Figure 6a**).
8. Wire AC main leads to fixture input leads. SEE PAGE 1 for Electrical Connection and wiring diagram instructions.



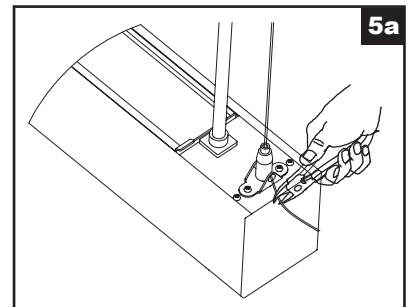
2a



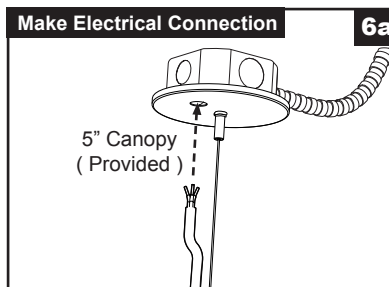
3a



4a



5a



Make Electrical Connection

6a

5" Canopy (Provided)

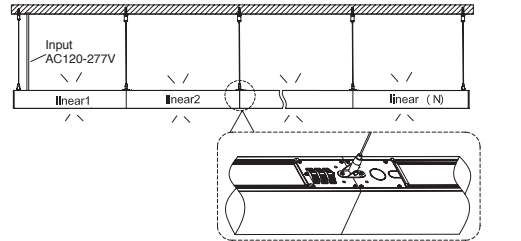
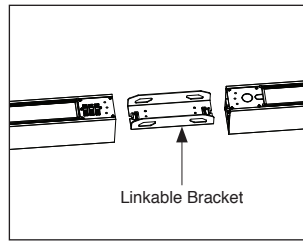
LPA™ UX Series LED Linear Architectural Pedant

TO INSTALL:

Continuous Row

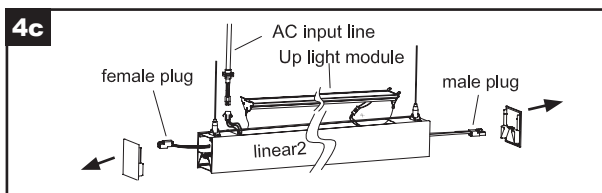
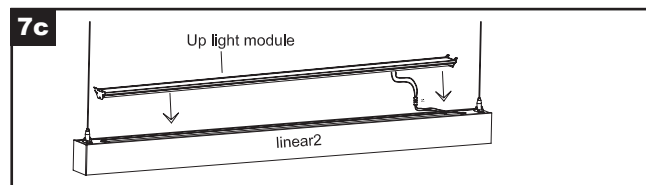
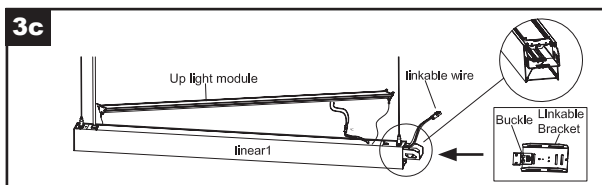
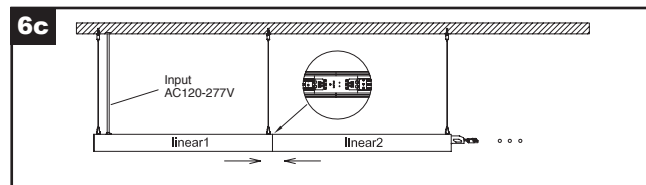
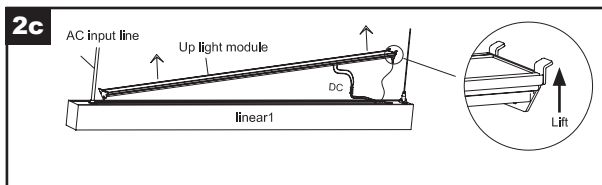
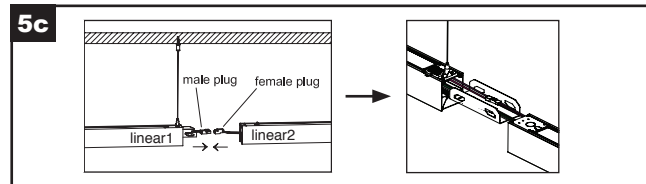
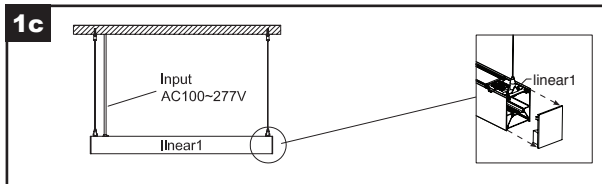
Follow previous instructions on installation for suspension mount.

Note: Aircraft cable will mount in between each center segment that is connected to each other.



IMPORTANT: REFER TO MAXIMUM CONNECTION CHART TO DETERMINE MAX NO. OF SEGMENTS PER AC INPUT CORD

1. Once aircraft cable is mounted, remove the end cap of the connecting end of Linear 1 end segment (**Figure 1c**).
2. Lift up the up-light module (**Figure 2c**).
3. Insert the linkable bracket into the connecting end of the first segment, engage the buckle inside the fixture, take out the linkable wiring harness (**Figure 3c**).
4. Remove both end caps of the next middle segment and repeat steps 2 and 3. Disconnect the input AC of the cord from the LED driver by unplugging the quick disconnect. Take the female side of the disconnect and feed it out of the end of the fixture (**Figure 4c**).
5. Connect the male plug of Linear 1 and female plug of Linear 2, connect the linkable bracket to Linear 2, engage the buckle inside Linear 2 (**Figure 5c**).
6. Check the connection between the segments, ensure a tight connection and no major gaps show (**Figure 6c**).
7. Ensure the wiring harness connections are solid between fixtures (male and female connectors). Re-install the up-light module and press down (**Figure 7c**).



Maximum No. of Connected Segments Chart			
Up & Down Linear	2FT/30W	4FT/50W	8FT/100W
AC120V	12	7	3
AC277V	28	17	8

aleo™
LED LIGHTING

Aleo Lighting, Inc.
www.aleoighting.com
10988 Bloomfield Ave.
Santa Fe Springs, CA
Ph: 877-358-8825

© 2021 Aleo Lighting, Inc. All rights reserved. For informational purposes only. Reproduction in whole or part is prohibited without prior written consent of the copyright owner. The information presented in this document does not form part of any quotation or contract, is believed to be accurate and reliable and may be changed without notice. No liability will be accepted by the publisher for any consequences of its use.

LPA-UX-IS