

# LLS UX™ Series

## LED Linear Strip Luminaire

Includes: LLS-4, LLS-8

**aleo™**  
LED LIGHTING



## INSTALLATION INSTRUCTIONS

### READ AND FOLLOW ALL SAFETY INSTRUCTIONS

#### WARNING

##### FAILURE TO FOLLOW THESE INSTRUCTIONS AND WARNINGS MAY RESULT IN SERIOUS INJURY OR DAMAGE TO PROPERTY

For your safety, thoroughly read these instructions and warnings in its entirety prior to installing or servicing this product. These instructions do not attempt to cover all installation and maintenance circumstances. If you do not understand these instructions or if additional information is needed, please contact Aleo Lighting customer service.

#### WARNING

##### RISK OF FIRE OR ELECTRIC SHOCK

This product must be installed and serviced by a professional electrician in accordance with applicable federal, state, and local laws, regulations, and electrical code. If not qualified, do not attempt installation of this product. Contact a qualified electrician.

#### WARNING

##### RISK OF FIRE, ELECTRIC SHOCK, or PERSONAL INJURY

To avoid risk of electrical shock, turn off power before installing or servicing.

Verify that supply voltage is correct by comparing with the input voltage on the luminaire label.

Make all electrical and ground connections in accordance with NEC and any applicable code requirements.

#### WARNING

##### RISK OF PERSONAL INJURY

To prevent wiring damage or abrasion, do not expose wiring to edges of sheet metal or other sharp objects. Do not make or alter any open holes in any of the enclosures with wiring or electrical components during installation.

### SAVE THESE INSTRUCTIONS FOR FUTURE REFERENCE

Suitable for Dry or Damp Location

#### WARNING

This luminaire is made for permanent installation in ordinary (non-hazardous) locations in accordance with NEC code and all applicable local and federal codes. Do not use in applications with limited ventilation or high ambient temperature enclosures.

#### TURN OFF POWER BEFORE INSTALLING

#### Electrical Connection

1. Connect BLACK (line) driver lead to voltage supply Line position (HOT).
2. Connect driver WHITE lead to the NEUTRAL supply position.
3. Connect the GREEN ground lead to the supply ground lead.

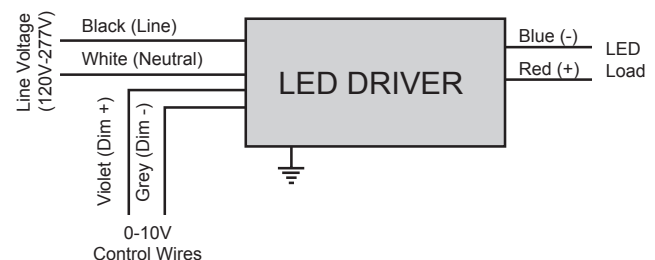
#### If using 0-10V dimming:

4. Connect VIOLET lead to supply POSITIVE dimming lead.
5. Connect GREY lead to the supply NEGATIVE dimming lead.

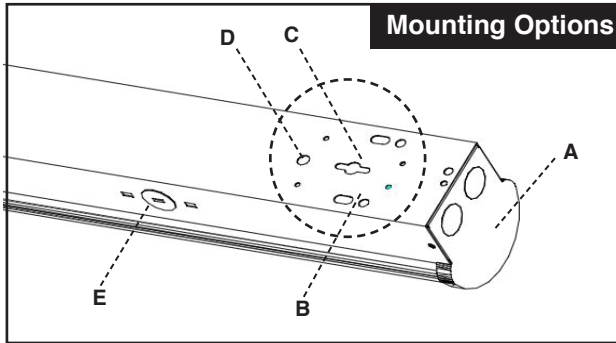
#### If NOT using 0-10V dimming:

6. Ensure VIOLET and GREY 0-10V dimming leads are properly capped.

#### Wiring Diagram



## TO INSTALL:



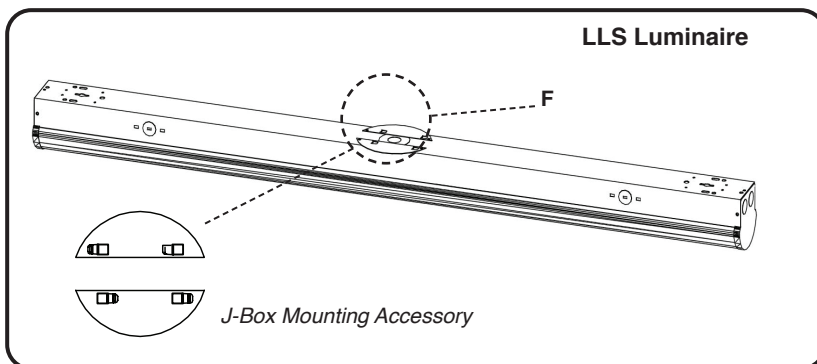
- A:** End Cap
- B:** Suspension-mount with v-hook
- C:** Surface Mount
- D:** T-Bar Clip Mounting hole
- E:** Wiring Knockout

### **B** Suspension Mount (with v-hook)

Attach v-hook (supplied by others) to each end of the luminaire base. Fasten chain or cable (supplied by others) to mounting surface/structure and attach to v-hooks.

### **C** Surface Mount

Secure luminaire base to mounting surface by inserting #8 anchor screw, toggle bolts or suitable fasteners (supplied by others) into the key hole slots on the top side of the luminaire base.



### **D** T-Bar Clip Mounting Hole

Attach T-bar clip (supplied by others) to the designated opening on the luminaire. Bring luminaire to T-bar ceiling grid and secure luminaire to T-bar grid.

### **F** J-Box Mounting

To mount luminaire to a junction box, fasten J-Box mounting accessory (supplied) to cover junction box (figure 2). Slide luminaire in place and ensure clips on the mounting accessory engage and lock with the luminaire.

Figure 1

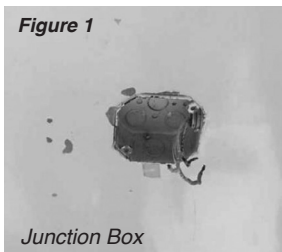
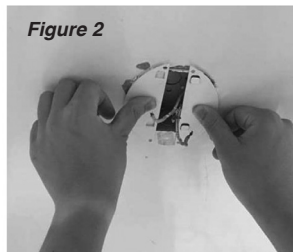
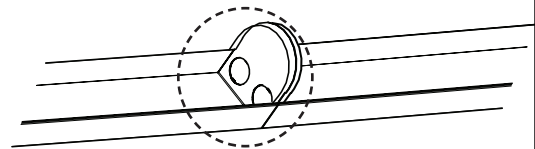


Figure 2

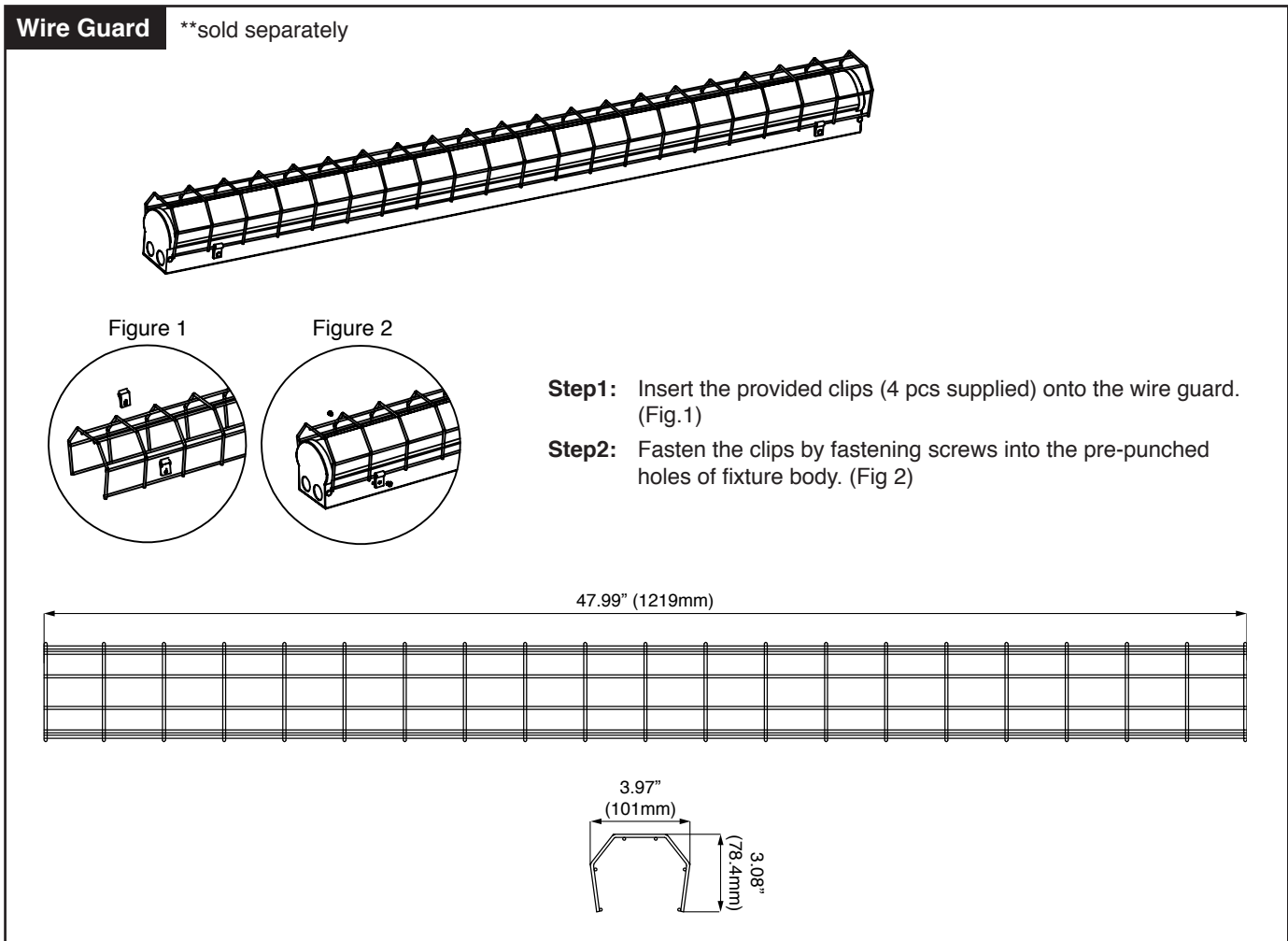
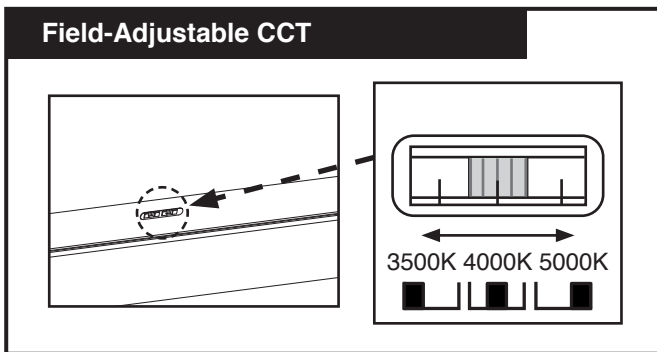


### Multiple Luminaire - Daisy Chain



For multiple luminaire, daisy chain installation, insert chase nipple and lock nut (supplied by others) into the knockouts on the side end cap of each luminaire.

### TO INSTALL:



**aleo™**  
LED LIGHTING

Aleo Lighting, Inc.  
www.aleoighting.com  
10988 Bloomfield Ave.  
Santa Fe Springs, CA 90670  
Ph: 877-358-8825

© 2021 Aleo Lighting, Inc. All rights reserved. For informational purposes only. Reproduction in whole or part is prohibited without prior written consent of the copyright owner. The information presented in this document does not form part of any quotation or contract, is believed to be accurate and reliable and may be changed without notice. No liability will be accepted by the publisher for any consequences of its use.