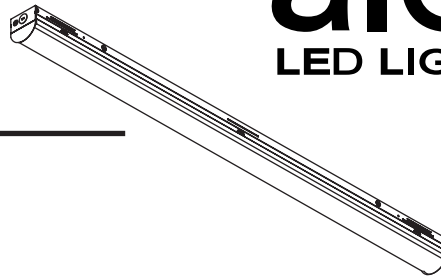


LLS™ UX G5 Series

LED Linear Strip Luminaire

Includes: LLS-2 G5, LLS-4 G5, LLS-8 G5

aleo™
LED LIGHTING



INSTALLATION INSTRUCTIONS

READ AND FOLLOW ALL SAFETY INSTRUCTIONS

WARNING

FAILURE TO FOLLOW THESE INSTRUCTIONS AND WARNINGS MAY RESULT IN SERIOUS INJURY OR DAMAGE TO PROPERTY

For your safety, thoroughly read these instructions and warnings in its entirety prior to installing or servicing this product. These instructions do not attempt to cover all installation and maintenance circumstances. If you do not understand these instructions or if additional information is needed, please contact Aleo Lighting customer service.

WARNING

RISK OF FIRE OR ELECTRIC SHOCK

This product must be installed and serviced by a professional electrician in accordance with applicable federal, state, and local laws, regulations, and electrical code. If not qualified, do not attempt installation of this product. Contact a qualified electrician.

WARNING

RISK OF FIRE, ELECTRIC SHOCK, or PERSONAL INJURY

To avoid risk of electrical shock, turn off power before installing or servicing.

Verify that supply voltage is correct by comparing with the input voltage on the luminaire label

Make all electrical and ground connections in accordance with NEC and any applicable code requirements

WARNING

RISK OF PERSONAL INJURY

To prevent wiring damage or abrasion, do not expose wiring to edges of sheet metal or other sharp objects
Do not make or alter any open holes in any of the enclosures with wiring or electrical components during installation

SAVE THESE INSTRUCTIONS FOR FUTURE REFERENCE

Suitable for Dry or Damp Location

WARNING

This luminaire is made for permanent installation in ordinary (non-hazardous) locations in accordance with NEC code and all applicable local and federal codes. Do not use in applications with limited ventilation or high ambient temperature enclosures.

TURN OFF POWER BEFORE INSTALLING

Electrical Connection

1. Connect BLACK (line) driver lead to voltage supply Line position (HOT).
2. Connect driver WHITE lead to the NEUTRAL supply position.
3. Connect the GREEN ground lead to the supply ground lead.

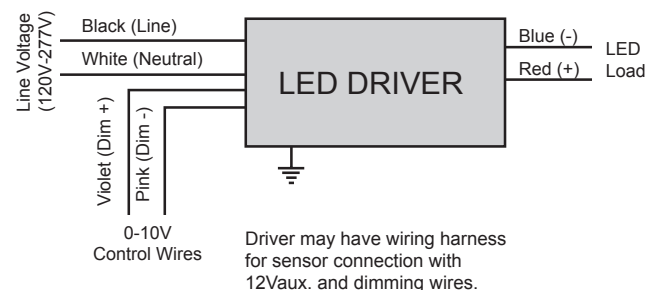
If using 0-10V dimming:

4. Connect VIOLET lead to supply POSITIVE dimming lead.
5. Connect PINK lead to the supply NEGATIVE dimming lead.

If NOT using 0-10V dimming:

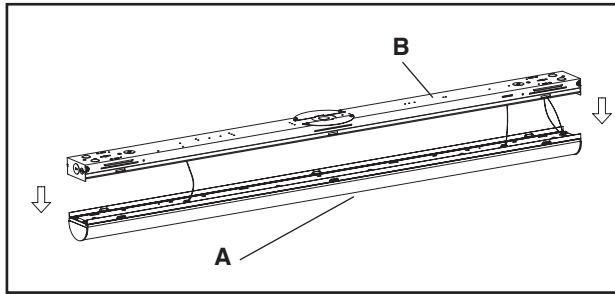
6. Ensure VIOLET and PINK 0-10V dimming leads are properly capped.

Wiring Diagram



LLS™ UX G5 Series Linear Strip Luminaire

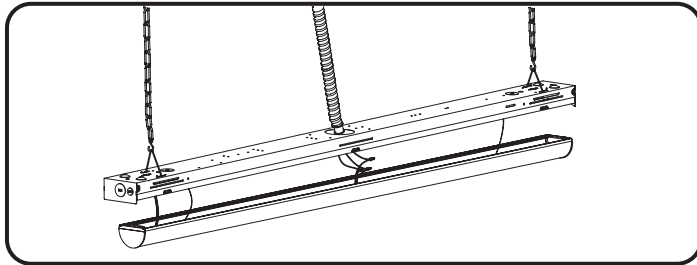
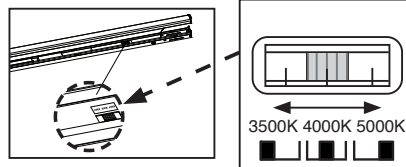
TO INSTALL:



A: Gear Tray and Lens

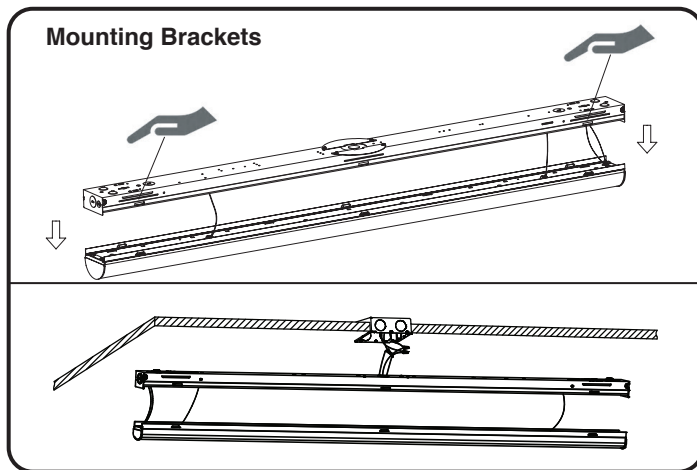
B: Channel Housing

Field-Adjustable CCT



A Suspension Mount (with v-hook)

Attach v-hook (supplied by others) to each end of the luminaire base. Fasten chain or cable (supplied by others) to mounting surface/structure and attach to v-hooks.



Mounting Brackets

B Surface Mounting Brackets

Secure Channel Housing to mounting surface by inserting #8 anchor screw, toggle bolts or suitable fasteners (supplied by others) into the holes/slots on the mounting bracket. Make electrical connections per pg.1 instructions. Snap Gear Tray onto Channel Housing. Ensure luminaire is securely locked on clips.

C Snap-In Gear Tray

To remove gear tray, squeeze the channel housing from both sides and pull the gear tray away from the housing. Repeat the process down the length of the strip.

D J-Box Mounting

To mount luminaire to a junction box, fasten J-Box mounting accessory (supplied) to cover junction box (figure 2). Slide luminaire in place and ensure clips on the mounting accessory engage and lock with the luminaire.

Figure 1



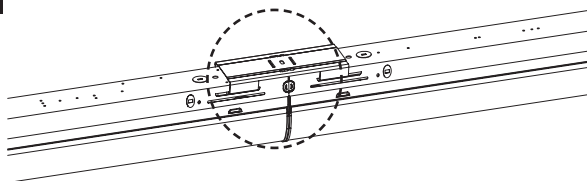
Junction Box

Figure 2



Continuous Run Connection

For multiple luminaire continuous run installation, utilize linking bracket (sold separately) to connect luminaires end to end.

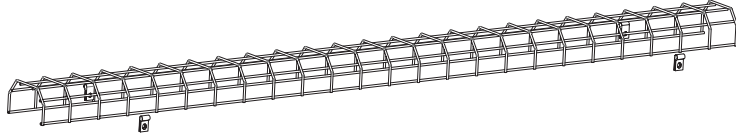


TO INSTALL:

Wire Guard

**sold separately

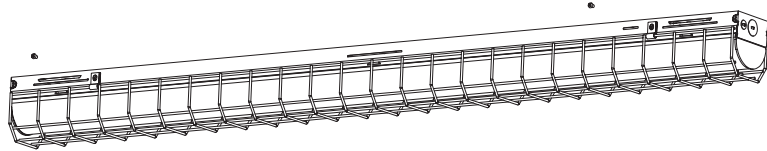
Figure 1



Step1: Insert the provided clips (4 pcs supplied) onto the wire guard. (Fig.1)

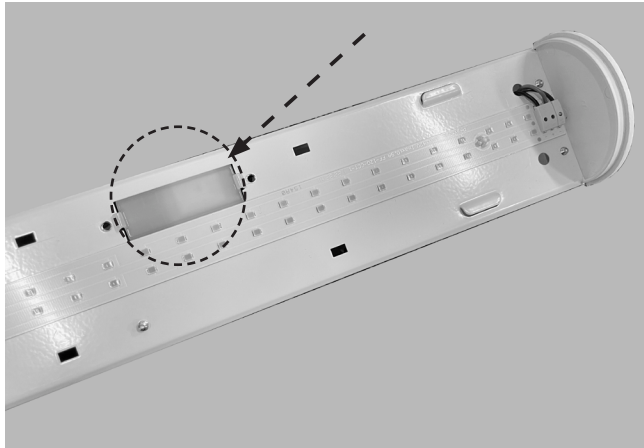
Step2: Fasten the clips by fastening screws into the pre-punched holes of fixture body. (Fig 2)

Figure 2



Sensor Installation

**sold separately



Basic (Non-networked) Occupancy Sensor w/ Daylight - High Frequency Microwave Technology

Step 1: Carefully remove lens from gear tray, avoid damaging the lens while removing.

Step 2: From the back of the gear tray, remove (2) screws that hold the sensor cut-out cover.

Step 3: Snap in microwave sensor (sold separately) with mounting spring legs facing towards the back of the gear tray.

Step 4: Insert the sensor connector from the driver into the back of the sensor. Ensure solid mating connection.

aleo™
LED LIGHTING

Aleo Lighting, Inc.
www.aleoighting.com
10988 Bloomfield Ave.
Santa Fe Springs, CA 90670
Ph: 877-358-8825