

Project	
Notes	
Type	Date
Cat. No.	

LDCM-2A-UNV-220 Linear Dimming Control Module - Plenum Rated

DESCRIPTION

The AleoBlue linear dimming control module plenum rated (LDCM) takes a 0-10V dimming signal and a fixed line voltage input and converts it to a forward/reverse phase dimmed output for up to 600W with a 277V load and 276W on a 120V load. One LDCM can be used per run up to the maximum wattage. LDCM is rated to directly mount to a junction box in a plenum space for easier installation.

APPLICATIONS

Indoor: Open offices, Individual offices, Conference rooms, Classrooms, Retail stores, Hospitals, Lobbies.



LDCM-2A-UNV-220
Linear Dimming Control Module - Plenum Rated

Specification Features

Features

- Dims both forward and reverse phase only fixtures with 0-10V
- Simple installation
- Direct J-Box mount
- 120V and 277V compatible
- Built in 12V Aux power supply
- 276W @120V, 600W @277V
- Plenum rated
- One LDCM per fixture run

Certification

UL Listed. UL 2043 Plenum Rated.

Warranty

5-year Limited Warranty. See warranty

Performance Summary

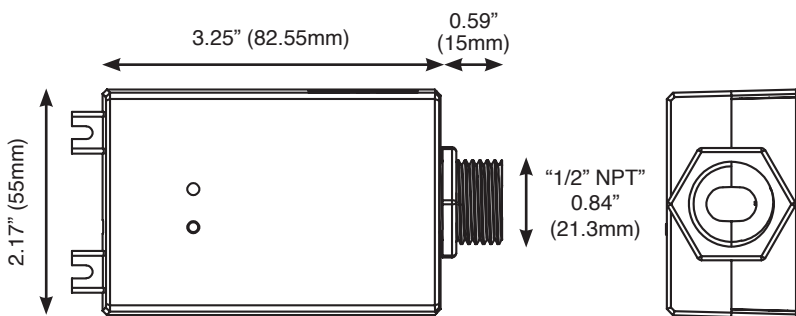
ELECTRICAL	
Power Rating	276W MAX @110-120V 600W MAX @277V
Load Rating	2.3A MAX
Operating Voltage	100V-277V
Operating Hertz	50/60Hz
Aux Power	12V, 80mA MAX
Operating Temp.	32°F to 104°F (0°C to 40°C)
Relative Humidity	8%-80%
CONTROL	
Dimming	Forward or Reverse Phase; Converted from 0-10V Controller
PHYSICAL	
Dimensions	3.2"L x 2.2"W x 1.2"H (82.5mm x 55mm x 31mm)
Color	White
Mounting Options	J-Box or in-Fixture

Ordering Information

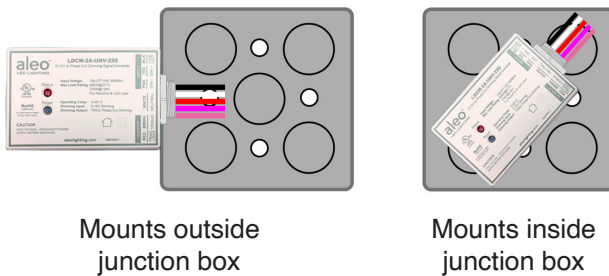
Example: LDCM-2A-UNV-220

LDCM	2A	UNV	220
Type	Load (Nom.)	Operating Voltage	220 Designator
LDCM	2A	UNV	220
Linear Dimming Control Module	2 amp	120-277V	

Dimensions



Easy Mounting

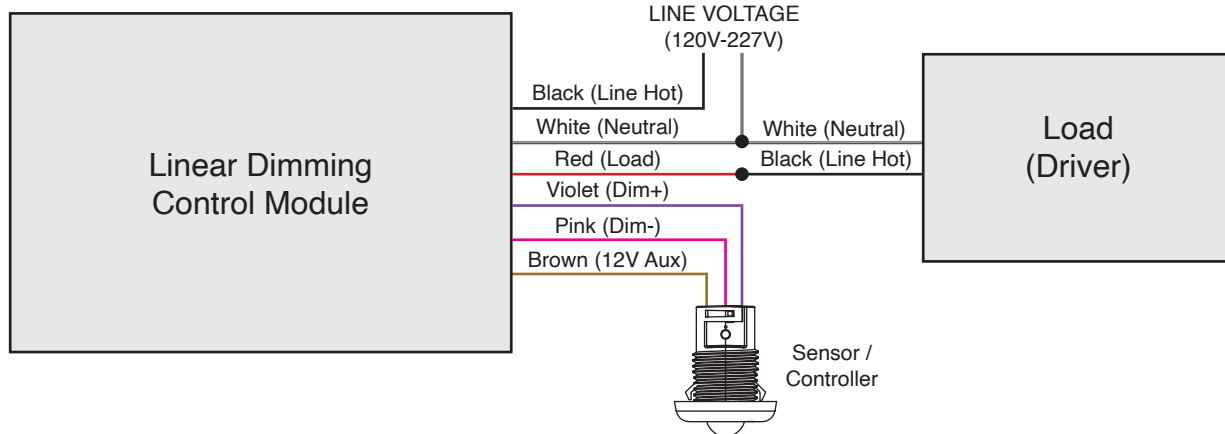


Lead Information		
Color	Length (in.)	Gauge / Rating
Black	6	18AWG, 300V
White	6	18AWG, 300V
Red	6	18AWG, 300V
Purple	6	22AWG, 300V
Pink	6	22AWG, 300V
Brown	6	18AWG, 300V

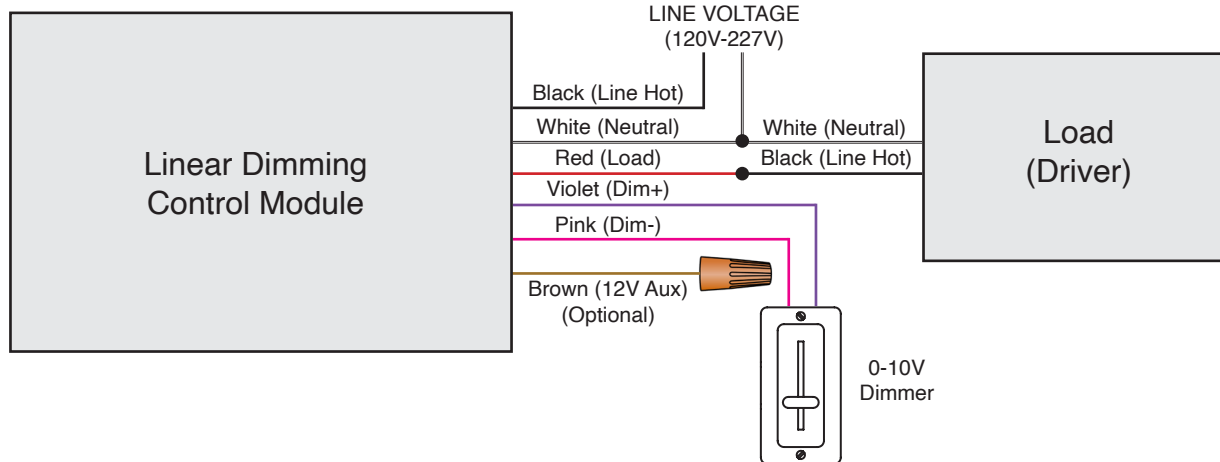


Wiring Diagram

With 0-10V Sensor



With 0-10V Dimmer Switch



Specifications and Dimensions subject to change without notice.