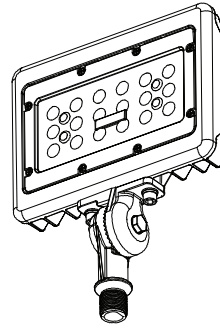


FL™ Series

Mini Flood Light

includes: FL-15, FL-30, FL-50

aleoTM
LED LIGHTING



INSTALLATION INSTRUCTIONS

READ AND FOLLOW ALL SAFETY INSTRUCTIONS

WARNING

FAILURE TO FOLLOW THESE INSTRUCTIONS AND WARNINGS MAY RESULT IN SERIOUS INJURY OR DAMAGE TO PROPERTY

For your safety, thoroughly read these instructions and warnings in its entirety prior to installing or servicing this product. These instructions do not attempt to cover all installation and maintenance circumstances. If you do not understand these instructions or if additional information is needed, please contact Aleo Lighting customer service.

WARNING

RISK OF FIRE OR ELECTRIC SHOCK

This product must be installed and serviced by a professional electrician in accordance with applicable federal, state, and local laws, regulations, and electrical code. If not qualified, do not attempt installation of this product. Contact a qualified electrician.

WARNING

RISK OF FIRE, ELECTRIC SHOCK, or PERSONAL INJURY

To avoid risk of electrical shock, turn off power before installing or servicing.

Verify that supply voltage is correct by comparing with the input voltage on the luminaire label

Make all electrical and ground connections in accordance with NEC and any applicable code requirements

WARNING

RISK OF PERSONAL INJURY

To prevent wiring damage or abrasion, do not expose wiring to edges of sheet metal or other sharp objects
Do not make or alter any open holes in any of the enclosures with wiring or electrical components during installation

SAVE THESE INSTRUCTIONS FOR FUTURE REFERENCE

Suitable for Wet Location

WARNING

This luminaire is made for permanent installation in ordinary (non-hazardous) locations in accordance with NEC code and all applicable local and federal codes. Do not use in applications with limited ventilation or high ambient temperature enclosures.

TURN OFF POWER BEFORE INSTALLING

Electrical Connection

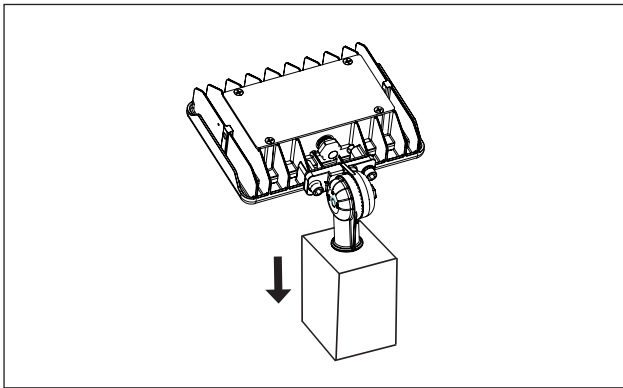
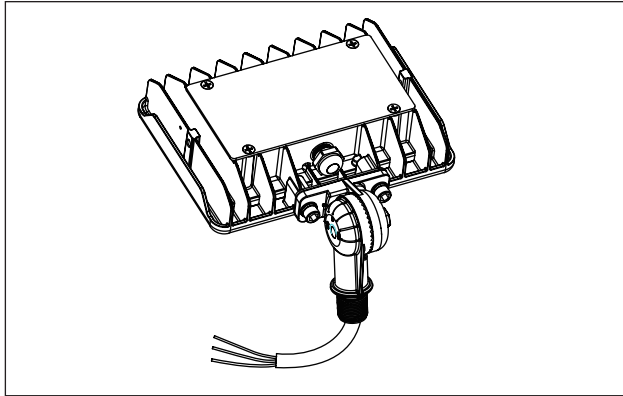
1. Connect BLACK (line) driver lead to voltage supply Line position (HOT).
2. Connect driver WHITE lead to the NEUTRAL supply position.
3. Connect the GREEN ground lead to the supply ground lead.

Wiring Diagram



TO INSTALL:

A KNUCKLE-MOUNT ARM INSTALLATION



INSTALLATION STEPS:

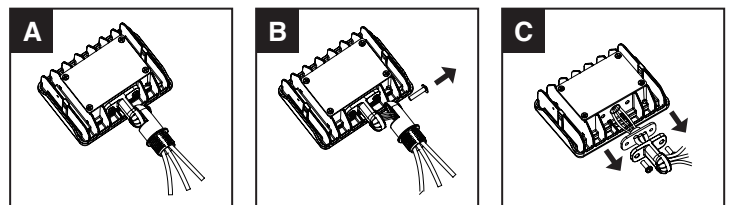
1. Turn off power before installation.
2. Remove lock-nut from threaded chase nipple of knuckle-mount arm.
3. Feed wire leads through electrical box (supplied by others) 1/2 trade size knockout (KO).
4. Feed chase nipple through 1/2 trade size knockout of electrical box.
5. Fasten lock nut inside electrical box to threaded chase nipple and tighten lock-nut, ensure O-ring gasket is properly positioned on the outside of the electrical box KO.
6. Ensure knuckle-mount arm is securely fastened to the electrical box.
7. Make necessary wiring connections inside electrical box. SEE PAGE 1 for Electrical Connection and wiring diagram instructions. Make all electrical and ground connections in accordance with NEC and any applicable code requirements.
8. Close electrical box cover.
9. If knuckle-mount angle needs to be adjusted: loosen screw on knuckle-mount joint, adjust to the desired angle and tighten screw.

B OPTIONAL YOKE-MOUNT (Sold Separately, for FL-30 and FL-50 ONLY) INSTALLATION

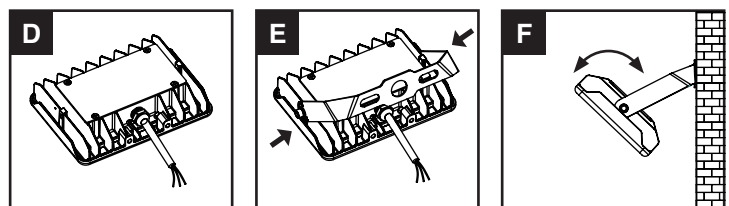
INSTALLATION STEPS:

1. Turn off power before installation.
2. Remove knuckle-mount arm by removing screw that holds knuckle-mount joint and unhinging the arm (**Figure B**). Pull the wire leads out of the bottom portion of the arm. Remove the (2) screws that hold the top portion of the arm to the flood light body.
3. Once the knuckle-mount arm is removed, attach yoke mount to the side of the flood light (**Figure C**).
4. Attach (2) screws to the yoke mount and the fixture, adjust to the desired angle and tighten the screws (**Figure E**).
5. Mount yoke to appropriate structure using fasteners supplied by others (**Figure F**).
6. Feed power cord to appropriate junction box (supplied by others).
7. Make necessary wiring connections inside electrical box. SEE PAGE 1 for Electrical Connection and wiring diagram instructions. Make all electrical and ground connections in accordance with NEC and any applicable code requirements.

Remove Knuckle Mount

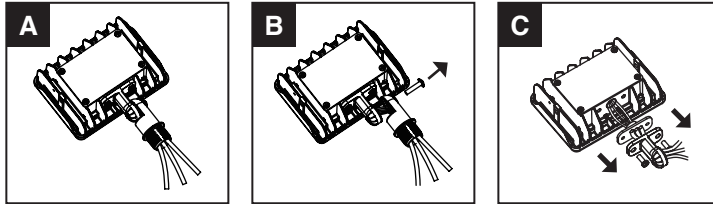


Yoke Mount Installation

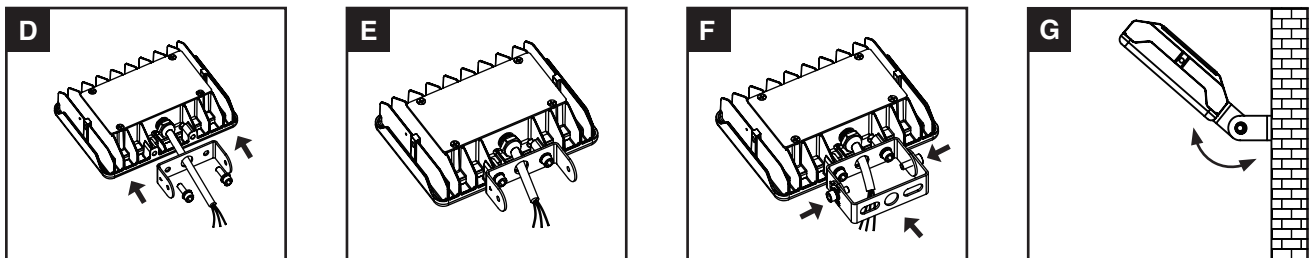


C **OPTIONAL TRUNION-MOUNT (Sold Separately, for FL-30 and FL-50 ONLY)**
INSTALLATION

Remove Knuckle Mount



Trunion Mount Installation



INSTALLATION STEPS:

1. Turn off power before installation.
2. Remove knuckle-mount arm by removing screw that holds knuckle-mount joint and unhinging the arm. Pull the wire leads out of the bottom portion of the arm (**Figure. B**). Remove the (2) screws that hold the top portion of the arm to the flood light body (**Figure. C**).
3. Once the knuckle-mount arm is removed, attach trunion mount to the bottom of the flood light using the same (2) holes that the knuckle-mount bracket was attached to (**Figure. D**).
4. Attach the second part of the trunion mount, insert screws on the side of the trunion bracket (**Figure. F**), adjust to the desired angle and tighten screws (**Figure. G**).
5. Feed power cord to appropriate junction box (supplied by others).
6. Make necessary wiring connections inside electrical box. SEE PAGE 1 for Electrical Connection and wiring diagram instructions. Make all electrical and ground connections in accordance with NEC and any applicable code requirements.

aleo™
LED LIGHTING

Aleo Lighting, Inc.
www.aleolighting.com
13924 Bettencourt St.
Cerritos, CA 90703
Ph: 877-358-8825