



## EXL™ Series

Bi-Color Edge-Lit Exit Sign

### DESCRIPTION

The Aleo EXL™ Series Bi-Color Edge-Lit Exit Sign combines a slim edge-lit appearance with durable construction for commercial egress applications. The injection-molded, flame-retardant, high-impact thermoplastic housing and high-grade acrylic panel provide a clean architectural look, while switchable super-bright red or green LEDs allow field selection of exit color. Universal 120-277VAC operation, included side and ceiling mounting plates, and a universal J-box mounting pattern support quick installation, while the removable front cover simplifies battery maintenance. A built-in 3.6V 500mAh NiMH battery provides a minimum of 90 minutes of emergency operation and includes a test switch and LED status indicator.

### APPLICATIONS

Office buildings, schools, healthcare facilities, retail stores, hospitality spaces, multifamily residential corridors, and other commercial indoor egress applications. Ideal for lobbies, hallways, stairwells, and architectural interiors where a low-profile, edge-lit exit sign enhances aesthetics while providing reliable emergency wayfinding.

### SPECIFICATION FEATURES

- CONSTRUCTION**  
 Injection-molded, flame-retardant, high-impact thermoplastic housing with high grade acrylic panel.
- OPTICAL SYSTEM**  
 Switchable red or green LED (10pcs ea.)
- CERTIFICATION**  
 UL Listed to UL924 Emergency Lighting and Power Equipment and CSA C22.2 No. 141 Unit Equipment for Emergency Lighting. Meets NFPA 101 (current Life Safety Code), FCC Title 47, Part 15, Subpart B.
- ELECTRICAL**  
 120V-277VAC Universal voltage operation. Emergency unit provided with test switch, LED indicator and rechargeable battery.
- VISIBILITY**  
 Field-selectable bi-color red/green letters, 6" high with 3/4" stroke; 100 ft. viewing distance per UL924.
- INSTALLATION / MOUNTING**  
 Product comes standard with side and ceiling mounting plates for quick and easy installation. Removable front cover for easy installation and battery maintenance. Recess Mount Kit is available (sold separately).
- EMERGENCY OPERATION**  
 Built-in 3.6V 500mAh NiMH battery for minimum 90 minutes emergency operation. Maximum recharge time is 24 hours. Includes test switch and LED indicator.
- WARRANTY**  
 5-year limited warranty. See warranty documentation for more information.

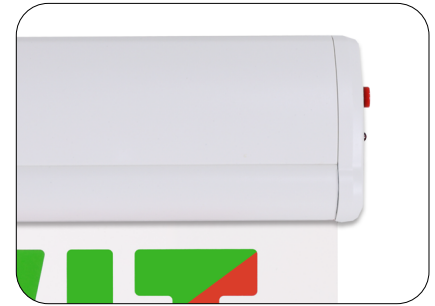
### ORDERING INFORMATION

EXAMPLE: EXL-WH-RG-2S-UM

EXL	WH	RG	2S	UM
Series	Housing Color	LED Letter Color	Face Configuration	Mounting
EXL Edge-Lit Exit Sign	WH White thermoplastic housing/ end-cap finish	RG Red & Green LED letters (bi-color, field selectable)	2S 2-Sided capability (single or double faces included)	UM Universal Mount (ceiling, wall or end mount)

**IMPORTANT: THE BATTERY MUST BE RECHARGED EVERY SIX (6) MONTHS. IF NOT RECHARGED ACCORDINGLY, BATTERY MAY FAIL AND VOID WARRANTY**

Specifications and Dimensions subject to change without notice.

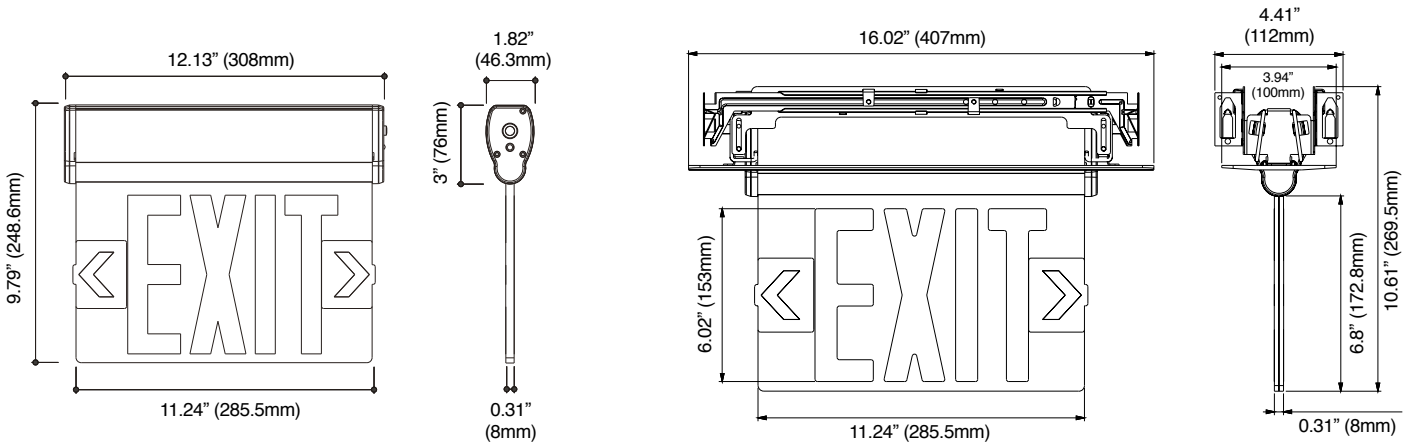

**PERFORMANCE SUMMARY**

<b>Input Voltage</b>	120V-277VAC Universal voltage	<b>Charging Time</b>	24 Hours
<b>Input Wattage</b>	2.0W	<b>Emergency Run Time</b>	90 Minutes
<b>LED Type</b>	10pcs Red LED, 10pcs Green LED	<b>Operating Temp.</b>	0° to 40°C
<b>Battery</b>	3.6V 500mAh NiMH battery		

**PRODUCT DIMENSIONS**

Master Carton Qty.: 6

With Recess Mount Kit (Sold Separately) - Model No. EXL-RMK


**ELECTRICAL OPERATION**

- **Charge Mode** - Under normal AC power, the unit operates in trickle-charge mode at 2.0W input across the 120V–277V universal range. Current-limiting charger circuitry regulates charge voltage to prevent overcharge and extend battery service life. Full recharge from a 90-minute discharge completes within 24 hours.
- **Emergency Transfer** - On loss of AC power, the unit automatically transfers to emergency mode and energizes both LED heads from the 3.6V 500mAh NiMH battery. Rated emergency runtime is a minimum of 90 minutes at full lumen output. On restoration of AC power, the unit returns to charge mode without manual reset.
- **Test and Status Indication** - A push-to-test switch on the housing manually simulates AC loss for periodic compliance verification. LED status indicator denotes AC present and battery charging
- **Periodic Testing** - NFPA 101 Life Safety Code requires a 30-second functional test monthly and a 90-minute discharge test annually.