



## EMC SQ™ Series

Emergency Combo Exit Sign, Dual Square Head

### DESCRIPTION

The Aleo EMC™ SQ Series Emergency Combo Exit Sign combines exit signage and emergency illumination in one durable, low-profile unit for commercial interiors. Field-selectable red or green LED letters let a single unit satisfy either code requirement, while two LED square lamp heads deliver path-of-egress illumination on loss of power. The flame-retardant, high-impact thermoplastic housing is indoor damp-location listed, and dual 120V/277V input with a universal J-box mounting pattern allows quick wall or ceiling installation. A built-in 3.6V 1200mAh NiMH battery provides a minimum of 90 minutes of emergency operation, with an integrated test switch and status indicator for simple compliance checks.

### APPLICATIONS

Code-required emergency egress lighting and exit identification per NFPA 101 Life Safety Code. Ideal for corridors, stairwells, hallways, offices, schools, retail spaces, and healthcare facilities — and optimized for lower mounting heights, where the wide-throw square lamp heads maximize path-of-egress coverage between fixtures.

### SPECIFICATION FEATURES

- **CONSTRUCTION**  
Injection molded, flame retardant, high impact, thermoplastic housing.
- **OPTICAL SYSTEM**  
Two (2) 12pcs ultra bright 2835 SMD LED lamp heads for emergency mode.
- **CERTIFICATION**  
UL Listed to UL924 Emergency Lighting and Power Equipment and CSA C22.2 No. 141 Unit Equipment for Emergency Lighting. Indoor damp location listed. Meets NFPA 101 (current Life Safety Code), FCC Title 47, Part 15, Subpart B. RoHS compliant.
- **ELECTRICAL**  
Product features 120V or 277V input for convenient installation. Emergency unit provided with test switch, status indicator and rechargeable battery.
- **VISIBILITY**  
Field-selectable bi-color red/green letters, 6" high with 3/4" stroke; 100 ft. viewing distance per UL924.
- **INSTALLATION / MOUNTING**  
Product comes standard with mounting plate for quick and easy installation. Suitable for wall mount or ceiling applications. Universal J-box mounting pattern.
- **EMERGENCY OPERATION**  
Built-in 3.6V 1200mAh NiMH battery for minimum 90 minutes emergency operation. Maximum recharge time is 24 hours. Includes test switch and charge indicator.
- **WARRANTY**  
5-year limited warranty. See warranty documentation for more information.

### ORDERING INFORMATION

EXAMPLE: EMC-SQ-WH-RG

EMC	SQ	WH	RG
<b>Series</b>	<b>Head Shape</b>	<b>Housing Color</b>	<b>LED Letter Color</b>
<b>EMC</b> Emergency Combo (exit + emergency lights)	<b>SQ</b> Square	<b>WH</b> White thermoplastic housing <b>BLK*</b> Black thermoplastic housing  * Any finish color other than White is a custom color with associated adder cost and lead time	<b>RG</b> Red & Green LED letters (bi-color, field selectable)

**IMPORTANT: THE BATTERY MUST BE RECHARGED EVERY SIX (6) MONTHS. IF NOT RECHARGED ACCORDINGLY, BATTERY MAY FAIL AND VOID WARRANTY**

Specifications and Dimensions subject to change without notice.



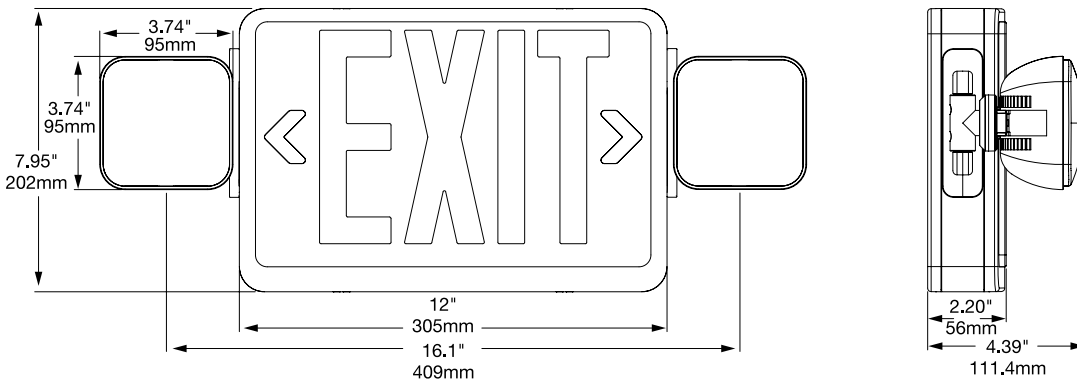


**PERFORMANCE SUMMARY**

<b>Input Voltage</b>	120V/277V	<b>Charging Time</b>	24 Hours
<b>Input Wattage</b>	3.5W	<b>Emergency Run Time</b>	90 Minutes
<b>LED Type</b>	2x12pcs 2835 SMD LED lamp	<b>Operating Temp.</b>	0° to 40°C
<b>Battery</b>	3.6V 1200mAh NiMH battery		

**PRODUCT DIMENSIONS**

Master Carton Qty.: 6



\*Letters 6" high with 3/4" stroke, with 100 ft. viewing distance rating, based upon UL924 standards

Specifications and Dimensions subject to change without notice.

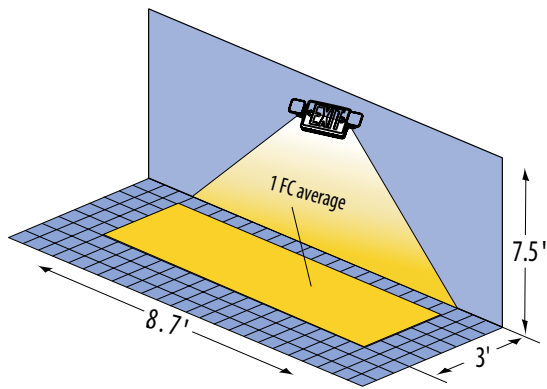


SPACING GUIDELINES

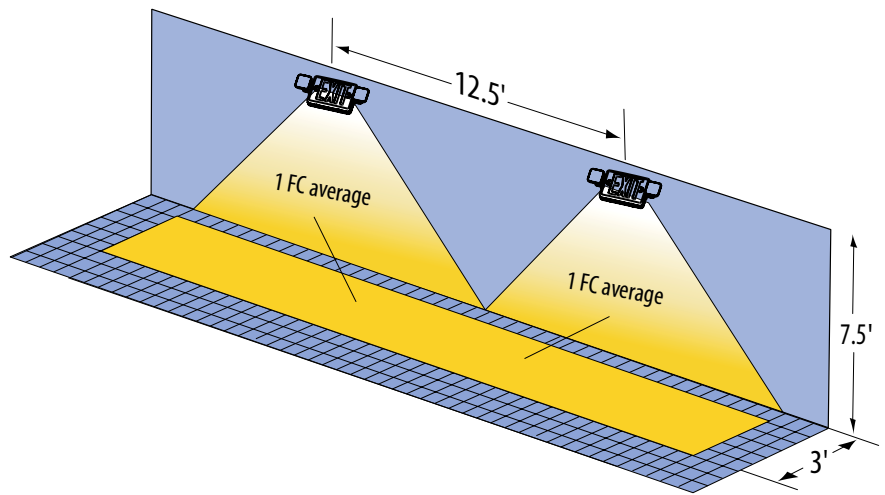
Mounting Height	Illumination Level	Single Luminaire		Multiple Luminaires	
		3' Path of Egress	6' Path of Egress	3' Path of Egress	6' Path of Egress
7.5'	1FC Avg	8.7'	8.2'	12.5'	12.5'
10'	1FC Avg	6.4'	6.4'	12.5'	12.5'

APPLICATION NOTE: 100' Corridor, 8' wide and 9' high with 70/50/20 reflectances  
 NOTE: Also meets the additional lamination requirements of NFPA 101: 1FC minimum and max/min ratio of 40:1.

Single luminaire illuminating 3' path of egress



Multiple luminaires illuminating 3' path of egress



ELECTRICAL OPERATION

- **Charge Mode** - Under normal AC power, the unit operates in trickle-charge mode at 3.5W input across the 120V/277V dual range. Current-limiting charger circuitry regulates charge voltage to prevent overcharge and extend battery service life. Full recharge from a 90-minute discharge completes within 24 hours.
- **Emergency Transfer** - On loss of AC power, the unit automatically transfers to emergency mode and energizes both LED heads from the 3.6V 1200mAh NiMH battery. Rated emergency runtime is a minimum of 90 minutes at full lumen output. On restoration of AC power, the unit returns to charge mode without manual reset.
- **Test and Status Indication** - A push-to-test switch on the housing manually simulates AC loss for periodic compliance verification. LED status indicator denotes AC present and battery charging
- **Periodic Testing** - NFPA 101 Life Safety Code requires a 30-second functional test monthly and a 90-minute discharge test annually.