



EMC ECO™ Series

Compact Emergency Combo Exit Sign

DESCRIPTION

The Aleo EMC™ ECO Series combines exit signage and emergency illumination in one compact, low-profile unit for commercial spaces. Field-selectable red or green LED letters mean a single SKU covers either code requirement, and two adjustable 1W LED lamp heads deliver path-of-egress lighting when power is lost. The flame-retardant, high-impact thermoplastic housing is damp-location listed, and a universal 120V-277V input with universal J-box mounting pattern allows fast wall or ceiling installation.

APPLICATIONS

Code-required emergency egress lighting and exit identification per NFPA 101 Life Safety Code. Ideal for hallways, stairwells, offices, schools, retail, healthcare, multifamily, and similar commercial interiors — including damp locations such as covered walkways and parking structures.

SPECIFICATION FEATURES

- **CONSTRUCTION**
Injection molded, flame retardant, high impact, thermoplastic housing.
- **OPTICAL SYSTEM**
Two (2) 1W LED lamp heads for emergency mode.
- **CERTIFICATION**
UL Listed to UL924 Emergency Lighting and Power Equipment and CSA C22.2 No. 141 Unit Equipment for Emergency Lighting. Damp location listed. Meets NFPA 101 (current Life Safety Code), FCC Title 47, Part 15, Subpart B. RoHS compliant.
- **ELECTRICAL**
Product features universal voltage (120-277V) input for convenient installation. Emergency unit provided with test switch, status indicator and rechargeable battery.
- **VISIBILITY**
Field-selectable bi-color red/green letters, 6" high with 3/4" stroke; 100 ft. viewing distance per UL924.
- **INSTALLATION / MOUNTING**
Product comes standard with mounting plate for quick and easy installation. Suitable for wall mount or ceiling applications. Universal J-box mounting pattern.
- **EMERGENCY OPERATION**
Built-in 3.6V 1000mAh NiMH battery for minimum 90 minutes emergency operation. Maximum recharge time is 24 hours. Includes test switch and charge indicator.
- **WARRANTY**
5-year limited warranty. See warranty documentation for more information.

ORDERING INFORMATION

EXAMPLE: EMC-R-WH-RG ECO

EMC	R	WH	RG	ECO
Series	Head Shape	Housing Color	LED Letter Color	Variant
EMC Emergency Light, 2-Light dual-head	R Round	WH White thermoplastic housing	RG Red & Green LED letters (bi-color, field selectable)	ECO Compact Contemporary Design

IMPORTANT: THE BATTERY MUST BE RECHARGED EVERY SIX (6) MONTHS. IF NOT RECHARGED ACCORDINGLY, BATTERY MAY FAIL AND VOID WARRANTY

Specifications and Dimensions subject to change without notice.

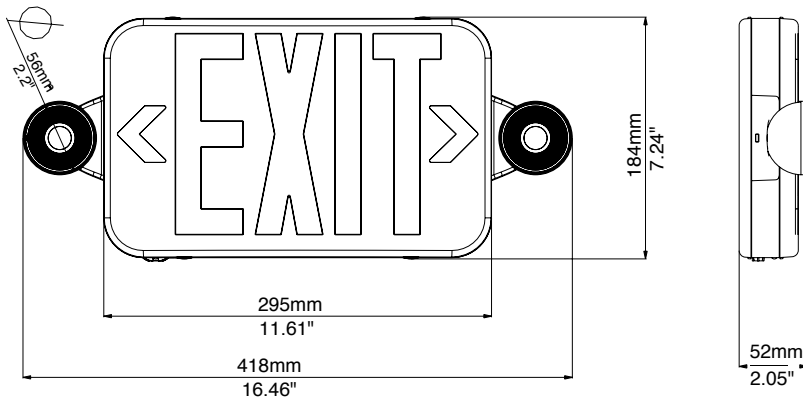


PERFORMANCE SUMMARY

Input Voltage	120V/277V	Charging Time	24 Hours
Input Wattage	2.0W	Emergency Run Time	90 Minutes
LED Type	6 Red LEDs+ 6 Green LEDs + 2 lamp heads	Operating Temp.	0° to 40°C
Battery	3.6V 1000mAh NiMH battery		

PRODUCT DIMENSIONS

Master Carton Qty.: 6



Specifications and Dimensions subject to change without notice.

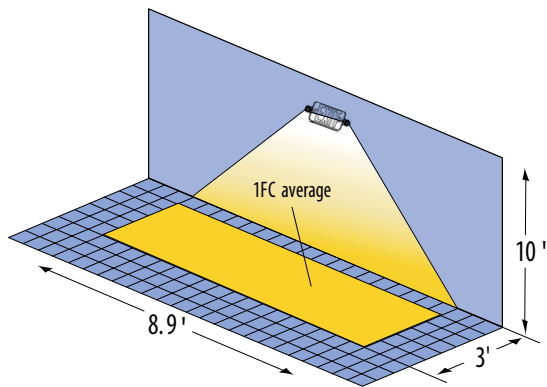


SPACING GUIDELINES

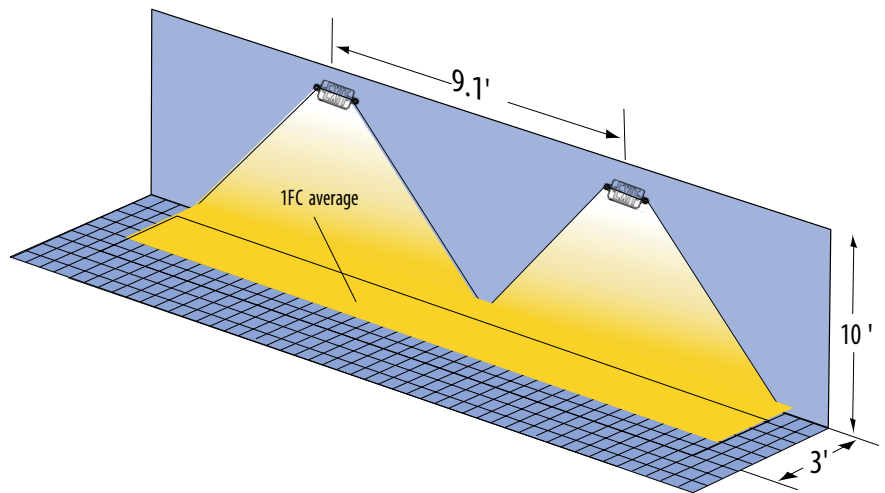
Mounting Height	Illumination Level	Single Luminaire		Multiple Luminaires	
		3' Path of Egress	6' Path of Egress	3' Path of Egress	6' Path of Egress
7.5'	1FC Avg	7.6'	N/A	N/A	N/A
10'	1FC Avg	8.9'	N/A	9.1'	N/A

APPLICATION NOTE: 100' Corridor, 8' wide and 9' high with 70/50/20 reflectances
 NOTE: Also meets the additional lamination requirements of NFPA 101: 1FC minimum and max/min ratio of 40:1.

Single luminaire illuminating 3' path of egress



Multiple luminaires illuminating 3' path of egress



ELECTRICAL OPERATION

- **Charge Mode** - Under normal AC power, the unit operates in trickle-charge mode at 2.0W input across the 120V–277V universal range. Current-limiting charger circuitry regulates charge voltage to prevent overcharge and extend battery service life. Full recharge from a 90-minute discharge completes within 24 hours.
- **Emergency Transfer** - On loss of AC power, the unit automatically transfers to emergency mode and energizes both LED heads from the 3.6V 1000mAh NiMH battery. Rated emergency runtime is a minimum of 90 minutes at full lumen output. On restoration of AC power, the unit returns to charge mode without manual reset.
- **Test and Status Indication** - A push-to-test switch on the housing manually simulates AC loss for periodic compliance verification. LED status indicator denotes AC present and battery charging
- **Periodic Testing** - NFPA 101 Life Safety Code requires a 30-second functional test monthly and a 90-minute discharge test annually.