



EML WL™ Series

Wet Location Emergency Light - Dual Head (Round)

DESCRIPTION

The Aleo EML™ Series Emergency Light – Dual Head (Round) delivers reliable emergency illumination with energy-efficient LED performance and a durable wet-location design. Two 12-piece 2835 LED lamp heads provide more than 400 lumens of emergency output, while the thermoplastic ABS housing and polycarbonate cover feature a UL 94V-0 flame rating. Dual 120V/277V input and included mounting plate support quick wall or ceiling installation. A built-in NiCad battery provides a minimum of 90 minutes of emergency operation. UL924 and CSA Listed for wet locations.

APPLICATIONS

Path-of-egress illumination for code-required emergency lighting per NFPA 101 Life Safety Code. Suitable for parking garages, exterior walkways, covered loading areas, stairwells, warehouses, utility rooms, industrial facilities, and other wet location emergency egress applications. Ideal for indoor or outdoor wall and ceiling mount installations exposed to moisture or humidity.

SPECIFICATION FEATURES

- CONSTRUCTION**
 Durable injection-molded thermoplastic ABS housing and polycarbonate cover with UL 94V-0 flame rating.
- OPTICAL SYSTEM**
 Two (2) 12pcs 2835 0.5W LED lamp heads for emergency mode provide more than 400Lm output.
- CERTIFICATION**
 UL Listed to UL924 Emergency Lighting and Power Equipment and CSA C22.2 No. 141 Unit Equipment for Emergency Lighting. Wet location listed. Meets NFPA 101 (current Life Safety Code), FCC Title 47, Part 15, Subpart B. RoHS compliant.
- ELECTRICAL**
 Product features 120V or 277V input for convenient installation. Emergency unit provided with test switch, status indicator and rechargeable battery.
- INSTALLATION / MOUNTING**
 Product comes standard with mounting plate for quick and easy installation. Suitable for wall mount or ceiling applications. Universal J-box mounting pattern.
- EMERGENCY OPERATION**
 Built-in 3.6V 2000mAh NiCad battery for minimum 90 minutes emergency operation. Maximum recharge time is 24 hours. Includes test switch and charge indicator.
- WARRANTY**
 5-year limited warranty. See warranty documentation for more information.

ORDERING INFORMATION

EXAMPLE: EM2L-WL-R-WH

EM2L	WL	R	WH
Series	Wet Location	Head Shape	Housing Color
EM2L Emergency Light, 2-Light dual-head	WL Wet Location Rated	R Round	WH White thermoplastic housing BLK* Black thermoplastic housing GRY* Gray thermoplastic housing <small>* Any finish color other than White is a custom color with associated adder cost and lead time</small>

IMPORTANT: THE BATTERY MUST BE RECHARGED EVERY SIX (6) MONTHS. IF NOT RECHARGED ACCORDINGLY, BATTERY MAY FAIL AND VOID WARRANTY

Specifications and Dimensions subject to change without notice.



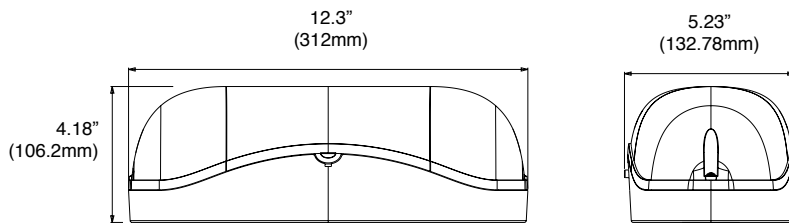


PERFORMANCE SUMMARY

Input Voltage	120V/277V	Charging Time	24 Hours
Input Current	0.025/0.010A	Emergency Run Time	90 Minutes
Input Wattage	2.4W	Operating Temp.	0° to 40°C
LED Type	2x12pcs 2835 SMD LED Chip	Lumen Output	> 400lm
Battery	3.6V 2000mAh NiCad battery	Material	ABS Plastic, Polycarbonate

PRODUCT DIMENSIONS

Master Carton Qty.: 6



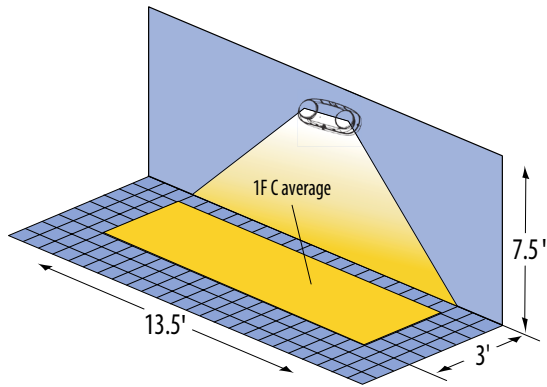
Specifications and Dimensions subject to change without notice.

SPACING GUIDELINES

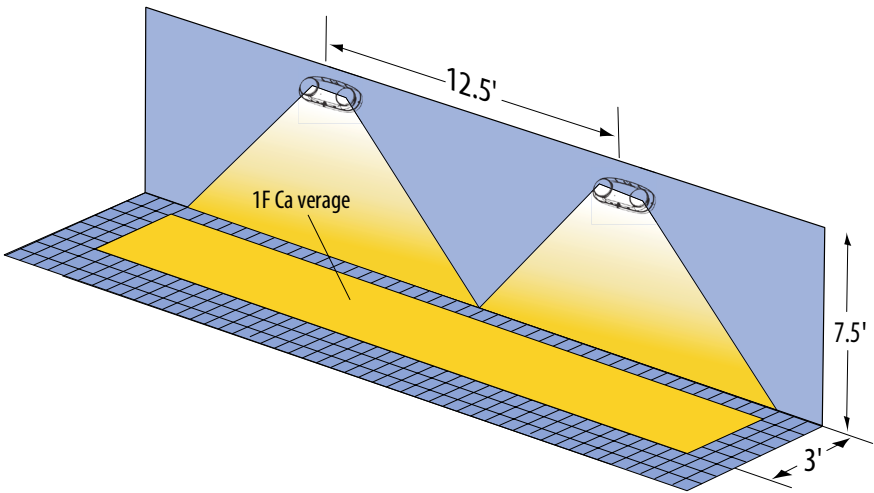
Mounting Height	Illumination Level	Single Luminaire		Multiple Luminaires	
		3' Path of Egress	6' Path of Egress	3' Path of Egress	6' Path of Egress
7.5'	1FC Avg	13.5'	12.1'	12.5'	12.5'
10'	1FC Avg	14.8'	13.5'	14.1'	14.1'

APPLICATION NOTE: 100' Corridor, 8' wide and 9' high with 70/50/20 reflectances
 NOTE: Also meets the additional lamination requirements of NFPA 101: 1FC minimum and max/min ratio of 40:1.

Single luminaire illuminating 3' path of egress



Multiple luminaires illuminating 3' path of egress



ELECTRICAL OPERATION

- **Charge Mode** - Under normal AC power, the unit operates in trickle-charge mode at 2.4W input across the 120V–277V universal range. Current-limiting charger circuitry regulates charge voltage to prevent overcharge and extend battery service life. Full recharge from a 90-minute discharge completes within 24 hours.
- **Emergency Transfer** - On loss of AC power, the unit automatically transfers to emergency mode and energizes both LED heads from the 3.6V 2000mAh NiCad battery. Rated emergency runtime is a minimum of 90 minutes at full lumen output. On restoration of AC power, the unit returns to charge mode without manual reset.
- **Test and Status Indication** - A push-to-test switch on the housing manually simulates AC loss for periodic compliance verification. LED status indicator denotes AC present and battery charging
- **Periodic Testing** - NFPA 101 Life Safety Code requires a 30-second functional test monthly and a 90-minute discharge test annually.