



EML SQ™ Series

Compact Emergency Light - Dual Head (Square)

DESCRIPTION

The Aleo EML™ Series Emergency Light – Dual Head (Square) combines reliable emergency illumination, energy-efficient LED performance, and a durable thermoplastic ABS housing for commercial indoor applications. Two 12-piece 2835 SMD LED lamp heads provide dependable emergency lighting, while universal voltage (120-277V) input supports flexible installation. The included mounting plate and universal J-box mounting pattern allow for quick wall mounting. A built-in 3.6V 1000mAh NiCad battery delivers a minimum of 90 minutes of emergency operation and includes a test switch and status indicator for easy maintenance.

APPLICATIONS

Path-of-egress illumination for code-required emergency lighting per NFPA 101 Life Safety Code. Suitable for corridors, stairwells, hallways, offices, schools, retail spaces, and healthcare facilities at lower mounting heights. Indoor damp-location listed only.

SPECIFICATION FEATURES

- **CONSTRUCTION**
Durable injection-molded thermoplastic ABS housing with UL 94V-0 flame rating.
- **OPTICAL SYSTEM**
Two (2) 12pc 2835 SMD LED lamp heads for emergency mode.
- **CERTIFICATION**
UL Listed to UL924 Emergency Lighting and Power Equipment and CSA C22.2 No. 141 Unit Equipment for Emergency Lighting. Damp location listed. Meets NFPA 101 (current Life Safety Code), FCC Title 47, Part 15, Subpart B. RoHS compliant.
- **ELECTRICAL**
Product features universal voltage (120-277V) input for convenient installation. Emergency unit provided with test switch, status indicator and rechargeable battery.
- **INSTALLATION / MOUNTING**
Product comes standard with mounting plate for quick and easy installation. Suitable for wall mount applications. Universal J-box mounting pattern.
- **EMERGENCY OPERATION**
Built-in 3.6V 1000mAh NiCad battery for minimum 90 minutes emergency operation. Maximum recharge time is 24 hours. Includes test switch and charge indicator.
- **WARRANTY**
5-year limited warranty. See warranty documentation for more information.

ORDERING INFORMATION

EXAMPLE: EM2L-SQ-WH

EM2L	SQ	WH
Series	Head Shape	Housing Color
EM2L Emergency Light, 2-Light dual-head	SQ Square	WH White thermoplastic housing BLK* Black thermoplastic housing <small>* Any finish color other than White is a custom color with associated adder cost and lead time</small>

IMPORTANT: THE BATTERY MUST BE RECHARGED EVERY SIX (6) MONTHS. IF NOT RECHARGED ACCORDINGLY, BATTERY MAY FAIL AND VOID WARRANTY

Specifications and Dimensions subject to change without notice.

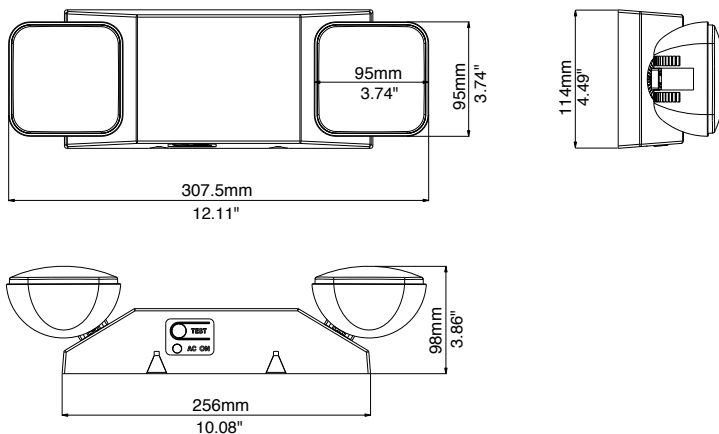


PERFORMANCE SUMMARY

Input Voltage	120V-277V	Charging Time	24 Hours
Input Wattage	1.5W	Emergency Run Time	90 Minutes
LED Type	2x12pcs 2835 SMD LED	Operating Temp.	0° to 40°C
Battery	Built-in 3.6V 1000mAh NiCad Battery	Material	ABS Plastic

PRODUCT DIMENSIONS

Master Carton Qty.: 6



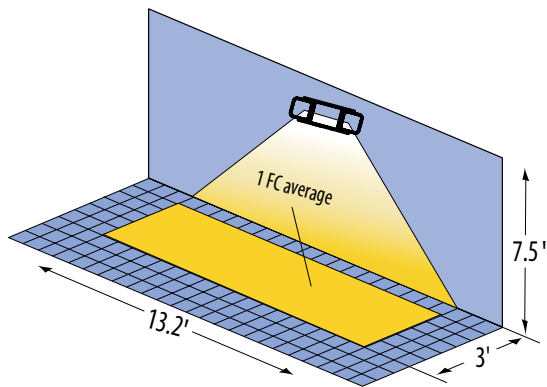
Specifications and Dimensions subject to change without notice.

SPACING GUIDELINES

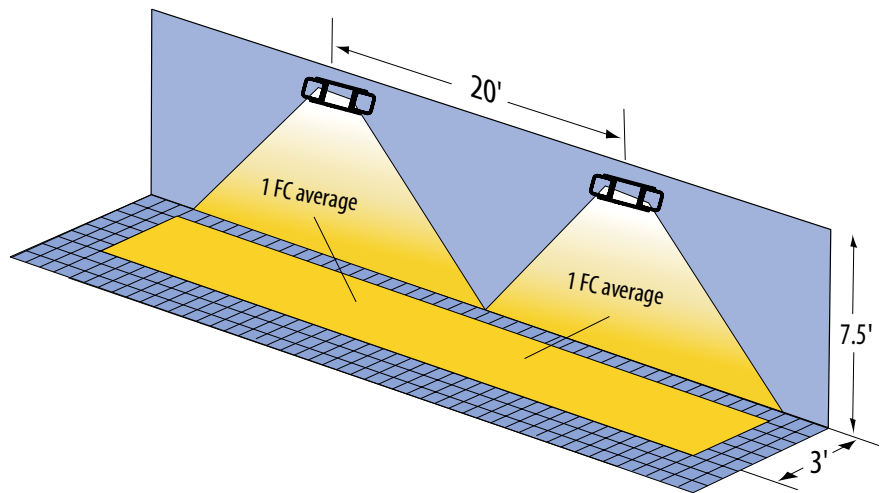
Mounting Height	Illumination Level	Single Luminaire		Multiple Luminaires	
		3' Path of Egress	6' Path of Egress	3' Path of Egress	6' Path of Egress
7.5'	1FC Avg	13.2'	12.3'	20.0'	20.0'
10'	1FC Avg	10.1'	9.7'	14.3'	14.3'

APPLICATION NOTE: 100' Corridor, 8' wide and 9' high with 70/50/20 reflectances
 NOTE: Also meets the additional lamination requirements of NFPA 101: 1FC minimum and max/min ratio of 40:1.

Single luminaire illuminating 3' path of egress



Multiple luminaires illuminating 3' path of egress



ELECTRICAL OPERATION

- **Charge Mode** - Under normal AC power, the unit operates in trickle-charge mode at 1.5W input across the 120V–277V universal range. Current-limiting charger circuitry regulates charge voltage to prevent overcharge and extend battery service life. Full recharge from a 90-minute discharge completes within 24 hours.
- **Emergency Transfer** - On loss of AC power, the unit automatically transfers to emergency mode and energizes both LED heads from the integral 3.6V 1000mAh NiCad battery. Rated emergency runtime is a minimum of 90 minutes at full lumen output. On restoration of AC power, the unit returns to charge mode without manual reset.
- **Test and Status Indication** - A push-to-test switch on the housing manually simulates AC loss for periodic compliance verification. LED status indicator denotes AC present and battery charging
- **Periodic Testing** - NFPA 101 Life Safety Code requires a 30-second functional test monthly and a 90-minute discharge test annually.