



EML HO™ Series

High Output Emergency Light - Dual Head (Round)

DESCRIPTION

The Aleo EML™ Series Emergency Light – Dual Head (Round) delivers dependable emergency illumination with energy-efficient LED performance and a compact, low-profile design. Two (2) 10-piece LED lamp heads provide more than 1200 lumens of illumination in emergency mode, while the built-in 6V 4.5AH lead acid battery delivers a minimum of 90 minutes of emergency operation. Universal voltage (120-277V) and included mounting plate allow for quick and easy installation.

APPLICATIONS

Suitable for corridors, stairwells, hallways, offices, schools, retail spaces, and healthcare facilities at lower mounting heights.

SPECIFICATION FEATURES

- CONSTRUCTION**
 Durable injection-molded thermoplastic ABS housing with UL 94V-0 flame rating.
- OPTICAL SYSTEM**
 Two (2) 10-piece LED lamp heads provide more than 1200 lumens of illumination in emergency mode
- CERTIFICATION**
 UL Listed to UL924 Emergency Lighting and Power Equipment and CSA C22.2 No. 141 Unit Equipment for Emergency Lighting. Damp location listed. Meets NFPA 101 (current Life Safety Code), FCC Title 47, Part 15, Subpart B. RoHS compliant.
- ELECTRICAL**
 Product features universal voltage (120-277V) input for convenient installation. Emergency unit provided with test switch, status indicator and rechargeable battery.
- INSTALLATION / MOUNTING**
 Product comes standard with mounting plate for quick and easy installation. Suitable for wall mount applications. Universal J-box mounting pattern.
- EMERGENCY OPERATION**
 Built-in 6V 4.5AH lead acid battery provides a minimum of 90 minutes of emergency operation with over 1200 lumens of illumination. Maximum recharge time is 24 hours. Includes test switch and charge indicator.
- WARRANTY**
 5-year limited warranty. See warranty documentation for more information.

ORDERING INFORMATION

EXAMPLE: EM2L-R-WH HO

| EM2L | R | WH | HO |
|---|-------------------|---|--------------------------|
| Series | Head Shape | Housing Color | Variant |
| EM2L Emergency Light, 2-Light dual-head | R Round | WH White thermoplastic housing BLK* Black thermoplastic housing <small>* Any finish color other than White is a custom color with associated adder cost and lead time</small> | HO High Output |

IMPORTANT: THE BATTERY MUST BE RECHARGED EVERY SIX (6) MONTHS. IF NOT RECHARGED ACCORDINGLY, BATTERY MAY FAIL AND VOID WARRANTY

Specifications and Dimensions subject to change without notice.



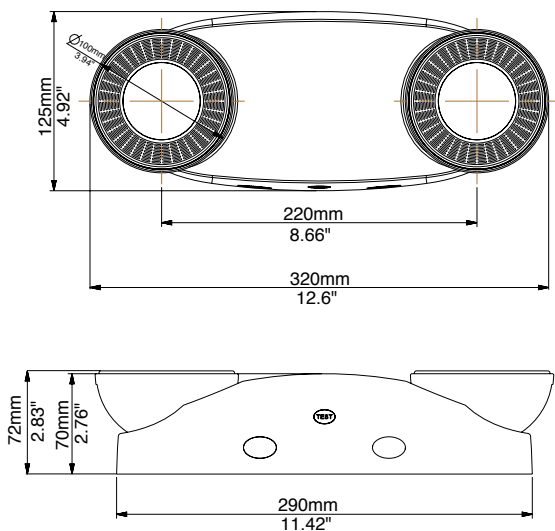


PERFORMANCE SUMMARY

| | | | |
|----------------------|-------------------------------------|---------------------------|-------------|
| Input Voltage | 120V-277V | Emergency Run Time | 90 Minutes |
| Input Current | 0.054-0.036A | Operating Temp. | 0° to 40°C |
| Input Wattage | 3.28-4.14W | Lumen Output | > 1200lm |
| LED Type | 20x1W LEDs | Material | ABS Plastic |
| Battery | Built-in 6V 4.5AH Lead Acid battery | | |
| Charging Time | 24 Hours | | |

PRODUCT DIMENSIONS

Master Carton Qty.: 6



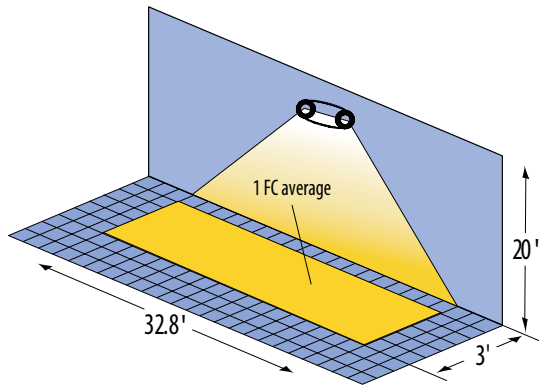
Specifications and Dimensions subject to change without notice.

SPACING GUIDELINES

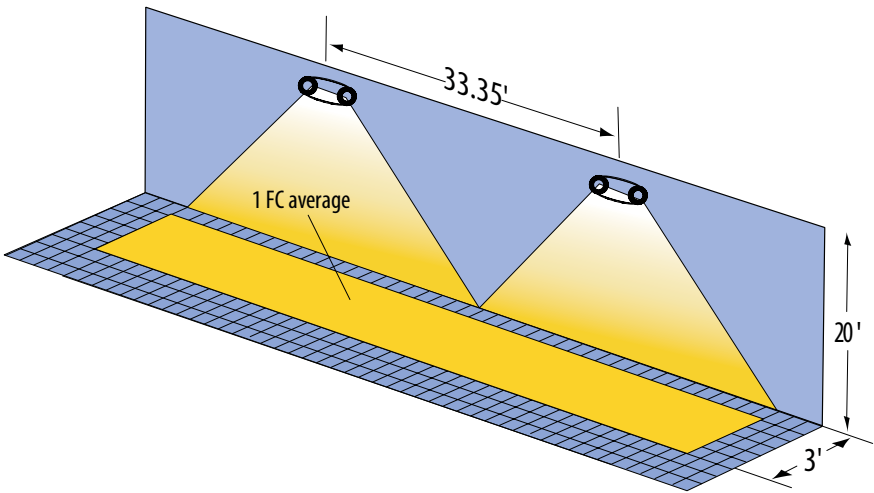
| Mounting Height | Illumination Level | Single Luminaire | | Multiple Luminaires | |
|-----------------|--------------------|-------------------|-------------------|---------------------|-------------------|
| | | 3' Path of Egress | 6' Path of Egress | 3' Path of Egress | 6' Path of Egress |
| 15' | 1FC Avg | 29.2' | 29.2' | 25' | 25' |
| 20' | 1FC Avg | 32.8' | 32.8' | 33.35' | 33.35' |

APPLICATION NOTE: 100' Corridor, 8' wide and 9' high with 70/50/20 reflectances
 NOTE: Also meets the additional lamination requirements of NFPA 101: 1FC minimum and max/min ratio of 40:1.

Single luminaire illuminating 3' path of egress



Multiple luminaires illuminating 3' path of egress



ELECTRICAL OPERATION

- **Charge Mode** - Under normal AC power, the unit operates in trickle-charge mode at 3.28-4.14W input across the 120V–277V universal range. Current-limiting charger circuitry regulates charge voltage to prevent overcharge and extend battery service life. Full recharge from a 90-minute discharge completes within 24 hours.
- **Emergency Transfer** - On loss of AC power, the unit automatically transfers to emergency mode and energizes both LED heads from the integral 6V 4.5AH lead acid battery. Rated emergency runtime is a minimum of 90 minutes at full lumen output. On restoration of AC power, the unit returns to charge mode without manual reset.
- **Test and Status Indication** - A push-to-test switch on the housing manually simulates AC loss for periodic compliance verification. LED status indicator denotes AC present and battery charging
- **Periodic Testing** - NFPA 101 Life Safety Code requires a 30-second functional test monthly and a 90-minute discharge test annually.