

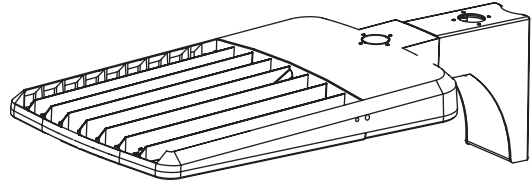
ALX™ Series

LED Area Luminaire

Includes: ALX-150UX, ALX-300UX



INSTALLATION INSTRUCTIONS



READ AND FOLLOW ALL SAFETY INSTRUCTIONS

WARNING

FAILURE TO FOLLOW THESE INSTRUCTIONS AND WARNINGS MAY RESULT IN SERIOUS INJURY OR DAMAGE TO PROPERTY

For your safety, thoroughly read these instructions and warnings in its entirety prior to installing or servicing this product. These instructions do not attempt to cover all installation and maintenance circumstances. If you do not understand these instructions or if additional information is needed, please contact Aleo Lighting customer service.

WARNING

RISK OF FIRE OR ELECTRIC SHOCK

This product must be installed and serviced by a professional electrician in accordance with applicable federal, state, and local laws, regulations, and electrical code. If not qualified, do not attempt installation of this product. Contact a qualified electrician.

WARNING

RISK OF FIRE, ELECTRIC SHOCK, or PERSONAL INJURY

To avoid risk of electrical shock, turn off power before installing or servicing.

Verify that supply voltage is correct by comparing with the input voltage on the luminaire label

Make all electrical and ground connections in accordance with NEC and any applicable code requirements

WARNING

RISK OF PERSONAL INJURY

To prevent wiring damage or abrasion, do not expose wiring to edges of sheet metal or other sharp objects
Do not make or alter any open holes in any of the enclosures with wiring or electrical components during installation

SAVE THESE INSTRUCTIONS FOR FUTURE REFERENCE

Suitable for Wet Location. This luminaire is NOT meant to be mounted upside down with the lens facing the sky.

WARNING

This luminaire is made for permanent installation in ordinary (non-hazardous) locations in accordance with NEC code and all applicable local and federal codes. Do not use in applications with limited ventilation or high ambient temperature enclosures.

TURN OFF POWER BEFORE INSTALLING

Electrical Connection

1. Connect BLACK (line) driver lead to voltage supply Line position (HOT).
2. Connect driver WHITE lead to the NEUTRAL supply position.
3. Connect the GREEN ground lead to the supply ground lead.

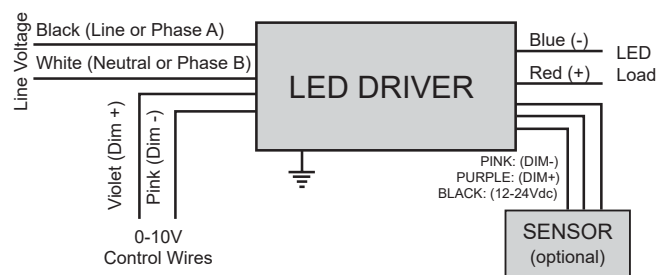
If using 0-10V dimming:

4. Connect VIOLET lead to supply POSITIVE dimming lead.
5. Connect PINK lead to the supply NEGATIVE dimming lead.

If NOT using 0-10V dimming:

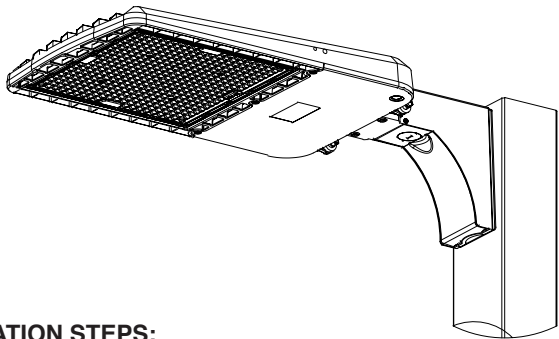
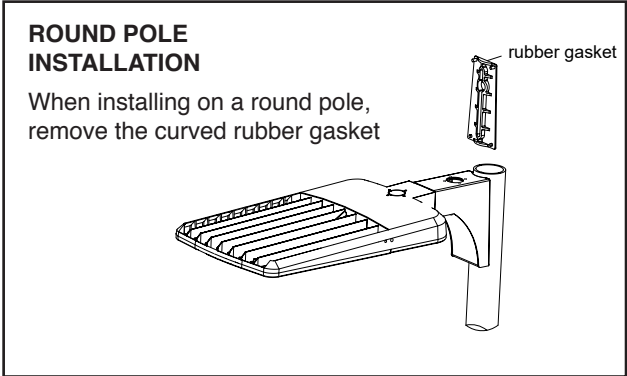
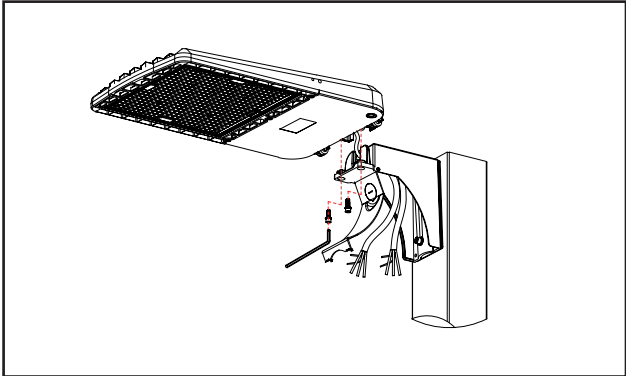
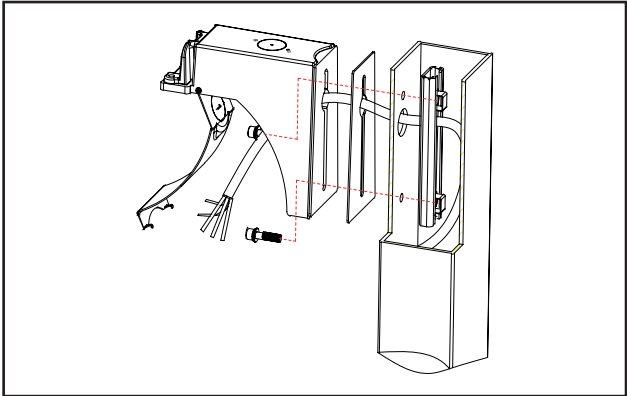
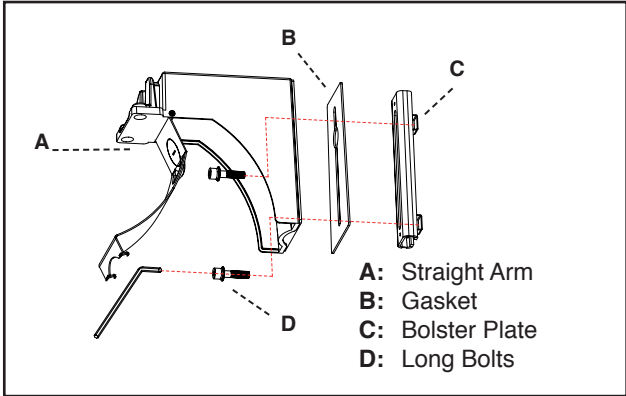
6. Ensure VIOLET and PINK 0-10V dimming leads are properly capped.

Wiring Diagram



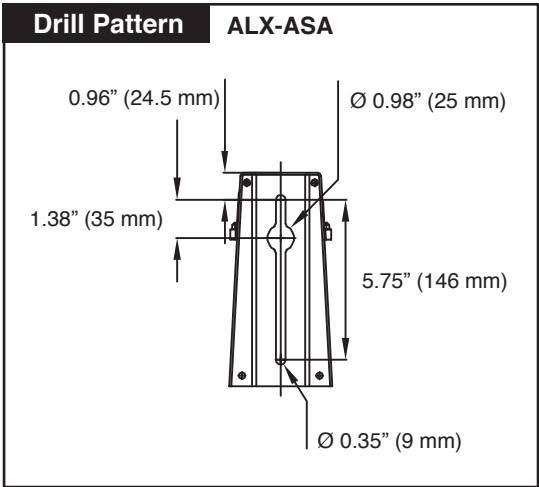
TO INSTALL:

ALX-ASA STRAIGHT ARM POLE MOUNT INSTALLATION



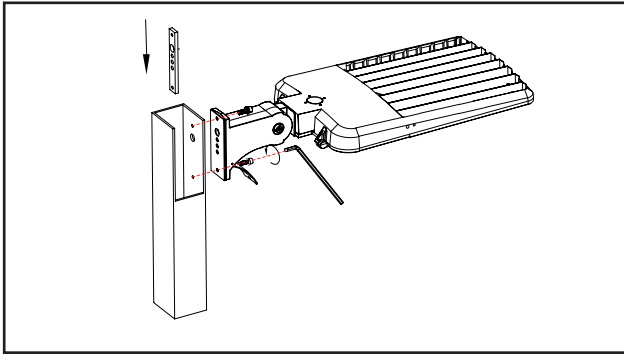
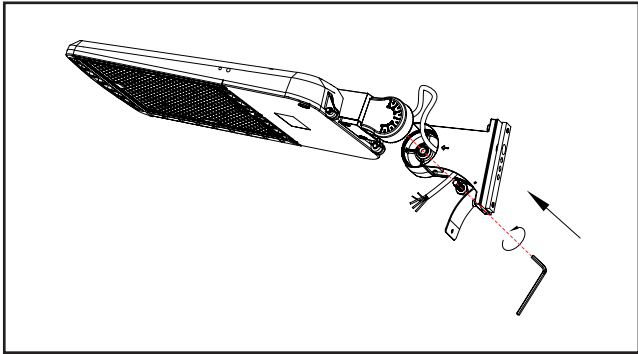
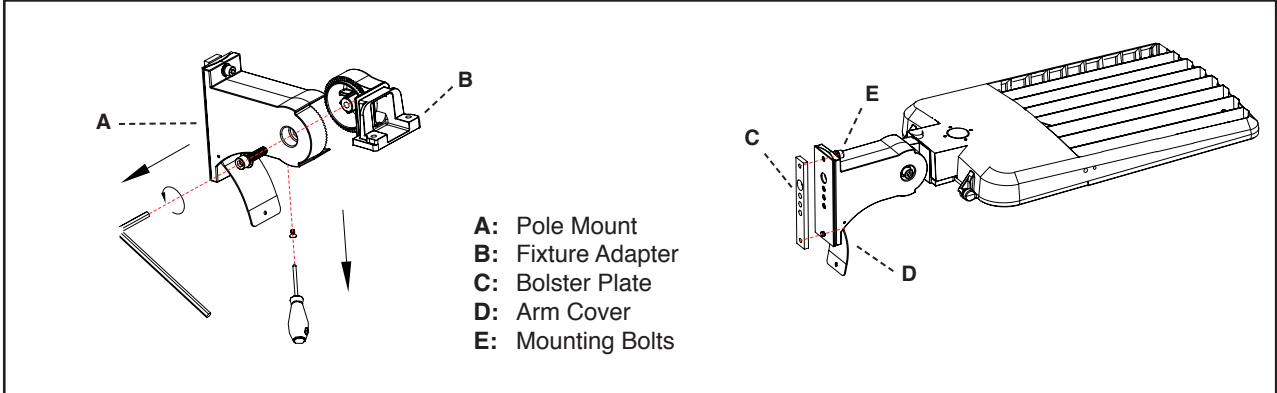
INSTALLATION STEPS:

- Check that the pole is drilled according to Pole Drilling Pattern
1. Unhinge arm cover from Straight Arm (A)
 2. Insert Long Bolts (D) through Arm (A), Gasket (B), and Pole. Thread into the Bolster Plate (C)
 3. Ensure Gasket (B) is positioned between the Arm and Pole. Secure with bolts, washers, and lock washers
 4. Make necessary wiring connections inside Arm. SEE PAGE 1 for Electrical Connection and wiring diagram instructions.
 5. Secure the Arm cover.
 6. Slide Fixture Head onto Straight Arm Mount
 7. Tighten Screws on the bottom of the fixture head and Straight Arm



TO INSTALL:

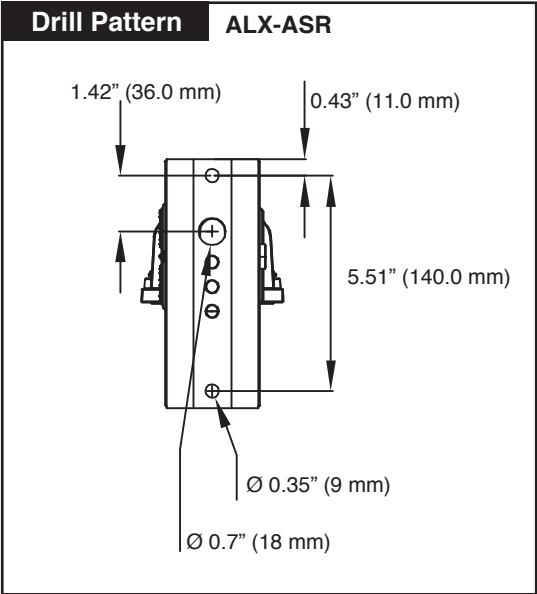
ALX-ASR ROTATABLE ARM POLE MOUNT INSTALLATION



INSTALLATION STEPS:

Check that the pole is drilled according to Pole Drilling Pattern

1. Disassemble the arm with a hex wrench
2. Thread the fixture's AC input wires through the Fixture Adapter (B) part of the arm, engage and mate the arm with the Fixture and tighten the (2) bolts.
3. Remove the screw and open the Arm Cover (D)
4. Ensure Gasket is positioned between the Arm and Pole. Secure with bolts, washers, and lock washers
5. Thread (2) Mounting Bolts (E) through the arm and gasket. Place Bolster Plate (C) inside the pole to engage the Mounting Bolts. (When installing on a round pole, remove the curved rubber gasket)
6. Ensure the Arm is securely mounted to the pole by fastening the Mounting Bolts
7. Make necessary wiring connections. SEE PAGE 1 for Electrical Connection and wiring diagram instructions.
8. Secure the Arm cover.
9. Adjust to the desired angle by loosening the bolt on the rotating knuckle of the Arm

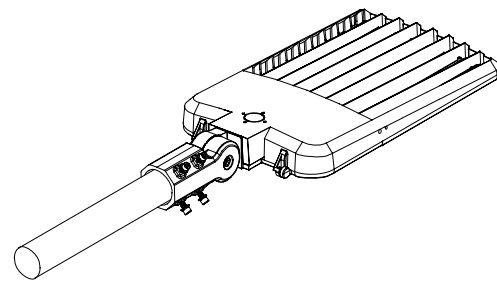
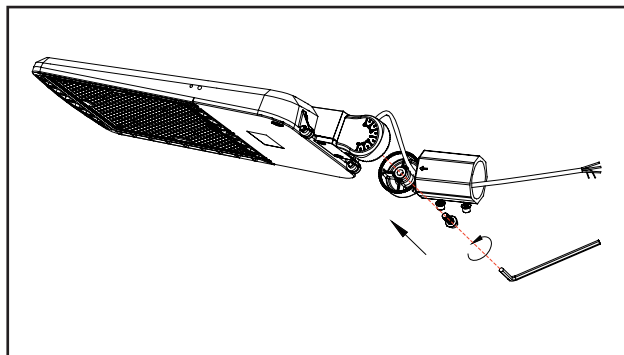
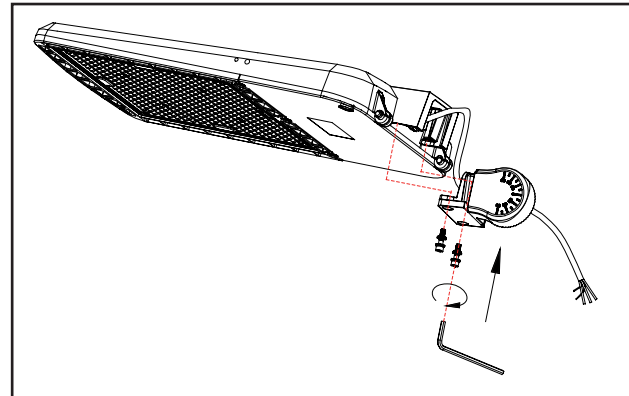
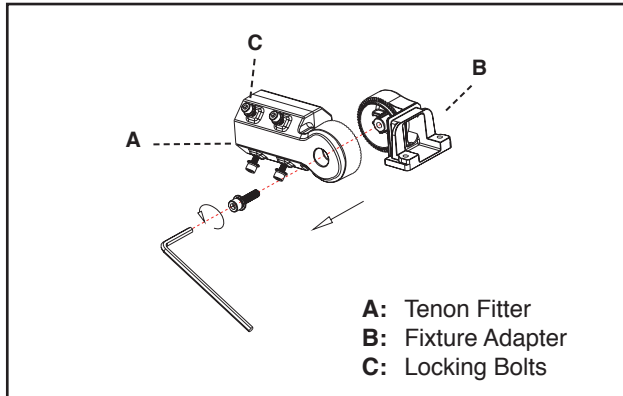


ROUND POLE INSTALLATION

When installing on a round pole, remove the curved rubber gasket

TO INSTALL:

ALX-ASF SLIP FITTER MOUNT INSTALLATION



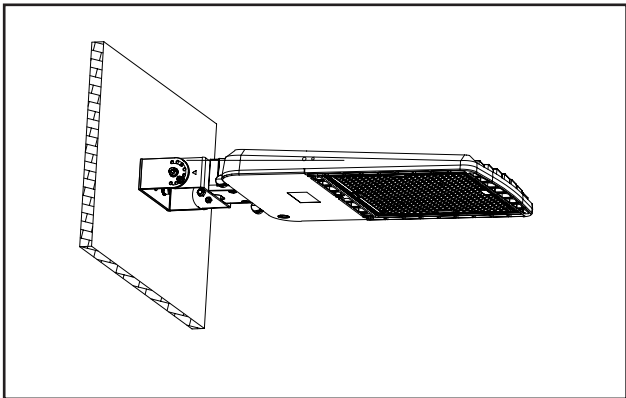
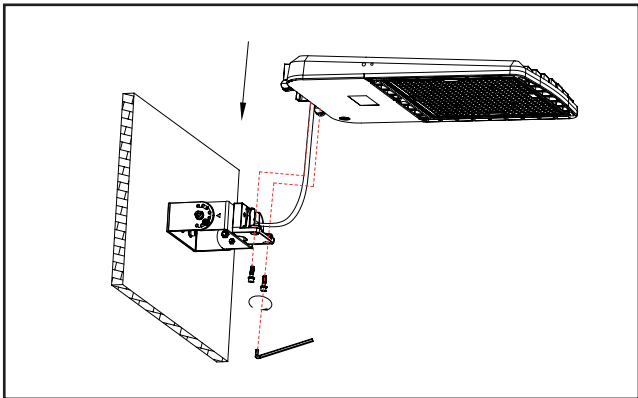
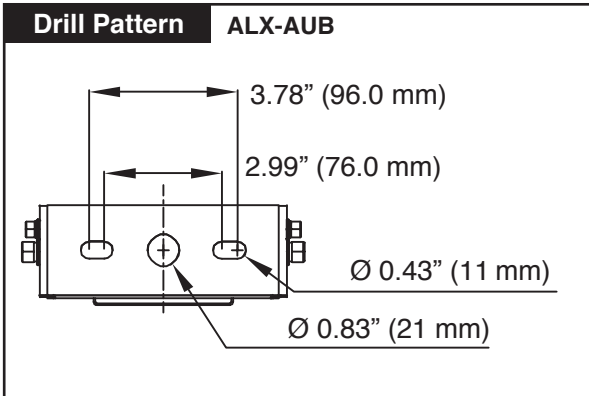
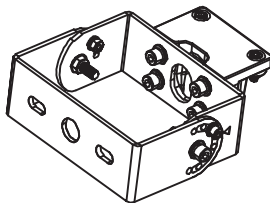
INSTALLATION STEPS:

Slip Fitter Mounting Arm is compatible with Tenons (2.37" max. dia.)

1. Disassemble the Slip Fitter arm with a hex wrench
2. Thread the fixture's AC input wires through the Fixture Adapter (B) part of the slip fitter arm, engage and mate the Slip Fitter with the Fixture and tighten the (2) bolts.
3. Thread the fixtures AC input wires through the Tenon Fitter (B) part of the slip fitter arm
4. Loosen the (4) Locking Bolts (C)
5. Make necessary wiring connections. SEE PAGE 1 for Electrical Connection and wiring diagram instructions.
6. Slip the Slip Fitter over the tenon and tighten the (4) Locking Bolts (C)
7. Adjust to the desired angle by loosening the bolt on the rotating knuckle of the Slip Fitter

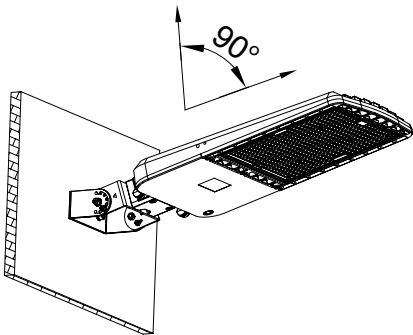
TO INSTALL:

**ALX-AUB ADJUSTABLE TRUNNION MOUNT
INSTALLATION**



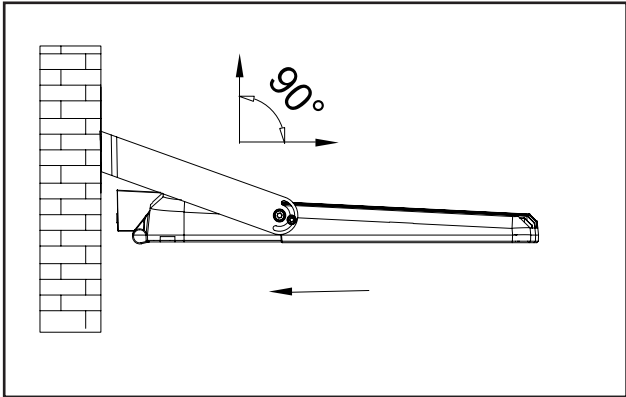
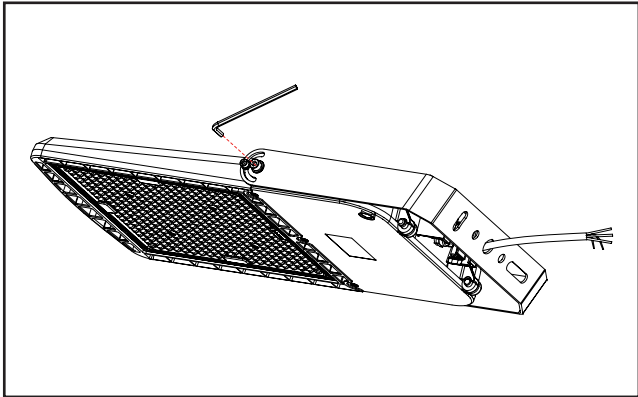
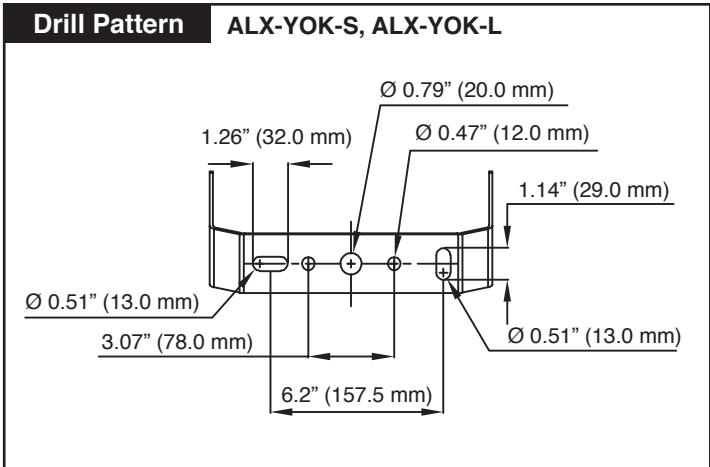
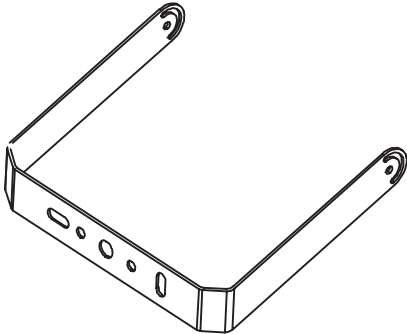
INSTALLATION STEPS:

1. Check that the surface structure is drilled according to Trunion Mount Drilling Pattern, drill a minimum of two (2) holes in the surface where the luminaire is to be mounted.
2. Ensure that the mounting position can safely support the weight of the luminaire. Mount the Trunion Bracket using studs to the surface structure. Make sure that Trunion Bracket is securely attached
3. Feed fixture's AC input wires through the trunion bracket. Make necessary electrical connections. SEE PAGE 1 for Electrical Connection and wiring diagram instructions.
4. Slide Fixture Head onto Trunion Bracket. Tighten 2x screws below the bracket.
5. Adjust angle as needed



TO INSTALL:

ALX-YOK YOKE MOUNT INSTALLATION



INSTALLATION STEPS:

1. Loosen the screws on both sides of the Yoke bracket with a hex wrench and attach it to the side holes of the fixture head, adjust to desired angle and tighten screws.
2. Check that the surface structure is drilled according to Yoke Mount Drilling Pattern.
3. Ensure that the mounting position can safely support the weight of the luminaire. Mount the Yoke Bracket using studs to the surface structure. Make sure that Yoke Bracket is securely attached
4. Make necessary electrical connections. SEE PAGE 1 for Electrical Connection and wiring diagram instructions.
5. Ensure there is proper waterproofing and gasketing in all necessary locations to prevent water and moisture intrusion to the electrical connection and luminaire.
6. Adjust angle as needed

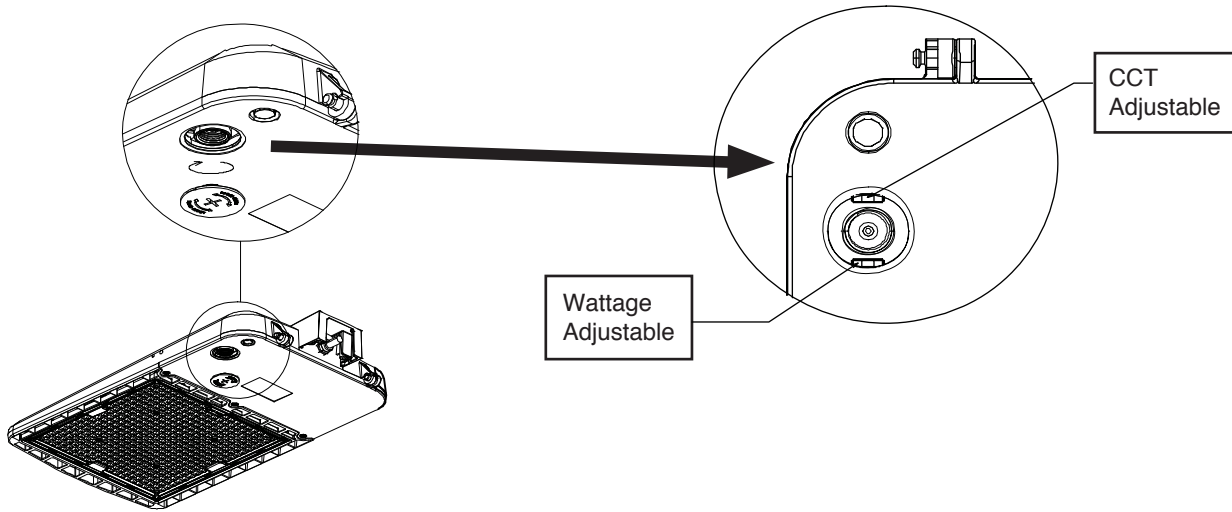


Aleo Lighting, Inc.
 www.aleolighting.com
 10988 Bloomfield Ave.
 Santa Fe Springs, CA 90670
 Ph: 877-358-8825

© 2023 Aleo Lighting, Inc. All rights reserved. For informational purposes only. Reproduction in whole or part is prohibited without prior written consent of the copyright owner. The information presented in this document does not form part of any quotation or contract, is believed to be accurate and reliable and may be changed without notice. No liability will be accepted by the publisher for any consequences of its use.

TO FIELD ADJUST:

WATTAGE & CCT



Aleo Lighting, Inc.
www.aleolighting.com
10988 Bloomfield Ave.
Santa Fe Springs, CA 90670
Ph: 877-358-8825

© 2023 Aleo Lighting, Inc. All rights reserved. For informational purposes only. Reproduction in whole or part is prohibited without prior written consent of the copyright owner. The information presented in this document does not form part of any quotation or contract, is believed to be accurate and reliable and may be changed without notice. No liability will be accepted by the publisher for any consequences of its use.