

ALX™ Series

LED Area Luminaire

DESCRIPTION

The Aleo ALX™ Series combines energy-efficiency, advanced optical control, and modern slim profile aesthetics to deliver enhanced performance to area lighting applications. Rugged die-cast housing provides advanced thermal management for long life and weather-proof compartment to withstand challenging, outdoor environments.

APPLICATIONS

Parking lots, walkways, auto dealerships, outdoor retail shopping centers, recreational spaces, campuses.



Specification Features



ALX™ Series

150W, 300W

Construction

Rugged, die-cast housing with advanced thermal management system ensures reliability and durability. Weather-proof, gasketed driver compartment protects electronics against environmental elements.

Optical System

Precision-formed optical lens system reduces glare and improves safety and security by delivering high-efficiency illumination with precise optical distribution. Type III distribution comes standard. Type II, III, IV and V available.

Certification

UL Listed. All components have UL certification. DLC QPL Premium.

Warranty

7-year Limited Warranty. See warranty documentation for more information.

Electrical

Luminaire utilizes high-efficacy LED packages maintained at cool temperatures for long life, high efficacy. Reliable driver features universal voltage (120-277V) and high voltage (227-480V) for convenient installation.

Installation / Mounting

Luminaire comes standard with universal mounting adapter. Versatile platform includes different mounting options, including: straight arm, trunion, slip-fitter, yoke mount and rotatable pole-mount.

Controls / Dimming

Suitable for use with sensors and photocells to achieve deeper energy-savings and code compliance. Comes standard with receptacle for plug and play occupancy sensor or photocell.

Field Adjustable CCT / Wattage

Increased versatility and reduced inventory burden. Wattage and Color Temp. can be adjusted in the field by selecting (3) different wattages and (3) different CCTs with switch outside the housing.

Rated Life 75,000 hours
Limited Warranty 7-years
Efficacy Up to 160 LPW
Continuous Dimming



Quick Ship

ALX-150UX/CT (SR/RC)
ALX-150UX/CT HV (SR/RC)
ALX-300UX/CT (SR/RC)
ALX-300UX/CT HV (SR/RC)

Ordering Information

Example: ALX-150UX/CT HV (SR/RC)

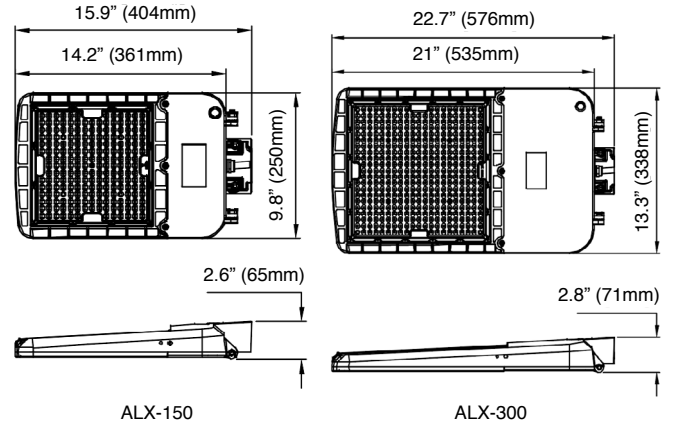
ALX	150	UX	CT	HV	Options	
Series ALX Slim LED Area Luminaire	Nominal Wattage 150 70W/100W/150W 300 200W/250W/300W	Lumen Package UX Field Adjustable Wattage	Color Temp CT Adjustable CCT 3000K/ 4000K/ 5000K	Input Voltage Blank 120V-277V HV 277V-480V	(SR/RC) Sensor Ready w/ Sensor Receptacle	Controls See pg. 6 for details
[Blank]	[Blank]	[Blank]	[Blank]	[Blank]	[Blank]	[Blank]
Distribution Type Blank Type III T4 Type IV T2 Type II T5 Type V	Mounting (Sold Separately) ALX-ASA Straight Arm ALX-ASF Slip Fitter ALX-ASR Rotatable Straight Arm		ALX-AUB Adjustable Trunion ALX-YOK-S Yoke Mount (Small) ALX-YOK-L Yoke Mount (Large)		Finish Color* Blank Dark Bronze RAL#8019	
Any distribution type other than Type III is a custom opt with associated adder cost and lead time				* Contact Factory for additional finish colors. Any finish color other than Dark Bronze is a custom color with associated adder cost and lead time		

Specifications and Dimensions subject to change without notice.

Performance Summary

Input Voltage	120V-277V, 277V-480V
Input Frequency	50/60 Hz
Rated Wattage	See Performance Table
Delivered Lumens	See Performance Table
Efficacy	> 130 LPW (typ.)
CRI	70+
Available CCT	3000K/4000K/5000K
Rated Life	75,000 hours
Power Factor	> 0.9
THD	< 20%
Controls	Plug N Play Sensors
IP Rating	IP65
Operating Temp.	-40°C to 45°C
Surge Protection	10kA

Product Dimensions



Performance Data

Catalog No.	Nominal Wattage (W)	Tested Wattage (W)	3000K		4000K		5000K	
			Delivered Lumens (lm)	Scaled Efficacy (lm/W)	Delivered Lumens (lm)	Scaled Efficacy (lm/W)	Delivered Lumens (lm)	Scaled Efficacy (lm/W)
ALX-150UX/CT (SR/RC)	70	67.4	9,436	140	10,608	157.4	9,887	146.7
	100	96.3	13,347	138.6	15,003	155.8	13,982	145.2
	150	144.5	19,825	137.2	22,296	154.3	20,779	143.8
ALX-150UX/CT HV (SR/RC)	70	66.6	9,410	141.3	10,622	159.5	10,316	154.9
	100	95.2	13,318	139.9	15,032	157.9	14,603	153.4
	150	142.8	19,777	138.5	22,319	156.3	21,691	151.9
ALX-300UX/CT (SR/RC)	200	201.1	27,570	137.1	30,506	151.7	28,355	141
	240	241.3	32,744	135.7	36,243	150.2	33,685	139.6
	300	301.6	40,535	134.4	44,847	148.7	41,681	138.2
ALX-300UX/CT HV (SR/RC)	200	197.1	26,805	136	30,176	153.1	29,742	150.9
	240	236.5	31,856	134.7	35,853	151.6	35,333	149.4
	300	295.6	39,433	133.4	44,369	150.1	43,719	147.9

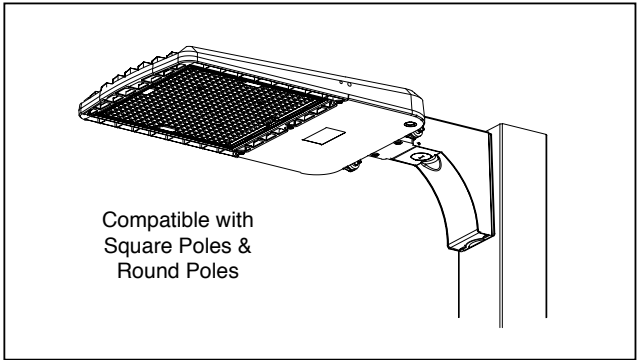
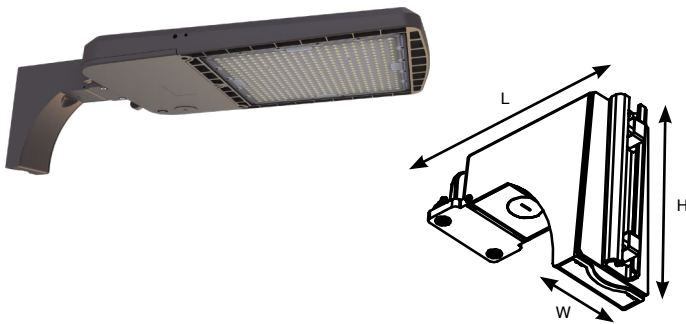


*Sensor placement may vary

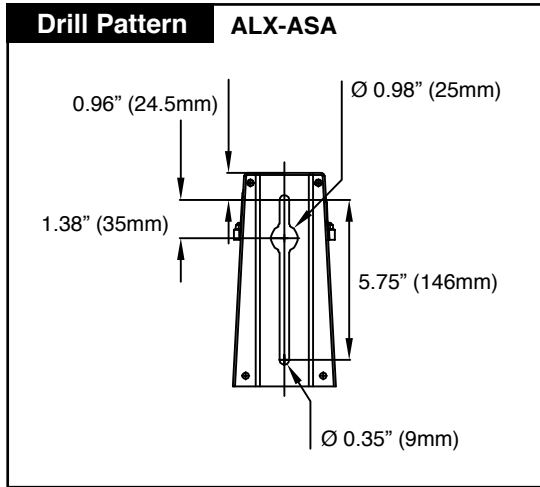
Specifications and Dimensions subject to change without notice.

Mounting Information

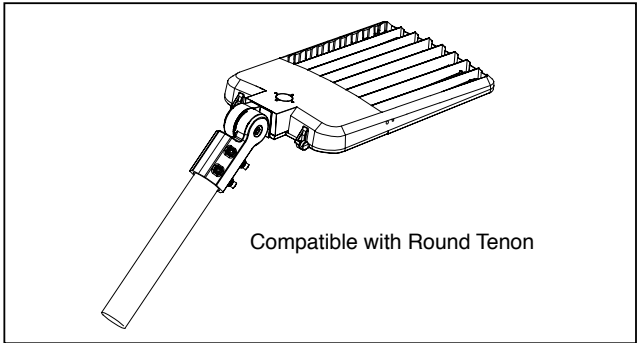
Straight Arm Mount



Catalog No.	L	W	H
ALX-ASA	9.14" (232.1mm)	7.68" (195mm)	3.7" (94mm)



Slip Fitter



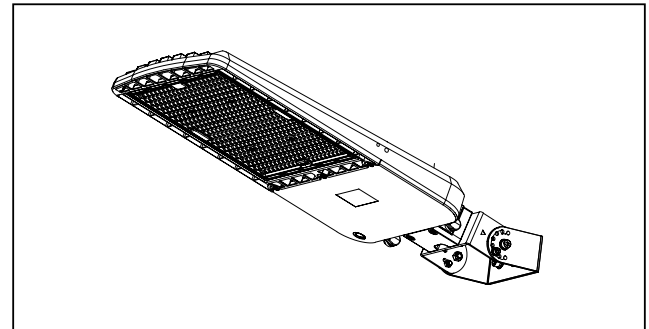
Catalog No.	L	W	H
ALX-ASF	3.07" (78mm)	3.59" (91.2mm)	9.1" (231mm)

Mounting Information

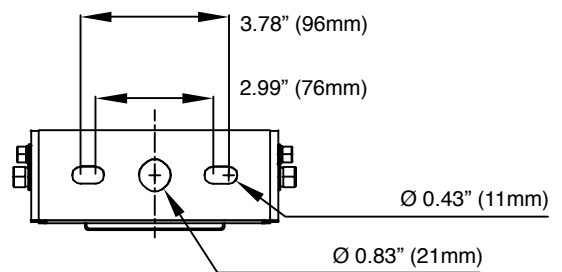
U-Bracket Trunion



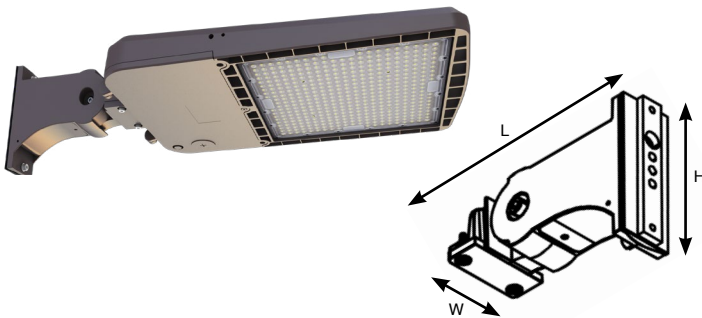
Catalog No.	L	W	H
ALX-AUB	7.36" (186.9mm)	6.3" (160mm)	2.55" (62mm)



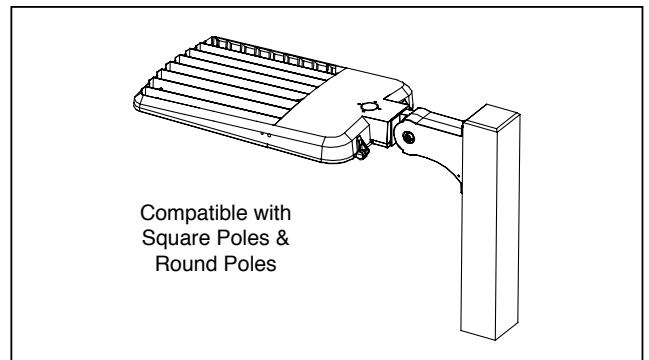
Drill Pattern ALX-AUB



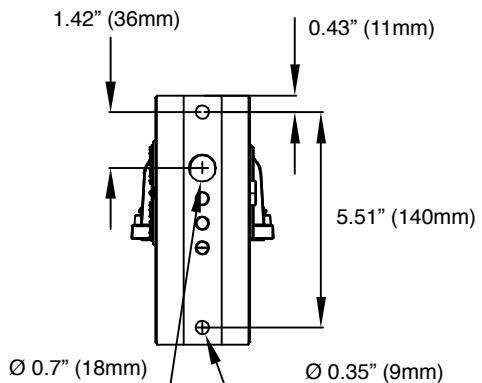
Rotatable Pole-Mount



Catalog No.	L	W	H
ALX-ASR	9.34" (237.2mm)	3.62" (92.2mm)	6.38" (162mm)

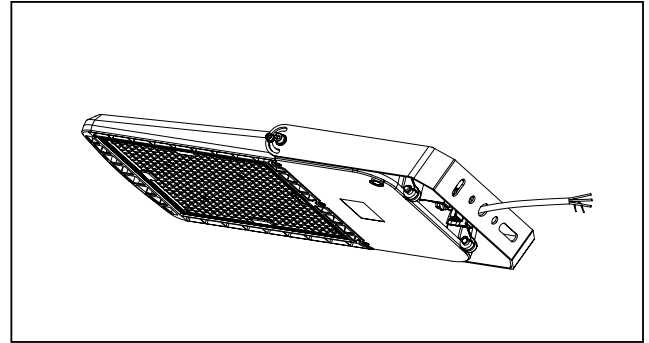
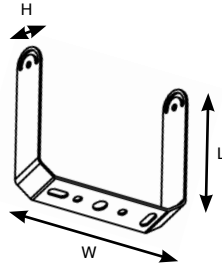


Drill Pattern ALX-ASR



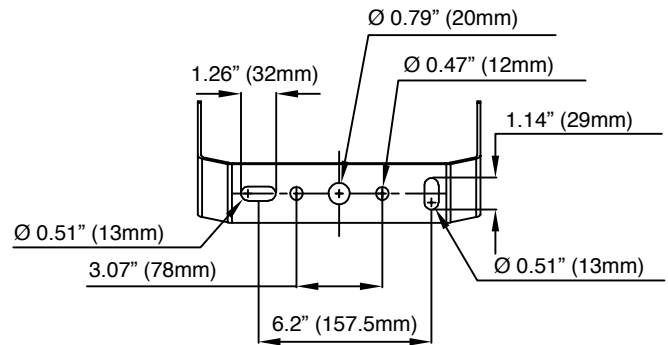
Mounting Information

Yoke Mount



Catalog No.	L	W	H
ALX-YOK-S	8.19" (208mm)	10.12" (257mm)	1.97" (50mm)
ALX-YOK-L	11.54" (293mm)	13.58" (345mm)	1.97" (50mm)

Drill Pattern ALX-YOK-S, ALX-YOK-L



EPA Rating

Mounting	Product	EPA Rating					
		1	2 @ 90°	2 @ 180°	3 @ 120°	3 @ 90°	4 @ 90°
ALX-ASF	ALX-150	0.47	0.68	0.95	1.26	1.15	1.15
	ALX-300	0.68	1.18	1.37	1.98	1.86	1.86
ALX-ASR	ALX-150	0.58	0.79	1.18	1.58	1.39	1.39
	ALX-300	0.81	1.11	1.65	2.16	1.95	1.95
ALX-ASA	ALX-150	0.54	0.74	1.02	1.33	1.21	1.21
	ALX-300	0.74	1.24	1.46	2.04	1.92	1.92


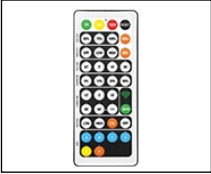

DLC QPL Data

QPL Model No.	Product ID	Technical Req.	Classification	Primary Use
ALX-150UX/CT (SR/RC)	S-TFOE8Z	5.1	Premium	Outdoor Pole/Arm-Mounted Area and Roadway Luminaires
ALX-150UX/CT HV (SR/RC)	S-CPNR5Q	5.1	Premium	Outdoor Pole/Arm-Mounted Area and Roadway Luminaires
ALX-300UX/CT (SR/RC)	S-1GCORK	5.1	Premium	Outdoor Pole/Arm-Mounted Area and Roadway Luminaires
ALX-300UX/CT HV (SR/RC)	S-5V273G	5.1	Premium	Outdoor Pole/Arm-Mounted Area and Roadway Luminaires



Specifications and Dimensions subject to change without notice.

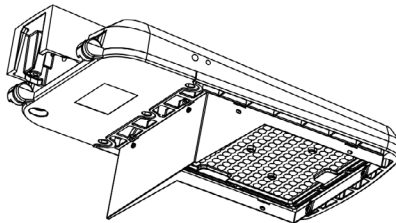
Control and Sensors Options

	Catalog No.	Description	Ordering	Shipping	Remote Control
	SHF-OSDL/IR-PP1-LV-10V-A01	Multi-level High Frequency Occ Sensor w/ Photocell Function, Plug and Play 3.5mm port, IR remote setting	Order Separately	Field Installed (Plug/Play)	SRC-A01
	SPIR-OSDL/IR-PP1-DC-130	Multi-level Passive Infrared Occ Sensor w/ Photocell Function, Plug and Play 3.5mm port, IR remote setting	Order Separately	Field Installed (Plug/Play)	SRC-A01
	SPIR-OSDL/BT-PP1-DC-300	AleoBlue, Wireless Bluetooth PIR Occ Sensor w/ Daylight Harvesting, 12V DC input, Plug and Play 3.5mm port, 40ft high bay lens	Order Separately	Field Installed (Plug/Play)	AleoBlue App
	SPIR-OSDL/BTEZ-PP1-DC-100	SimplBlue Bluetooth PIR Occ Sensor w/ Daylight, Plug and Play 3.5mm port	Order Separately	Field Installed (Plug/Play)	SimplBlue App
	-WLC/BT-SXT	AleoBlue Wireless Bluetooth Lighting Control Node w/ Range Extender Antenna	Add Suffix to Model No.	Shipped Installed	AleoBlue App
	PC-PP1-DC300	Photocell Sensor, Plug and Play 3.5mm port	Order Separately	Field Installed (Plug/Play)	-

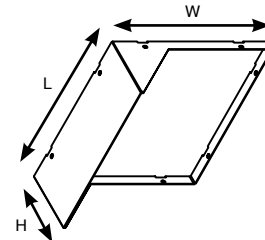
*Any exterior lighting design with AleoBlue controls should be reviewed by Aleo’s technical team to ensure proper mesh network quality, unless previously trained by Aleo. Please send designs to tech.support@aleoighting.com

Backshield Options

	Catalog No.	Description	Ordering	Shipping
	ALX-BKSHLD-S	Area Light Glare Shield Accessory Kit for ALX Series, 150W. Dark Bronze	Order Separately	Field Installed
	ALX-BKSHLD-L	Area Light Glare Shield Accessory Kit, for ALX Series, 300W. Dark Bronze	Order Separately	Field Installed



Catalog No.	L	W	H
ALX-BKSHLD-S	8.35" (212mm)	8.35" (212mm)	3.15" (80mm)
ALX-BKSHLD-L	11.65" (296mm)	11.65" (296mm)	3.15" (80mm)



Specifications and Dimensions subject to change without notice.

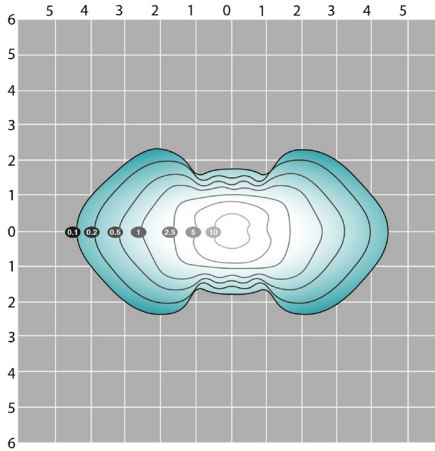
BUG Rating

Model No.	System Watts	Dist. Type	B	U	G
ALX-150UX/CT	70W/100W/150W	II	4	0	4
ALX-300UX/CT	200W/250W/300W	II	5	0	5
ALX-150UX/CT	70W/100W/150W	III	3	0	3
ALX-300UX/CT	200W/250W/300W	III	4	0	4
ALX-150UX/CT	70W/100W/150W	IV	3	0	3
ALX-300UX/CT	200W/250W/300W	IV	5	0	4
ALX-150UX/CT	70W/100W/150W	V	4	0	4
ALX-300UX/CT	200W/250W/300W	V	5	0	5

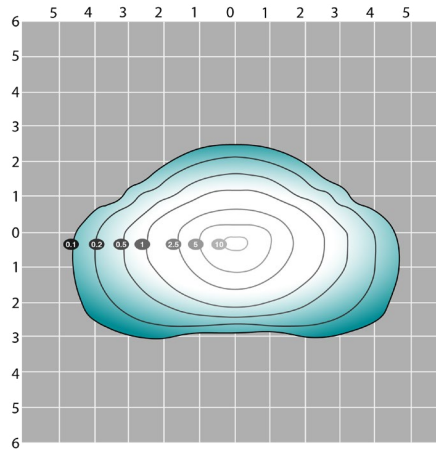
Photometric Information

150W

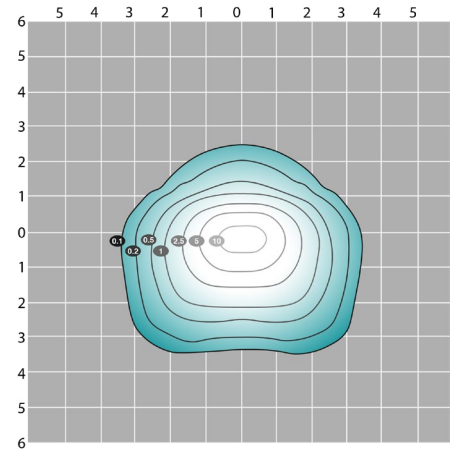
ALX-150UX/CT - T2 - 4000K



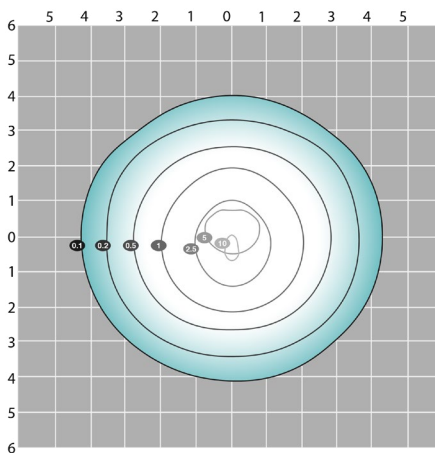
ALX-150UX/CT - T3 - 4000K



ALX-150UX/CT - T4 - 4000K



ALX-150UX/CT - T5 - 5000K

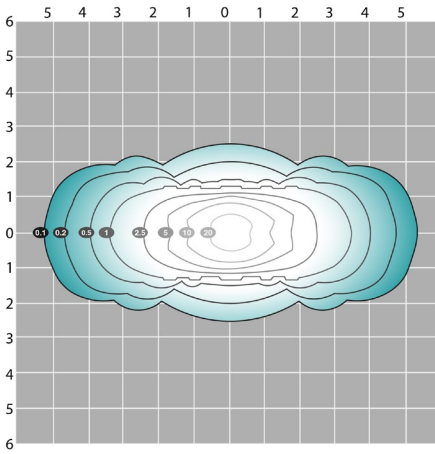


Specifications and Dimensions subject to change without notice.

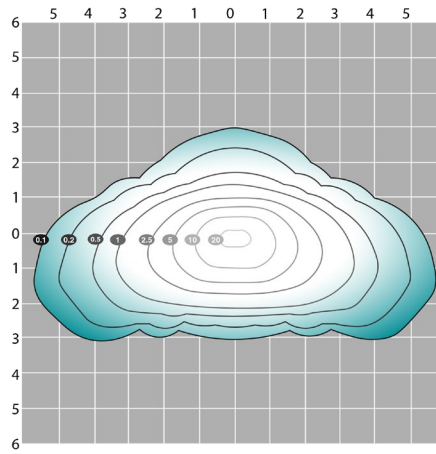
Photometric Information (continued)

300W

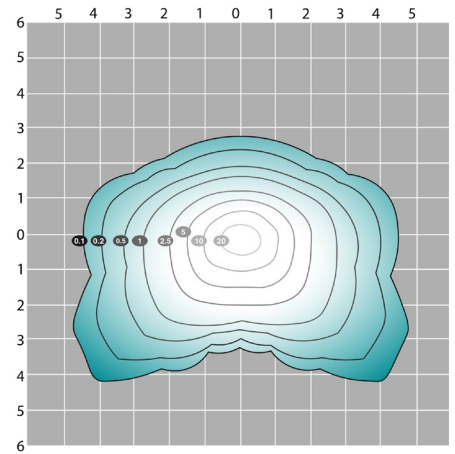
ALX-300UX/CT - T2 - 5000K



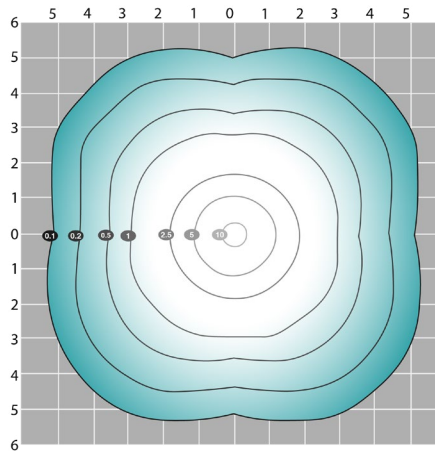
ALX-300UX/CT - T3 - 4000K



ALX-300UX/CT - T4 - 4000K



ALX-300UX/CT - T5 - 4000K





AleoBlue Wireless Bluetooth Controls

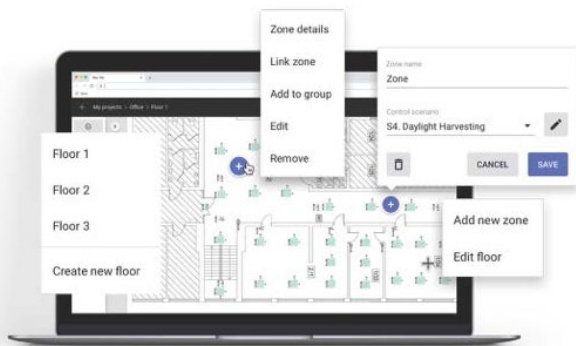


The AleoBlue is a complete solution for managing connected lighting systems using a Bluetooth Mesh lighting network. This enables seamless implementation of simple to complex lighting control scenarios without specialized training or lighting control engineering expertise.

DLC NLC Qualified.

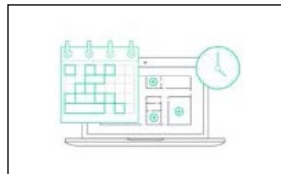
Features and Benefits

- Lighting Zones / Grouping
- Manual control of individual lights
- On Power up Behavior
- Zone Linking
- Vacancy Sensing
- Per fixture Daylight Control
- Per zone Daylight Control

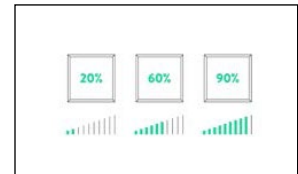


- Optimized Energy Consumption
- Less Hassle with On-Site Adjustments
- More Savings
- Increased Safety
- More Flexibility

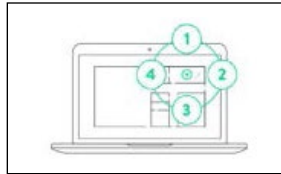
Scheduling



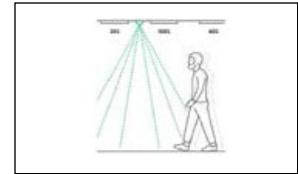
High and Low End Trim



Scenes



Occupancy Sensing



- Intuitive and user-friendly web and iOS apps
- No specialized training or lighting control expertise required
- Optimized for commercial spaces of any size
- No additional wiring or central control box
- Customizable lighting control parameters
- Future proof with Software Updates
- Multiple Zone Configurable
- Built-In Scenarios + Customization

Bluetooth Mesh Technology Advantages



The fastest low-power communication



Scalability to thousands of devices



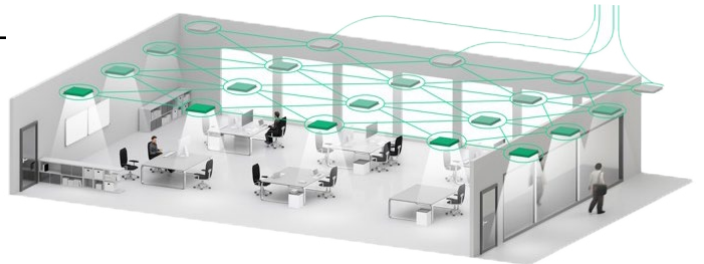
The most advanced encryption standards as well as the cutting-edge device authentication

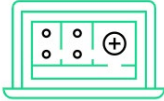


No single point of failure (no central device)



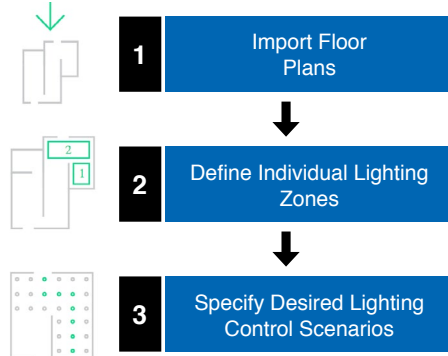
Compatibility with a widely available devices (smart phones & tablets – both with Bluetooth 4.0 and Bluetooth 5)





Planning

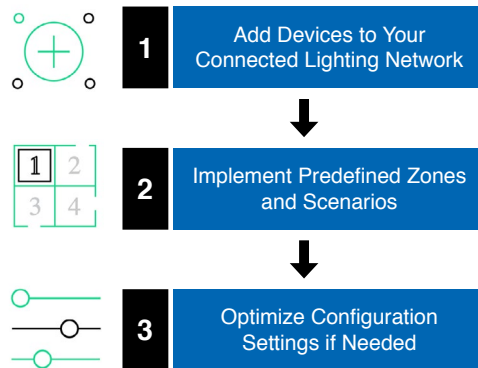
Remote preparation of a retrofit project with the use of our web app. Uploading floor plans, defining individual lighting zones and choosing lighting control scenarios.



Implementation

Adding lighting devices to the Bluetooth mesh network on-site with the use of an iOS app.

Customization and calibration of lighting control parameters during and after the commissioning process. Defining scenes for specific working activities.



Provisioning / Configurations

The Bluetooth mesh Node is in the Unprovisioned Mode until it is provisioned by a "Provisioner", which typically is a smart phone with a Bluetooth mesh compatible app.

Ordering Information



Wireless Bluetooth, Fixture-Mount Signal Booster Kit

Model: -WLC/BT-SXT



aleoBlue Gateway

Model: SGW-101

*Any exterior lighting design with aleoBlue controls should be reviewed by Aleo's technical team to ensure proper mesh network quality, unless previously trained by Aleo. Please send designs to tech.support@aleoighting.com

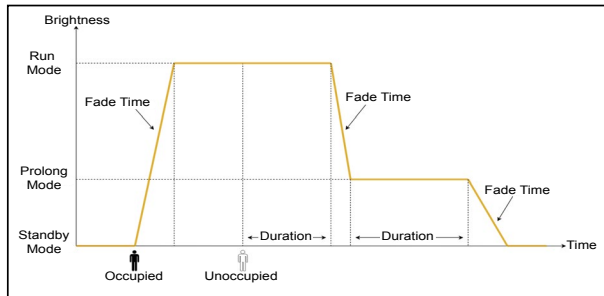
Lighting Control Scenarios

Multiple lighting control scenarios are available once the Bluetooth mesh Node is provisioned. At each scenario, duration, fade time and target brightness can be configured at any time with the iOS app.

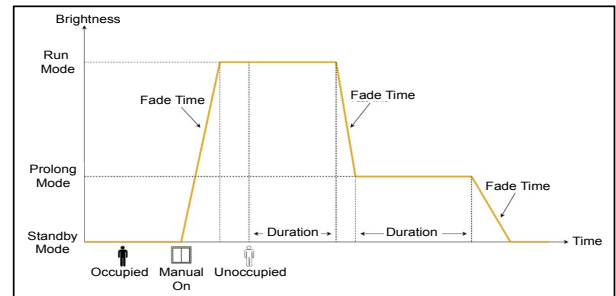


Mode / Scenario	Wireless Switch	Occupancy Sensor	Ambient Light Sensor
Unprovisioned Mode	-	-	-
Switch	On / Off / Scenes	-	-
Occupancy	On / Off / Scenes	Auto On / Off	-
Vacancy	On / Off / Scenes	Auto Off	-
Occupancy with Daylight Harvesting	On / Off / Scenes	Auto On / Off	Enabled
Vacancy with Daylight Harvesting	On / Off / Scenes	Auto Off	Enabled

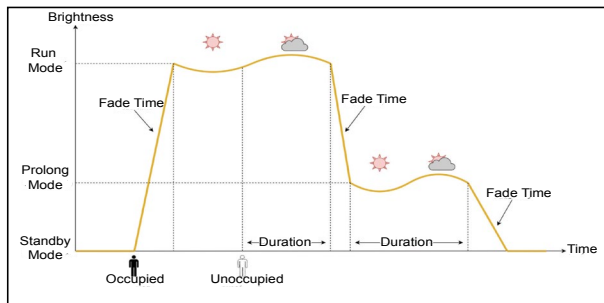
Occupancy Scenario



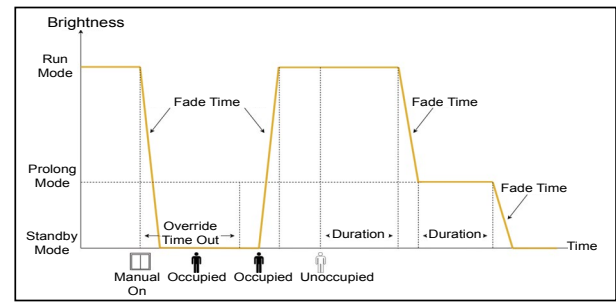
Vacancy Scenario



Occupancy Scenario - with Daylight Harvesting

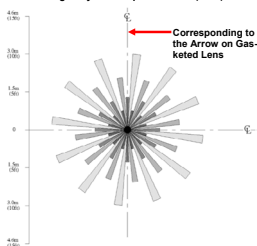


Occupancy Scenario with Manual Override



Occupancy Detection Pattern

HBL: High Bay Lens-Top View at 8 ft (2.4m)



HBL - Side View

