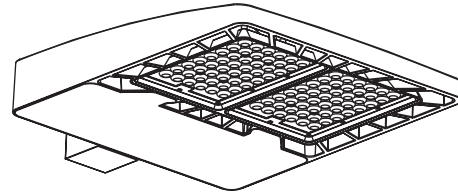


AL / ALS™ XE G3 Series

LED Area Luminaire

Includes: ALS-70, ALS-100, ALS-120, ALS-150,
AL-200, AL-240, AL-300

aleo™
LED LIGHTING



INSTALLATION INSTRUCTIONS

READ AND FOLLOW ALL SAFETY INSTRUCTIONS

WARNING

FAILURE TO FOLLOW THESE INSTRUCTIONS AND WARNINGS MAY RESULT IN SERIOUS INJURY OR DAMAGE TO PROPERTY

For your safety, thoroughly read these instructions and warnings in its entirety prior to installing or servicing this product. These instructions do not attempt to cover all installation and maintenance circumstances. If you do not understand these instructions or if additional information is needed, please contact Aleo Lighting customer service.

WARNING

RISK OF FIRE OR ELECTRIC SHOCK

This product must be installed and serviced by a professional electrician in accordance with applicable federal, state, and local laws, regulations, and electrical code. If not qualified, do not attempt installation of this product. Contact a qualified electrician.

WARNING

RISK OF FIRE, ELECTRIC SHOCK, or PERSONAL INJURY

To avoid risk of electrical shock, turn off power before installing or servicing.

Verify that supply voltage is correct by comparing with the input voltage on the luminaire label

Make all electrical and ground connections in accordance with NEC and any applicable code requirements

WARNING

RISK OF PERSONAL INJURY

To prevent wiring damage or abrasion, do not expose wiring to edges of sheet metal or other sharp objects
Do not make or alter any open holes in any of the enclosures with wiring or electrical components during installation

SAVE THESE INSTRUCTIONS FOR FUTURE REFERENCE

Suitable for Wet Location

WARNING

This luminaire is made for permanent installation in ordinary (non-hazardous) locations in accordance with NEC code and all applicable local and federal codes. Do not use in applications with limited ventilation or high ambient temperature enclosures.

TURN OFF POWER BEFORE INSTALLING

Electrical Connection

1. Connect BLACK (line) driver lead to voltage supply Line position (HOT).
2. Connect driver WHITE lead to the NEUTRAL supply position.
3. Connect the GREEN ground lead to the supply ground lead.

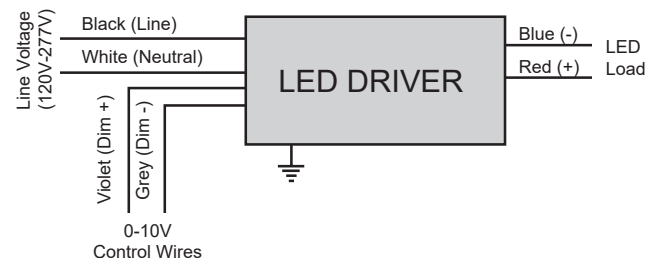
If using 0-10V dimming:

4. Connect VIOLET lead to supply POSITIVE dimming lead.
5. Connect GREY lead to the supply NEGATIVE dimming lead.

If NOT using 0-10V dimming:

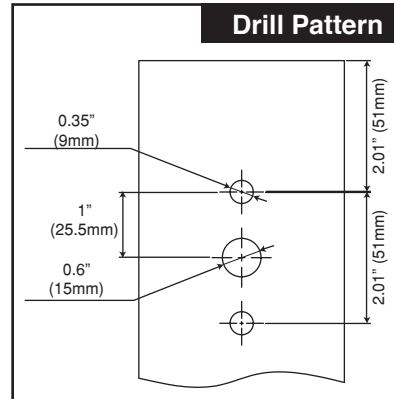
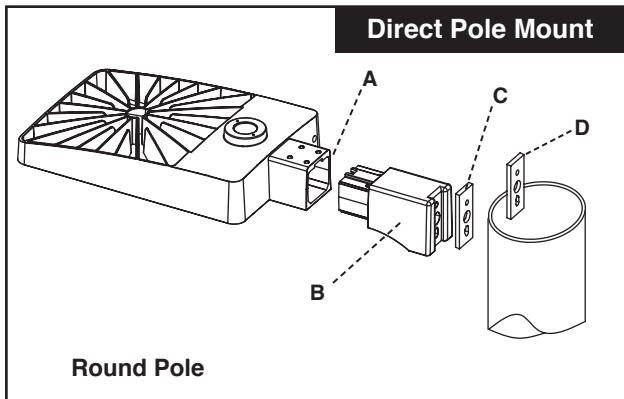
6. Ensure VIOLET and GREY 0-10V dimming leads are properly capped.

Wiring Diagram

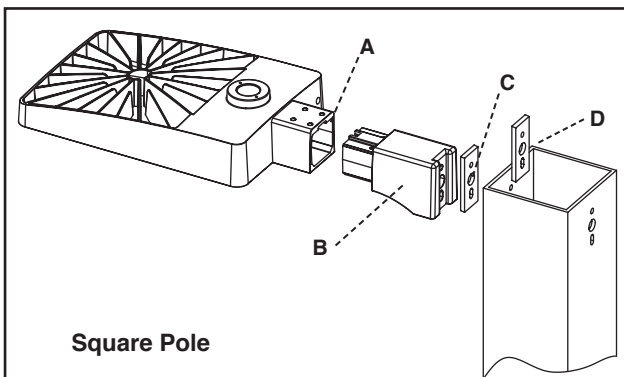


TO INSTALL:

A STRAIGHT ARM POLE MOUNT INSTALLATION



- A:** Mounting Adaptor
- B:** Straight Arm Mount
- C:** Gasket
- D:** Bolster Plate



INSTALLATION STEPS:

Check that the pole is drilled according to Pole Drilling Pattern

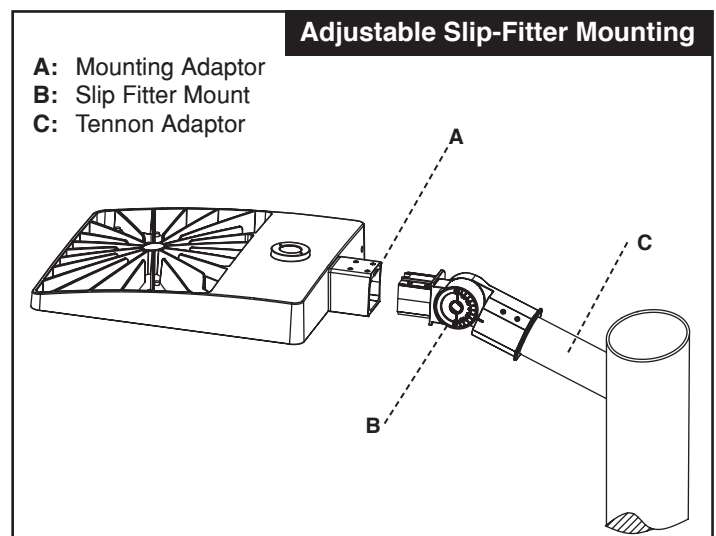
1. Remove Arm Cover from straight arm
2. Insert Long Bolts through Arm(B), Gasket (C), and Pole. Thread into the Bolster Plate (D)
3. Ensure Gasket (C) is positioned between the Arm and Pole. Secure with bolts, washers, and lock washers
4. Make necessary wiring connections inside Arm. SEE PAGE 1 for Electrical Connection and wiring diagram instructions.
5. Replace the Arm cover. Ensure the Gasket on the Arm cover is in place.
6. Slide Fixture Head and Adaptor onto Straight Arm Mount
7. Tighten Screws on top of Mounting Adaptor

B ADJUSTABLE SLIP-FITTER INSTALLATION

INSTALLATION STEPS:

The Adjustable Slip Fitter fits a 2-3/8" O.D. Tenon

1. Feed wires from Slip Fitter (B), feed supply wires (AC mains) from pole into Slip Fitter. Make necessary connections from AC reains to Slip Fitter Cord. SEE PAGE 1 for Electrical Connection and wiring diagram instructions.
2. Place the Slip Fitter (B) over the tenon (C) and secure the fixture with (2) screws on the side of the Adjustable Slip Fitter (B)
3. Make wiring connections from AL/ALS luminaire and Slip Fitter Cord.
4. Slide Mounting Adaptor (A) onto Slip Fitter (B). Tighten screws on top of Tennon Adaptor (C).
5. To adjust the angle of the Slip Fitter, remove (2) Screws and remove Wiring Compartment Cover. Loosen the Locking Bolt and swivel the fixture to the desired angle. The graduation of the Wiring Compartment Cover can be used as a guideline to the level of angle (degree).
6. Tighten the Locking Bolt. Place Wiring Compartment Cover back and secure.

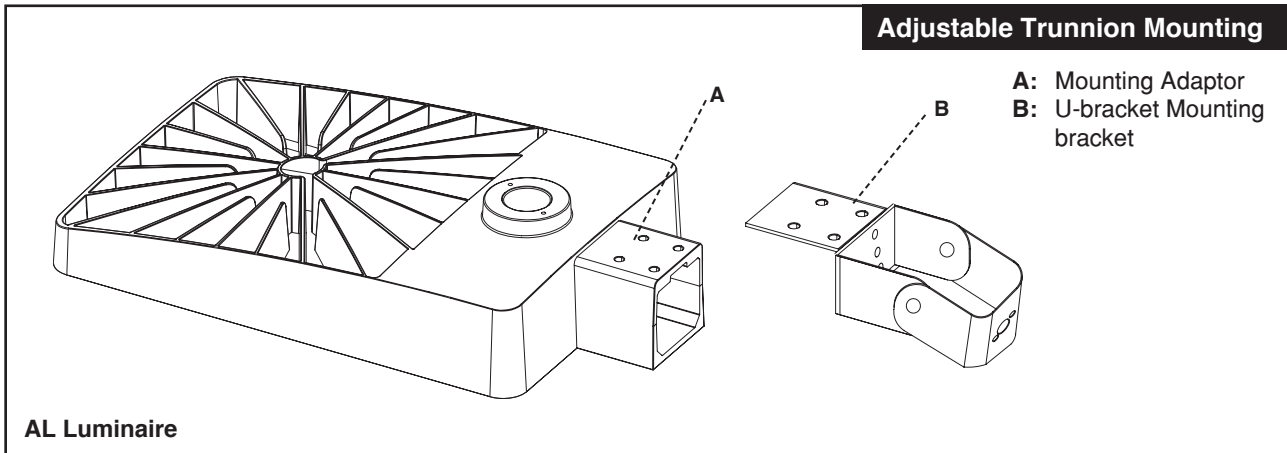


- A:** Mounting Adaptor
- B:** Slip Fitter Mount
- C:** Tennon Adaptor

AL / ALS™ XE G3 Series

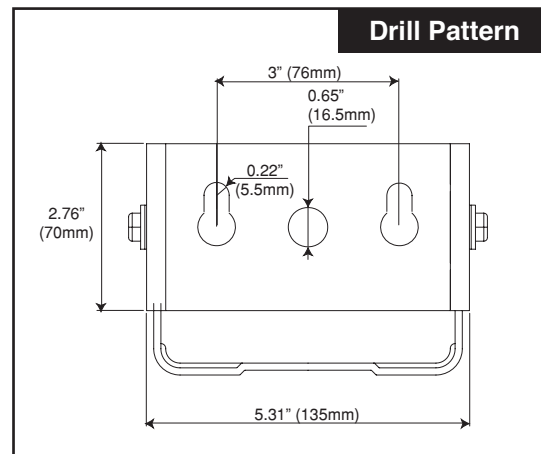
LED Area Luminaire

C ADJUSTABLE TRUNNION MOUNT INSTALLATION



INSTALLATION STEPS:

1. Check that the surface structure is drilled according to Trunion Mount Drilling Pattern, drill a minimum of three (3) holes in the surface where the luminaire is to be mounted.
2. Ensure that the mounting position can safely support the weight of the luminaire
3. Mount the Trunion Bracket (B) using studs to the surface structure. Make sure that Trunion Bracket (B) is securely attached
4. Adjust angle as needed
5. Slide Fixture Head and Mounting Adaptor (A) onto Trunion Bracket (B). Tighten 4x screws on top of Mounting Adaptor (A)
6. Make necessary electrical connections. SEE PAGE 1 for Electrical Connection and wiring diagram instructions.



aleo™
LED LIGHTING

Aleo Lighting, Inc.
www.aleolighting.com
13924 Bettencourt St.
Cerritos, CA 90703
Ph: 877-358-8825