

AGX™ Series

Commercial Grow Light

evio™

EVOLUTIONARY GROWLIGHT

INSTALLATION INSTRUCTIONS



READ AND FOLLOW ALL SAFETY INSTRUCTIONS

WARNING

FAILURE TO FOLLOW THESE INSTRUCTIONS AND WARNINGS MAY RESULT IN SERIOUS INJURY OR DAMAGE TO PROPERTY

For your safety, thoroughly read these instructions and warnings in its entirety prior to installing or servicing this product. These instructions do not attempt to cover all installation and maintenance circumstances. If you do not understand these instructions or if additional information is needed, please contact Evio customer service.

To reduce the risk of death, personal injury or property damage from fire, electric shock, falling parts, cuts/abrasions, and other hazards please read all warnings and instructions included with and on the fixture box and all fixture labels. Installation of the fixture should be performed by a qualified licensed electrician. Maintenance of the fixture should be performed by person(s) familiar with the fixture's construction and operation and any hazards involved. Regular maintenance programs are recommended. **DO NOT** install damaged product! The fixture has been properly packed so that no parts should have been damaged during transit. Thoroughly inspect the fixture for any freight damage; freight damage should be reported to the delivery carrier.

WARNING

RISK OF FIRE

This product must be installed and serviced by a professional electrician in accordance with applicable federal, state, and local laws, regulations, and electrical code. If not qualified, do not attempt installation of this product. Contact a qualified electrician.

DO NOT exceed maximum supply voltage or wattage marked on fixture label.

DO NOT exceed fixture maximum ambient temperature or RH.

DO NOT operate in close proximity to persons, combustible materials or substances affected by heat or drying.

DO NOT place operating fixtures face down on a flush surface to avoid the risk of overheating or fire.

WARNING

RISK OF ELECTRIC SHOCK

To avoid risk of electrical shock, turn off power before inspection, installing or servicing.

Verify that supply voltage is correct by comparing with the input voltage on the luminaire label

Make all electrical and ground connections in accordance with NEC and any applicable code requirements.

The fixture must be wired in accordance with the National Electrical Code and all applicable local codes. Proper grounding is required for safety.

All wiring connections should be capped with UL approved recognized wire connectors.

Make sure power supply is OFF before installing or maintaining fixture.

WARNING

RISK OF PERSONAL INJURY

To prevent wiring damage or abrasion, do not expose wiring to edges of sheet metal or other sharp objects.

Do not make or alter any open holes in any of the enclosures with wiring or electrical components during installation.

These photobiological safety markings are based on testing of the light output characteristic of a single horticultural luminaire. Increased exposure risk to facility personnel may be present depending upon the number of horticultural luminaires and their placement and/or positioning within the plant growth facility.

It is the responsibility of the plant growth facility to address these risks at the facility level and to ensure that people entering the plant growth areas while the lights are on, are aware of these risks and that appropriate safeguards are in place.

RISK GROUP 1 - CAUTION

Possibly hazardous optical radiation emitted from this product. Do not stare at operating lamp. May be harmful to the eye.

Product tested against EN62471

INSTALLATION INSTRUCTIONS:

WARNING

RISK OF PRODUCT DAMAGE

HANDLE WITH CARE! Improper installing, operating and servicing might damage the product and void the warranty.

DO NOT mount or support this fixture in a manner that can cut the outer jacket or damage wire insulation.

DO NOT touch, handle, lift or adjust fixture silver extrusions that LED modules are mounted to during installation or servicing of the unit.

DO NOT touch or clean individual LEDs or other electrical components as this can cause Electrostatic Discharge (ESD), damage the fixture, shorten fixture's life, or alter performance. Personal grounding equipment must be worn during all installation or servicing of the unit.

REMOVE the protective film off LED modules before turning on the fixture.

NEVER spray or wash the fixture with water or other liquids.

CHECK for compatibility before wiring any control system for dimming, auto-sensing, or remote control that are not factory-wired.

NEVER perform maintenance or cleaning while fixture is energized; allow fixture to cool before handling.

DO NOT conceal or extend power cord through a wall, floor, ceiling, or other parts of the building structure.

DO NOT locate power cord above a suspended ceiling or dropped ceiling.

DO NOT permanently affix power cord to the building structure.

DO NOT route the power cord, which is subject to strain and protected.

KEEP the entire power supply cord to be visible after installation of the unit.

KEEP the maximum temperature of jacket below 90°C.

GENERAL CARE OF YOUR FIXTURE

KEEP 6-inch distances between adjacent lighting equipment and between the lighting equipment and combustible materials such as walls, ceilings, movable partitions, and the like; and between lighting equipment and other heat generating equipment (providing these installation limitations are needed to prevent overheating of lighting equipment, other equipment, or combustible materials within the installation environment).

ROUTINELY check for and remove dust and debris buildup from LED modules, heat sink and LED driver. Cleaning shall be done using low-pressure compressed air to rinse away dirt from LED modules.

NEVER touch individual LEDs with your fingers, which might lead to degradation or damage of the fixture.

KEEP the ambient temperature to be less than 50°C. The users have to check the temperature by a thermometer before turning on power. If the ambient exceed 50°C within the growing space, the user need use a mechanical ventilation or cooling system before installation and this mechanical ventilation or cooling system is required to maintain the temperature within the growing space below 50°C when the luminaire is in operation.

CULTIVATION GUIDE

ROUTINELY check your plants' growth and health; adjust H₂O, CO₂, nutrients, temperature, RH (relative humidity) accordingly. Many plants prefer higher temperatures when exposed to high PPFd; experiment with higher temperature is recommended to achieve higher yields.

MAINTAIN a precise deployment of your fixture is very important to ensure optimal uniformity and consistent PPFd. The fixture shall be adjusted from time to time through the full cycle; at least 6 inch is recommended from top of your canopy.

ALWAYS test at the canopy level to gauge leaf surface temperature, since canopy temperature and room ambient temperature might vary.

INTENDED APPLICATION

Input voltage: 120-277VAC, 50/60Hz

Min. 90°C supply conductors

Operating temperature: -40°C to 50°C

Suitable for dry and damp location

SAVE THESE INSTRUCTIONS FOR FUTURE REFERENCE

WARNING

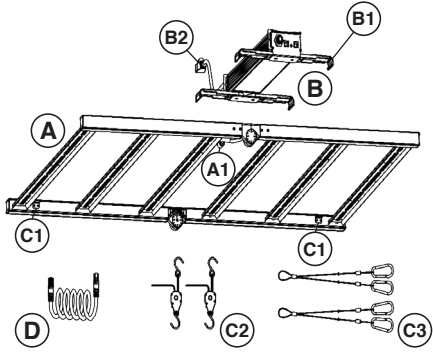
This luminaire is made for permanent installation in ordinary (non-hazardous) locations in accordance with NEC code and all applicable local and federal codes. Do not use in applications with limited ventilation or high ambient temperature enclosures.

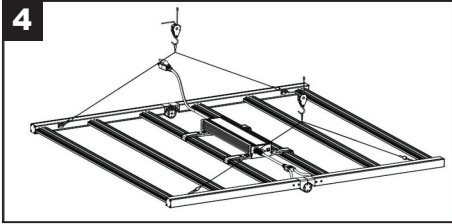
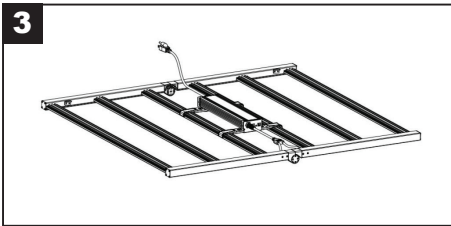
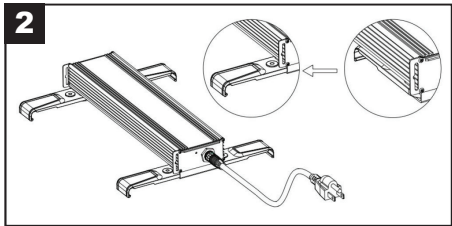
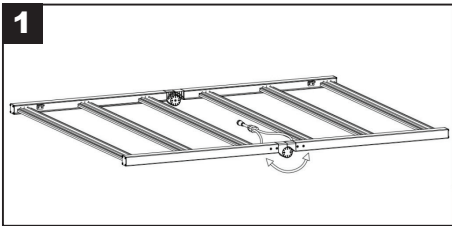
INSTALLATION INSTRUCTIONS:

Install fixture in a well-ventilated environment. Keep away from corrosive/explosive materials, flammable gas or electric dust. Make sure structure is adequate to support the weight of the fixture. User should prepare necessary accessories and spare parts (not provided) including junction box, fasteners, junction box gasket.

System Hardware

- A:** AGX Grow Light fixture
 - A1: DC Connector to LED Bars
- B:** LED Driver (Power Supply)
 - B1: Driver Mounting Bracket
 - B2: Driver Input Power Connector
- C:** Mounting Accessories
 - C1: Mounting Anchors (x4)
 - C2: Adjustable Pulley System (x2)
 - C3: Aircraft Cable (x2)
- D:** 10ft data chord (x1)





INSTALLATION INSTRUCTIONS

WARNING: Make sure all power is OFF before installation. Shutting power off at breaker is recommended. Use care when handling LED bars and ensure LED is not damaged.

1. Unpack the box and carefully remove contents. Unfold the fixture and place fixture on a flat surface.
2. Mount the LED Driver: either attach the LED driver to the LED bars or remote mount the driver to a surface.
 - a. Unfold the mounting brackets of the driver, FIG 2.
 - b. When the fixture is unfolded and the LED's are facing down, attach the LED driver bracket to the center (2) bars and press down until they snap in place, FIG 3.
 - c. Once the LED driver is installed, do not attempt to fold the fixture. Doing so may cause damage to the fixture.
3. **Suspension Mount:** Attach the aircraft cables (x2) onto each mounting anchor (x4) and hang the fixture with the pulley system (x2), FIG 4.

TO INSTALL:

TURN OFF POWER BEFORE INSTALLING

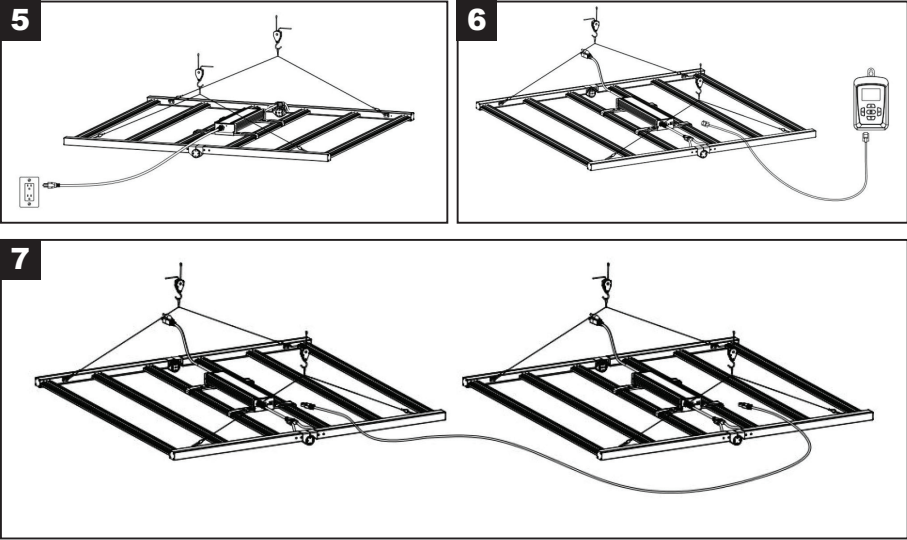
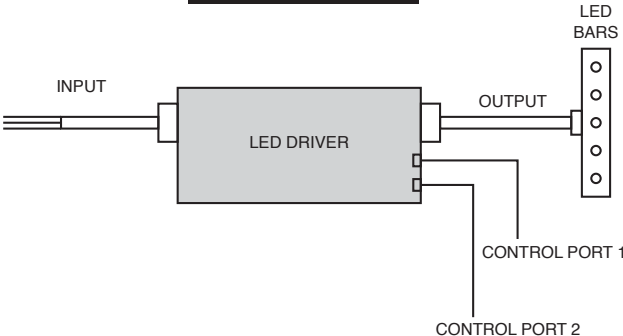
Electrical Connection

1. Connect Power Cord (B2) with driver input by plugging connectors together.
2. Connect DC Connector (A1) from LED bars to driver output by plugging connectors together.
3. Connect Power Cord (B2) to line voltage mains via plug or hardwiring.

If using 0-10V dimming:

4. Use RJ12 cable to connect LED driver to controller (sold separate) or dimmer using one of the control ports on the LED driver.
5. Utilize the other RJ12 control port to daisy chain control cable.

Wiring Diagram



WIRING / ELECTRICAL CONNECTIONS

4. The fixture comes with (1) input power plus and (2) data control ports. Insert plug or hardwire cord into AC line mains, FIG 5.
5. Insert data cord into control port, and connect cord to controller (sold separate) or to upstream fixture control port if utilizing daisy chain control wiring, FIG 6.
6. For control wire daisy chain, connect data cord to control port and connect other end to control port of a downstream fixture, FIG 7.
7. Before energizing the LED, make sure to remove the film covering the LED on the bars.