

Project	
Notes	
Type	Date
Cat. No.	

RKLS™ Series **Linear Magnetic Module Retrofit Kit**



DESCRIPTION

The Aleo RKLS Series Magnetic Module Retrofit Kit is the ultimate retrofit kit for energy-savings in myriad of commercial applications. The RKLS offers extreme versatility and flexibility with the ability to be fit inside various existing linear luminaires. The magnetic design allows for easy and convenient installation. Removable lens allows for increased light output and efficacy for fixtures with existing lens. Easy replacement and maintenance with external 2-channel driver.

APPLICATIONS

Retrofit of commercial, retail, education, hospitality, corporate. Ideal upgrade for prismatic troffers, parabolic troffers, strips/channels, wraparounds, vapor tights.

Specification Features



Construction

Precision extruded aluminum heat sink with integral LED and magnetic mounting. Seamless design with frosted end caps and lens diffuser.

Optical System

Lens (optional) delivers balanced, comfortable illuminance. Optimal glare control. For higher efficacy and lumen output, lens is removable.

Certification

ETL Listed. DLC Premium QPL. Driver: Meets FCC Part 15 Class A Limit for EMI.

Warranty

7-year Limited Warranty. See warranty documentation for more information.

Electrical

External 2-channel LED Driver for easy driver and module replacement. Universal voltage:120V-277V input. 0-10V dimming.

Installation / Mounting

Quick and easy installation. Modules are magnetic for fast mounting and alignment. Comes with self-tapping tek screws. LED driver matches standard ballast mounting pattern.

Controls / Dimming

Continuous dimming (0-10V) comes standard. Can be used with dimmer and sensor control

Retrofit Kit Contents

(1) LED Driver, (2) Magnetic Modules, (2) Lenses, Tek Screws, Quick Disconnect, Retrofit Label.

RKLS Series

(2) Modules
3200 / 4000 / 4700 / 5400 lm

Rated Life 75,000 hours
Limited Warranty 7-years
Efficacy up to 160 lm/W
0-10V Continuous Dimming
DLC Premium



Quick Ship

RKLS-2-44UXL/840 XE (F)
RKLS-2-22UXL/840 XE (F)

Ordering Information

Example: RKLS-2-44UXL/840 XE (3200L) (F)

RKLS	2	44	UXL	8	40	XE	(XXXXL)		
Series	No. Of Modules	Module Length		Lumen Package		CRI	Color Temp	Designation	Nominal Lumen
RKLS Magnetic Module Retrofit Kit	2 - (2) Modules	44	44" (Nom.) length	UXL	Factory Set / Low Wattage	8 80+	40 4000K	XE High Efficacy (DLC Premium)	2800 lm 4200 lm 3200 lm 4700 lm 3400 lm 4800 lm 4000 lm 5400 lm 4100 lm
		22	22" (Nom.) length						
									F
								Lens Diffuser	
								F Frosted (Optional)	

Specifications and Dimensions subject to change without notice.

Performance Summary

Input Voltage	120V-277V
Input Frequency	50/60 Hz
Rated Wattage	See Performance Table
Delivered Lumens	See Performance Table
Efficacy	Up to 160 LPW (without lens)
CRI	80+
Available CCT	4000K
Rated Life	75,000 hrs.
L70	160,000 hrs.
Power Factor	> 0.95
THD	< 20%
Dimming	0-10V Continuous
Operating Temp.	-30°C to 55°C
Beam Angle	120 deg.

Driver Specifications

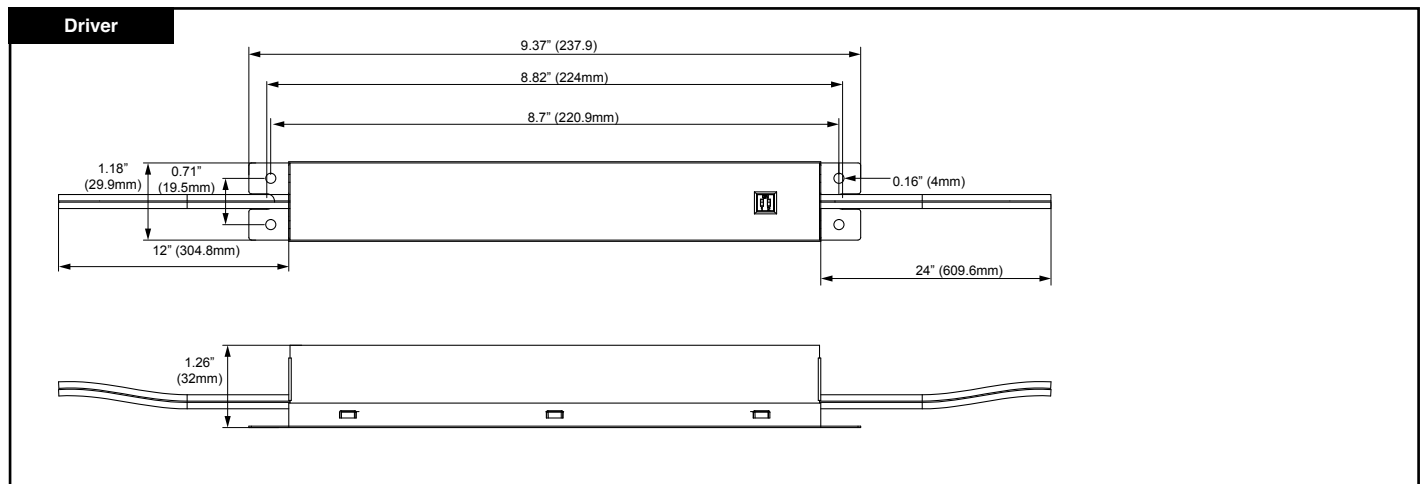
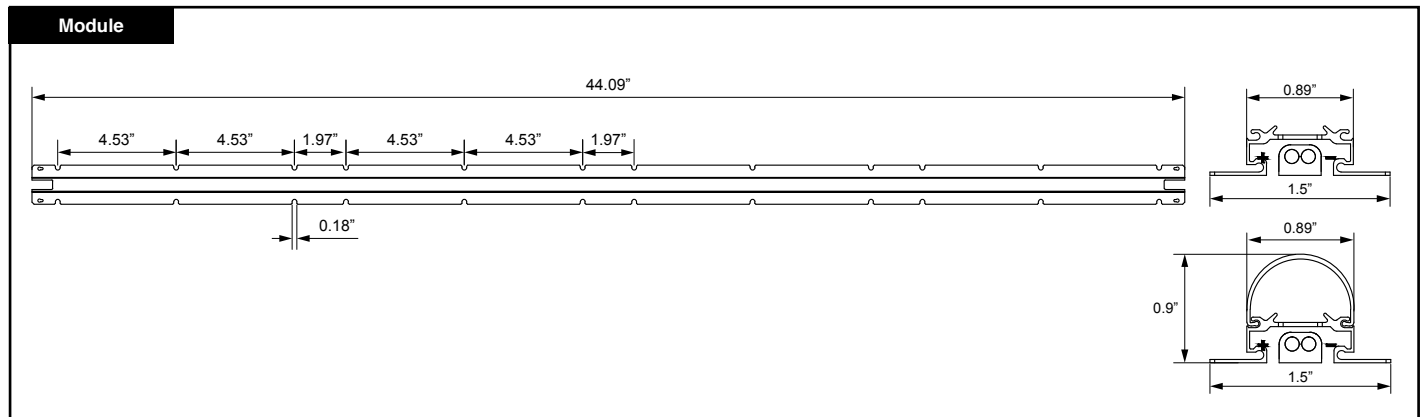
Input Voltage	120V-277V
Frequency Range (Hz)	47-63 Hz
Power Factor (Min.)	0.95 @ full load
THD (Max.)	20%
AC Current(Max.)	0.4A
Inrush Current (Max.)	40A
Leakage Current(Max.)	0.7mA @ 277Vac
Output Current (mA) per Channel	500\450\350\300 (Factory Set)
Output voltage (V) per Channel	32-40V
Rated Power Max (System)	40W

Performance Data

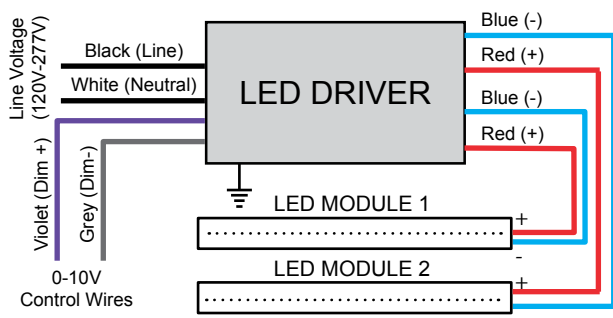
Catalog No.	Application	Rated Wattage (W)	Tested Wattage (W)	3500K		4000K		5000K	
				Scaled Lumens (lm)	Scaled Efficacy (lm/W)	Scaled Lumens (lm)	Scaled Efficacy (lm/W)	Scaled Lumens (lm)	Scaled Efficacy (lm/W)
RKLS-2-44UXL/8xx XE (3200L)	Linear	24	23	3404	148	3427	149	3450	150
RKLS-2-44UXL/8xx XE (4000L)		30	28	4116	147	4144	148	4172	149
RKLS-2-44UXL/8xx XE (4700L)		36	34	4930	145	4964	146	4998	147
RKLS-2-44UXL/8xx XE (5400L)		42	39	5577	143	5616	144	5655	145
RKLS-2-22UXL/8xx XE (3200L)	Linear	24	23	3404	148	3427	149	3473	151
RKLS-2-22UXL/8xx XE (4000L)		30	28	4116	147	4144	148	4200	150
RKLS-2-22UXL/8xx XE (4700L)		36	34	4930	145	4964	146	5032	148
RKLS-2-22UXL/8xx XE (5400L)		42	39	5577	143	5616	144	5694	146
RKLS-2-44UXL/8xx XE (2800L)	Troffer 2x4	24	23	3358	146	3450	150	3542	154
RKLS-2-44UXL/8xx XE (3400L)		30	28	4060	145	4172	149	4284	153
RKLS-2-44UXL/8xx XE (4100L)		36	34	4896	144	5032	148	5168	152
RKLS-2-44UXL/8xx XE (4700L)		42	39	5538	142	5694	146	5850	150
RKLS-2-44UXL/8xx XE (2800L)	Troffer 1x4	24	23	2921	127	3013	131	3082	134
RKLS-2-44UXL/8xx XE (3400L)		30	28	3584	128	3696	132	3780	135
RKLS-2-44UXL/8xx XE (4100L)		36	34	4318	127	4454	131	4556	134
RKLS-2-44UXL/8xx XE (4700L)		42	39	4914	126	5070	130	5187	133
RKLS-2-22UXL/8xx XE (2800L)	Troffer 2x2	24	23	2990	130	3013	131	3036	132
RKLS-2-22UXL/8xx XE (3500L)		30	28	3612	129	3640	130	3668	131
RKLS-2-22UXL/8xx XE (4200L)		36	34	4352	128	4386	129	4420	130
RKLS-2-22UXL/8xx XE (4800L)		42	39	4953	127	4992	128	5031	129

Performance Data is of retrofit kit without optional lens accessory, includes installation into existing luminaire

Product Dimensions

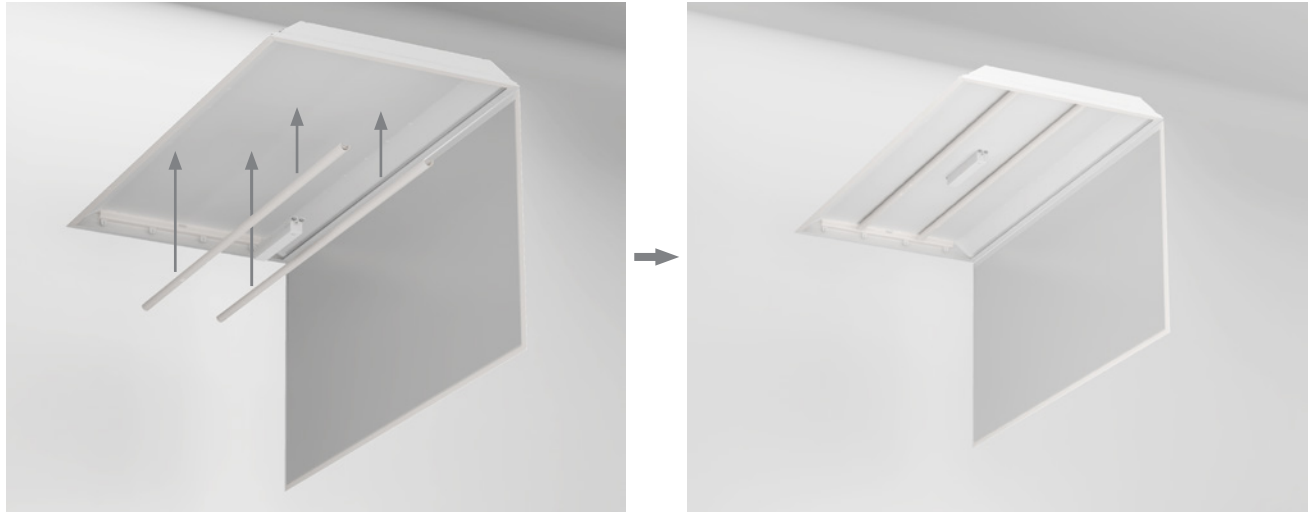


Wiring Diagram



Mounting and Installation

Troffer Application



Strip Application

