



Project	
Notes	
Type	Date
Cat. No.	

**WPM™ Series**

**Slim Mini LED Wall Pack Luminaire**



**DESCRIPTION**

The Aleo WPM™ Series combines energy-efficiency, high performance, and rugged construction with a slim profile Designed look to deliver enhanced performance to outdoor wall-mounted lighting applications. Rugged die-cast housing provides advanced thermal management for long life and weather-proof compartment to withstand challenging, outdoor environments.

**APPLICATIONS**

Outdoor wall-mount applications. Building facade. Retail, commercial, Industrial exteriors, School Campuses.

**Specification Features**



**Construction**

Rugged, die-cast housing with advanced thermal management system ensures reliability and durability. Weather-proof, gasketed compartment protects electronics against environmental elements. Dark Bronze finish. IP65 Wet Location Rated.

**Optical System**

High performance LED platforms delivers high efficiency and long life. Frosted prismatic glass lens designed for superior light distribution and uniformity. Type IV comes standard.

**Certification**

ETL Listed. All components have safety certification. DLC QPL Premium

**Warranty**

7-year Limited Warranty. See warranty documentation for more information.

**Electrical**

Luminaire utilizes high-efficacy LED packages maintained at cool temperatures for long life, high efficacy. Reliable driver features universal voltage (120-277V) for convenient installation.

**Installation / Mounting**

Designed to be wall-mounted. Luminaire to be mounted directly over standard 4" junction box (supplied by others) or surface mount and wiring connection through convenient 1/2" threaded conduit entry hub on wall pack sides.

**Photocell**

Comes Standard with built-in dusk-to-dawn photocell.

**WPM Series**

15W

Rated Life 75,000 hours  
Limited Warranty 7-years  
Efficacy Up to 125 LPW



**Quick Ship**

WPM-15/40K  
WPM-15/50K

**Ordering Information**

Example: WPM-15/40K

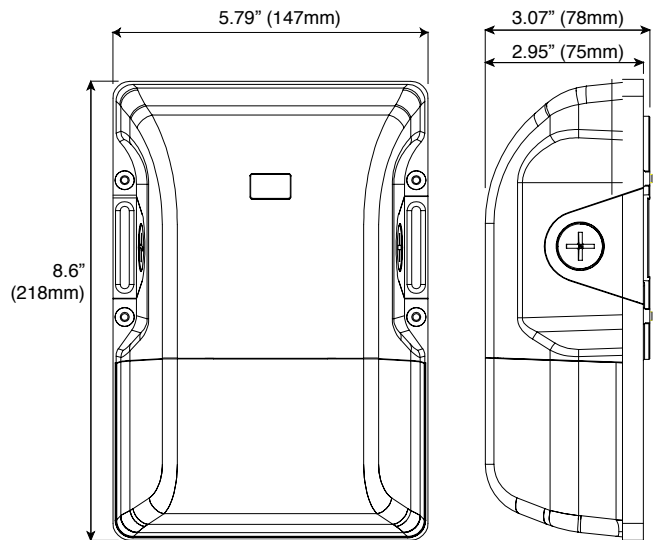
WPM	15	50K	[Blank]	[Blank]	[Blank]
<b>Series</b>	<b>Nominal Wattage</b>	<b>Color Temp<sup>1</sup></b>	<b>Input Voltage</b>	<b>Controls</b>	<b>Finish</b>
WPM Slim Mini LED Wall Pack	15 15W	40K 4000K 50K 5000K	Blank 120V-277V	Blank Photocell (120V/277V)	Blank Dark Bronze

Specifications and Dimensions subject to change without notice.

Performance Summary

Input Voltage	120V-277V
Input Frequency	50/60 Hz
Rated Wattage	See Performance Table
Delivered Lumens	See Performance Table
Efficacy	125 LPW (typ.)
CRI	80+, R9 > 0
Available CCT <sup>1</sup>	4000K, 5000K
Rated Life	50,000 hours
Power Factor	> 0.9
THD	< 20%
IP Rating	IP65
Photometric Distribution	Type IV
Operating Temp.	-20°C to 45°C

Product Dimensions

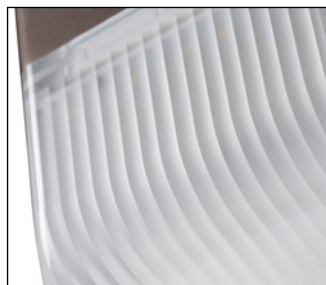


Performance Data

Catalog No.	Rated Wattage (W)	Tested Wattage (W)	4000K		5000K	
			Delivered Lumens (lm)	Efficacy (lm/W)	Delivered Lumens (lm)	Efficacy (lm/W)
WPM-15/xxK	14	15	1931	134	1954	135

DLC QPL Data

QPL Model No.	Product ID	Technical Req.	Classification	Primary Use
WPM-15/40K	PLZXGJIQJQOC	4.4	Premium	Outdoor Non-Cutoff and Semi-Cutoff Wall-Mounted Area Luminaires
WPM-15/45K	PLHS4Z0GGC64	4.4	Premium	Outdoor Non-Cutoff and Semi-Cutoff Wall-Mounted Area Luminaires
WPM-15/50K	PLXXG3GTKAEX	4.4	Premium	Outdoor Non-Cutoff and Semi-Cutoff Wall-Mounted Area Luminaires
WPM-15/57K	PL8VNGM5KBYO	4.4	Premium	Outdoor Non-Cutoff and Semi-Cutoff Wall-Mounted Area Luminaires
WPM-20/40K	PLTEY8N0W0O2	4.4	Premium	Outdoor Non-Cutoff and Semi-Cutoff Wall-Mounted Area Luminaires
WPM-20/45K	PLPV4ZA5HEEZ	4.4	Premium	Outdoor Non-Cutoff and Semi-Cutoff Wall-Mounted Area Luminaires
WPM-20/50K	PL51VH3SGX11	4.4	Premium	Outdoor Non-Cutoff and Semi-Cutoff Wall-Mounted Area Luminaires
WPM-20/57K	PL4TURPX3BDM	4.4	Premium	Outdoor Non-Cutoff and Semi-Cutoff Wall-Mounted Area Luminaires



NOTES:

<sup>1</sup> Quick ship: 4000K & 5000K. Other CCTs may require a lead time or be special order

© 2021 Aleo Lighting, Inc. All rights reserved. For informational purposes only. Reproduction in whole or part is prohibited without prior written consent of the copyright owner. The information presented in this document does not form part of any quotation or contract, is believed to be accurate and reliable and may be changed without notice. No liability will be accepted by the publisher for any consequences of its use. Aleo Lighting reserves the rights make changes in specification at any time without notice.



Aleo Lighting, Inc.  
 www.aleoighting.com  
 10988 Bloomfield Ave.  
 Santa Fe Springs, CA 90670  
 Ph: 877-358-8825