



Project	
Notes	
Type	Date
Cat. No.	



**LPS-BL™ XE Series** **Slim LED Panel Back Lit**

**DESCRIPTION**

The Aleo LPS-BL™ Series LED Panel delivers industry-leading performance with deep energy savings and continuous dimming. The slim profile, modern design produces pleasant, uniform and low-glare illumination, enhancing spaces in various applications.

**APPLICATIONS**

Retail, schools, offices, healthcare, and other various commercial applications .

**LPS-BL XE Series**

**2x4 36W**  
**2x2 28W**

**Specification Features**



**Construction**

Solid rigid frame, post-painted matte white finish for strength and durability. Low profile design optimizes shipping, storage, and handling. Integral T-Bar clips built into luminaire. Integrated parts and diffuser for easy installation and handling.

**Electrical**

Luminaire utilizes high-efficacy LED packages maintained at cool temperatures for long life, high efficacy. Reliable driver features continuous dimming. Universal voltage (120-277V) for convenient installation.

**Rated Life 75,000 hours**  
**Limited Warranty 7-years**  
**Efficacy Up to 127 LPW**  
**Continuous Dimming**

**Optical System**

Back-lit optics produces soft balanced, comfortable luminance for productive spaces. Diffuser lens reduces glare and improves occupant comfort while maintaining high efficiency emission.

**Installation / Mounting**

Installs in most standard T-Bar ceiling grid systems. Compatible with standard 15/16" and 9/16" T-bar grid ceilings



**Certification**

UL Listed. All components have UL certification.

**Controls / Dimming**

Continuous dimming (0-10V) comes standard. Suitable for use with dimmers, sensors, daylight harvesting and other control strategies to achieve deeper energy-savings and code compliance.

**Warranty**

7-year Limited Warranty. See warranty documentation for more information.

**Ordering Information**

Example: LPS-BL-24LE-36/840 XE G4

LPS-BL	24	LE	36	8	40	[Blank]	[Blank]
<b>Series</b> LPS Slim LED Panel - Back Lit	<b>Form Factor</b> 24 2'x4' 22 2'x2'	<b>Lumen Package</b> LE Low Wattage	<b>Nominal Wattage</b> 2'x4' 36 36W 2'x 2' 28 28W	<b>CRI</b> 8 80+	<b>Color Temp</b> 40 4000K 50 5000K	<b>Input Voltage</b> Blank 120V-277V	<b>Dimming</b> Blank 0-10V Continuous Dimming
						[Blank]	
						<b>Emergency Backup</b> EM700 700lm EM1400 1400lm EM2000 2000lm	

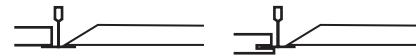
Specifications and Dimensions subject to change without notice.

Performance Summary

Input Voltage	120V-277V
Input Frequency	50/60 Hz
Rated Wattage	See Performance Table
Delivered Lumens	See Performance Table
Efficacy	> 125 LPW (typ.)
CRI	83+, R9 > 0
Available CCT <sup>1</sup>	4000K, 5000K
Rated Life	75,000 hours
Power Factor	> 0.9
THD	< 20%
Dimming	0-10V Continuous (10-100%)
Operating Temp.	-20°C to 50°C



Mounting Information



Lay-in (Standard)

Concealed

\* Fits 9/16, 15/16 and SS T-bar grid.  
Flange kit available upon request

Performance Data

Form Factor	Catalog No.	Rated Wattage (W)	4000K		5000K	
			Delivered Lumens (lm)	Efficacy (lm/W)	Delivered Lumens (lm)	Efficacy (lm/W)
2' x 2'	LPS-BL-22LE-28 XE G4	28	3528	126	3556	127
2' x 4'	LPS-BL-24LE-36 XE G4	36	4536	126	4572	127



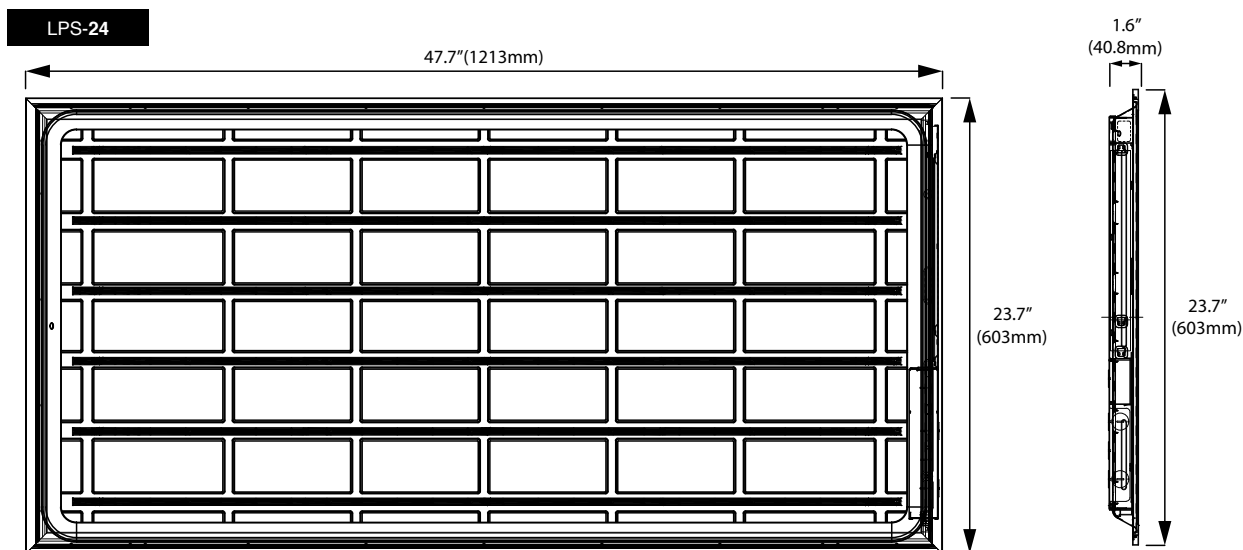
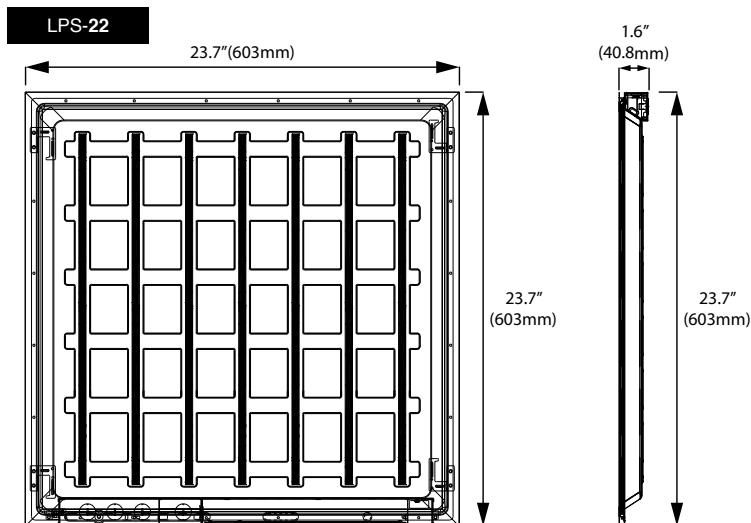
NOTES:

<sup>1</sup> Typical color consistency. May vary or be changed.

<sup>2</sup> L70 hours calculated based on LED package manufacturer LM80 report and ISTMT report of LED in luminaire. Stated values are for select catalog numbers. Contact manufacturer for detailed information

Specifications and Dimensions subject to change without notice.

Product Dimensions



DLC QPL Data

QPL Model No.	Product ID	Technical Req.	Classification	Primary Use
LPS-BL-22LE-28/835 XE G4	PLB89M9T3ZK8	4.4	Premium	2x2 Luminaires for Ambient Lighting of Interior Commercial Spaces
LPS-BL-22LE-28/840 XE G4	PL1JSHAWXJOP	4.4	Premium	2x2 Luminaires for Ambient Lighting of Interior Commercial Spaces
LPS-BL-22LE-28/850 XE G4	PLBAH3TQ01UU	4.4	Premium	2x2 Luminaires for Ambient Lighting of Interior Commercial Spaces
LPS-BL-24LE-36/835 XE G4	PL91RY0JV1VU	4.4	Premium	2x4 Luminaires for Ambient Lighting of Interior Commercial Spaces
LPS-BL-24LE-36/840 XE G4	PLNXQMARMBGK	4.4	Premium	2x4 Luminaires for Ambient Lighting of Interior Commercial Spaces
LPS-BL-24LE-36/850 XE G4	PLFUHZ6Z7XIH	4.4	Premium	2x4 Luminaires for Ambient Lighting of Interior Commercial Spaces



© 2020 Aleo Lighting, Inc. All rights reserved. For informational purposes only. Reproduction in whole or part is prohibited without prior written consent of the copyright owner. The information presented in this document does not form part of any quotation or contract, is believed to be accurate and reliable and may be changed without notice. No liability will be accepted by the publisher for any consequences of its use. Aleo Lighting reserves the rights make changes in specification at any time without notice.

Aleo Lighting, Inc.  
 www.aleolighting.com  
 13924 Bettencourt St.  
 Cerritos, CA 90703  
 Ph: 877-358-8825