

Project	
Notes	
Type	Date
Cat. No.	

## LCP™ XE Series

## LED Square Canopy Luminaire



### DESCRIPTION

The Aleo LCP™ Series, LED Square Canopy Luminaire combines energy-efficiency, low-glare optics, and simple slim profile aesthetics to deliver enhanced performance to a range of surface-mount and recessed lighting applications. Mounting plate allows for quick and easy installation. Weather-proof compartment to withstand challenging environments.

### APPLICATIONS

Covered walkways, drive-thrus, semi-covered outdoor aisles, corridors, building canopies, large stairwells. Covers recessed openings for surface mount application. Perfect for school campuses.

### Specification Features

#### Construction

Simple, white finish powder-coated housing with advanced thermal management system ensures reliability and durability.

#### Optical System

Prismatic, square drop lens comes standard. Lens system improves safety and security by delivering high-efficiency illumination with low glare, comfortable illumination.

#### Certification

ETL Listed. DLC Premium

#### Warranty

7-year Limited Warranty. See warranty documentation for more information.

#### Electrical

Luminaire utilizes high-efficacy LED packages maintained at cool temperatures for long life, high efficacy. Reliable driver features universal voltage (120-277V) for convenient installation.

#### Installation / Mounting

Luminaire comes standard with mounting plate for quick and easy installation. Can be mounted directly to surface junction box or surface mounted via keyhole slots on mounting plate. Covers existing 12" x 12" recessed square opening.

#### Controls / Dimming

Continuous dimming (0-10V) for 20W and 36W. Suitable for use with dimmers, sensors, daylight harvesting and other control strategies to achieve deeper energy-savings and code compliance.

### LCP Series

10W, 20W, 36W

Rated Life 75,000 hours  
Limited Warranty 7-years  
Efficacy Over 110 LPW

### Quick Ship

LCP-10/50K XE  
LCP-20/50K XE  
LCP-36/50K XE



## Ordering Information

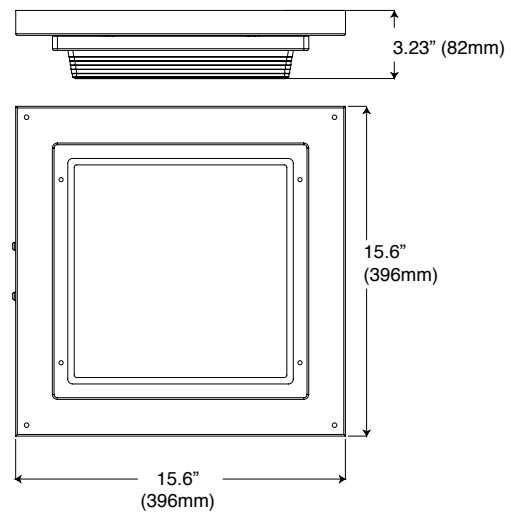
Example: LCP-10/50K XE (PSMK)

LCP	10	50K	[Blank]	[Options]	[Blank]
<b>Series</b>	<b>Nom. Wattage</b>	<b>Color Temp</b>	<b>Input Voltage</b>	<b>Accessories</b>	<b>Controls</b>
LCP	10 10W	40K 4000K	Blank	PSMK	OSDL/HF/IR
LED Square	20 20W	50K 5000K	120V-277V	Back housing enclosure	Multi-Level High Frequency
Canopy Luminaire	36 36W				Occupancy Sensor
				<b>Emergency Backup</b>	
				EM700 700 lm	
				EM1400 1400 lm	

Performance Summary

Input Voltage	120V-277V
Input Frequency	50/60 Hz
Rated Wattage	See Performance Table
Delivered Lumens	See Performance Table
Efficacy	> 110 LPW (typ.)
CRI	80+, R9 > 0
Available CCT <sup>1</sup>	4000K, 5000K
Rated Life	50,000 hours
Power Factor	> 0.9
THD	< 20%
Operating Temp.	-20°C to 50°C

Product Dimensions

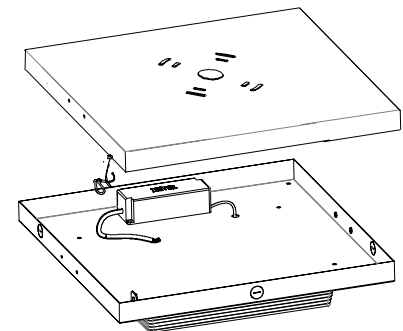


Performance Data

Catalog No.	Rated Wattage (W)	4000K		5000K	
		Delivered Lumens (lm)	Efficacy (lm/W)	Delivered Lumens (lm)	Efficacy (lm/W)
LCP-10/xxK XE	9.7	1135.9	115.74	1186	121.38
LCP-20/xxK XE	18	2205.6	120.79	2360	131.11
LCP-36/xxK XE	36	4144.6	117.26	4442	122.71

LCP-PSMK-Housing

Back Housing Accessory for LCP (10W/20W), for Surface and Pendant Mount, White Finish



DLC QPL Data

QPL Model No.	Product ID	Technical Req.	Classification	Primary Use
LCP-10/40K XE	PLQEJWK1A16D	4.3	Premium	Stairwell and Passageway Luminaires
LCP-10/50K XE	PLNLQ0RGAVGU	4.3	Premium	Stairwell and Passageway Luminaires
LCP-20/40K XE	PLYMMB5N8GGC	4.3	Premium	Stairwell and Passageway Luminaires
LCP-20/50K XE	PLK2XA2JYBQD	4.3	Premium	Stairwell and Passageway Luminaires
LCP-36/40K XE	PL80XZNIYB97	4.4	Premium	Stairwell and Passageway Luminaires
LCP-36/50K XE	PLPCLSD2R917	4.4	Premium	Stairwell and Passageway Luminaires



Specifications and Dimensions subject to change without notice.

**aleo**<sup>TM</sup>  
LED LIGHTING

© 2019 Aleo Lighting, Inc. All rights reserved. For informational purposes only. Reproduction in whole or part is prohibited without prior written consent of the copyright owner. The information presented in this document does not form part of any quotation or contract, is believed to be accurate and reliable and may be changed without notice. No liability will be accepted by the publisher for any consequences of its use. Aleo Lighting reserves the rights make changes in specification at any time without notice.

Aleo Lighting, Inc.  
www.aleoighting.com  
13924 Bettencourt St.  
Cerritos, CA 90703  
Ph: 877-358-8825